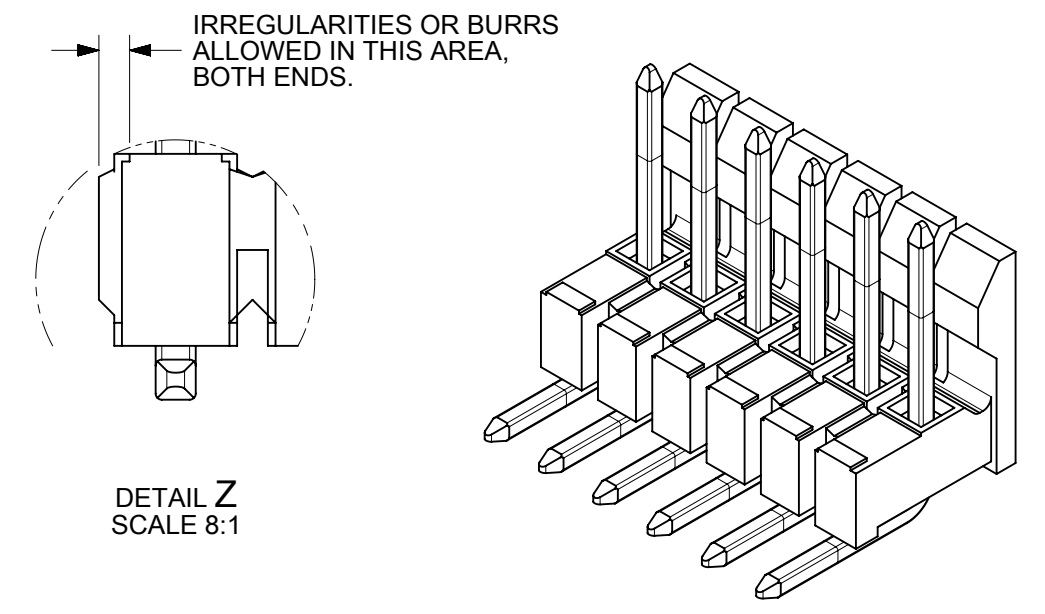
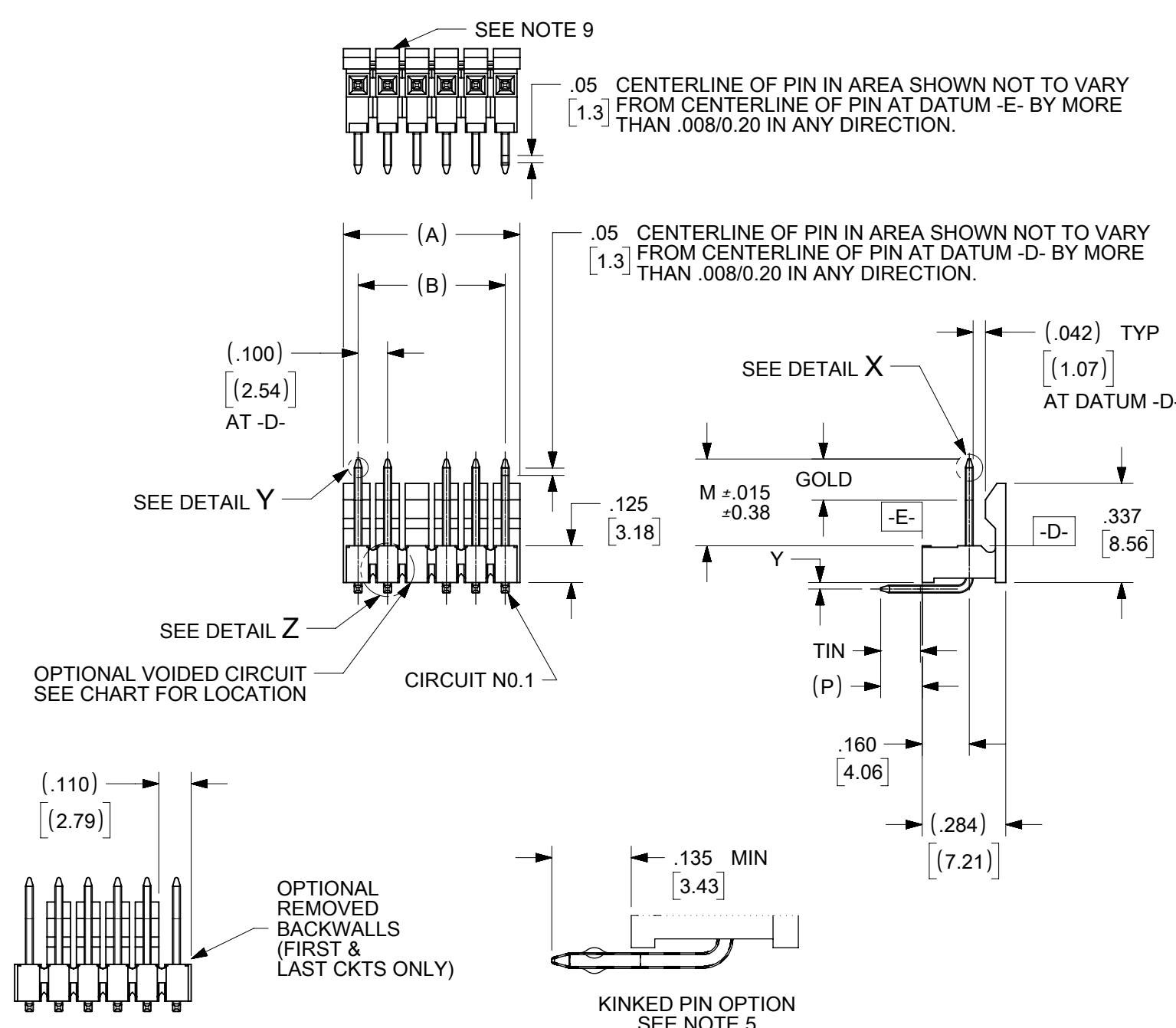
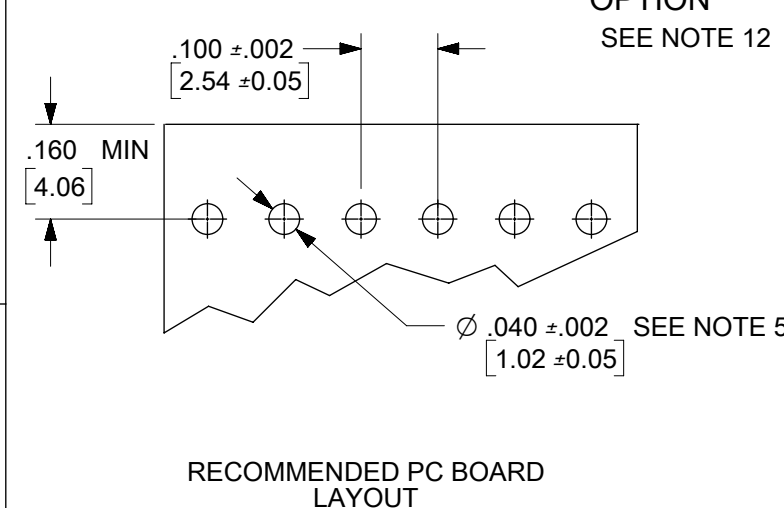
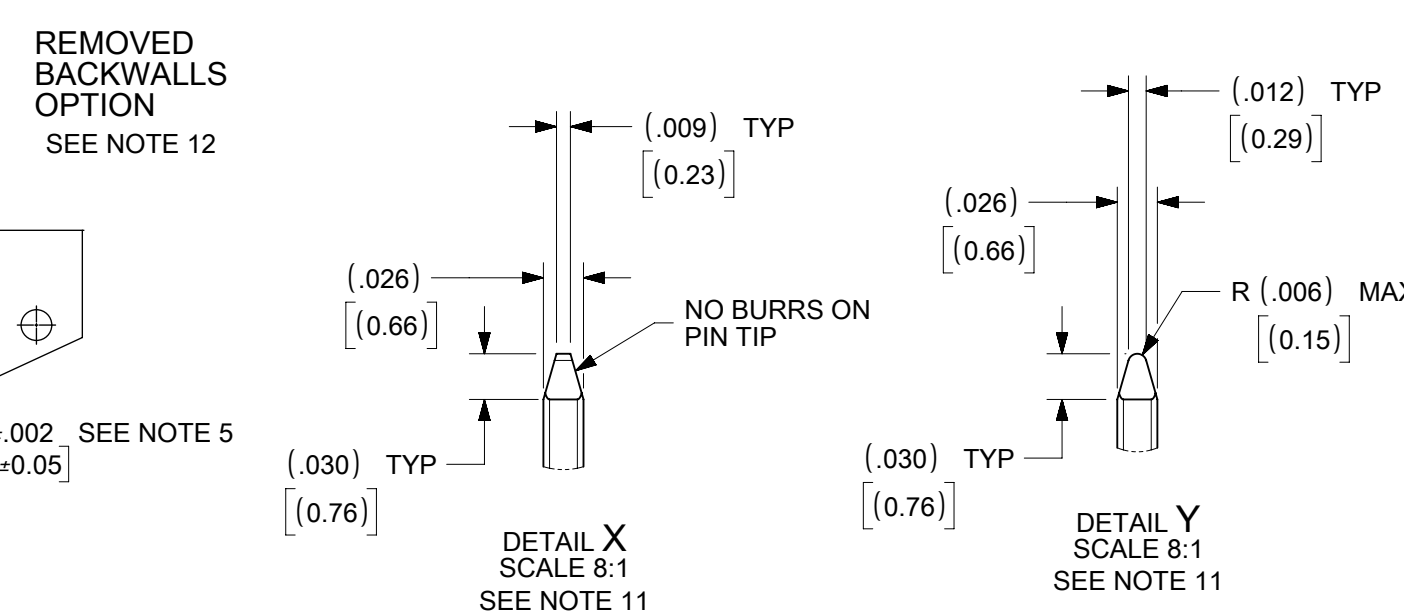
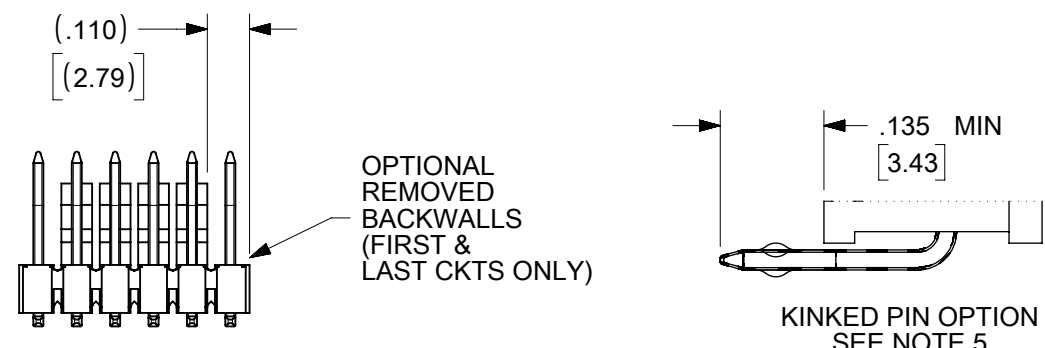


CKTS	DIM A	DIM B
2	.200/5.08	.100/2.54
3	.300/7.62	.200/5.08
4	.400/10.16	.300/7.62
5	.500/12.70	.400/10.16
6	.600/15.24	.500/12.70
7	.700/17.78	.600/15.24
8	.800/20.32	.700/17.78
9	.900/22.86	.800/20.32
10	1.000/25.40	.900/22.86
11	1.100/27.94	1.000/25.40
12	1.200/30.48	1.100/27.94
13	1.300/33.02	1.200/30.48
14	1.400/35.56	1.300/33.02
15	1.500/38.10	1.400/35.56
16	1.600/40.64	1.500/38.10
17	1.700/43.18	1.600/40.64
18	1.800/45.72	1.700/43.18
19	1.900/48.26	1.800/45.72
20	2.000/50.80	1.900/48.26
21	2.100/53.34	2.000/50.80
22	2.200/55.88	2.100/53.34
23	2.300/58.42	2.200/55.88
24	2.400/60.96	2.300/58.42
25	2.500/63.50	2.400/60.96
26	2.600/66.04	2.500/63.50
27	2.700/68.58	2.600/66.04
28	2.800/71.12	2.700/68.58
29	2.900/73.66	2.800/71.12
30	3.000/76.20	2.900/73.66
31	3.100/78.74	3.000/76.20
32	3.200/81.28	3.100/78.74
33	3.300/83.82	3.200/81.28
34	3.400/86.36	3.300/83.82
35	3.500/88.90	3.400/86.36
36	3.600/91.44	3.500/88.90



- NOTES:
- MATERIAL: GLASS FILLED NYLON, 94V-0, COLOR: BLACK
 - FINISH:
 - (154) OVERALL TIN: .000100/0.00254 MIN, OVER .000050/0.00127 MIN NICKEL.
 - (208) SELECT GOLD: .000015/0.00038 MIN, SELECT TIN: .000100/0.00254 MIN, OVERALL NICKEL UNDERPLATE: .000050/0.00127 MIN.
 - (228) SELECT GOLD: .000030/0.00076 MIN, SELECT TIN: .000100/0.00254 MIN, OVERALL NICKEL UNDERPLATE: .000050/0.00127 MIN.
 - PRODUCT SPECIFICATION: PS-10-07.
 - PACKAGING INFORMATION: SEE TABLES
 - KINK PIN OPTION NOT RECOMMENDED FOR 2 CIRCUIT PARTS. HOLE SIZE MAY NEED TO BE ADJUSTED ON 2 CIRCUIT PARTS WITH KINK OPTION FOR PROPER INSERTION INTO THE PCB. SEE SMES-42003 OR SMES-43703-0000 FOR ADDITIONAL INFORMATION ON KINK PIN DIRECTION AND PLACEMENT.
 - HEADERS ARE NOT STACKABLE ON .100/2.54 CENTERS.
 - SOLDERABILITY PER SMES-152.
 - PIN PUSH OUT FORCE: 3 LBS. MIN.
 - ABRASION MARKS ON BACK WALL SURFACE ARE PERMISSIBLE.
 - PARTS CONFORM TO CLASS 'B' REQUIREMENTS OF COSMETIC SPECIFICATION PS-45499-002.
 - PIN TIP DIMENSIONS ARE SHOWN FOR REFERENCE ONLY. DIMENSIONS APPLY PRIOR TO PLATING OR ASSEMBLY.
 - FIRST AND LAST CIRCUIT BACKWALLS MUST BE REMOVED WHEN MATING TO A PART WITH POLARIZING RIBS.



SYMBOLS		THIS DRAWING CONTAINS INFORMATION THAT IS PROPRIETARY TO MOLEX ELECTRONIC TECHNOLOGIES, LLC AND SHOULD NOT BE USED WITHOUT WRITTEN PERMISSION	
		DIMENSION UNITS	SCALE
▽ = 0	in/mm	2:1	
▽ = 0	GENERAL TOLERANCES (UNLESS SPECIFIED)		
▽ = 0		MM	INCH
▽ = 0	4 PLACES ±		
▽ = 0	3 PLACES ±		± 0.01
▽ = 0	2 PLACES ±	0.25	
▽ = 0	1 PLACE ±	0.36	
▽ = 0	0 PLACES ±		
▽ = 0	ANGULAR TOL	± 0.5°	
▽ = 0	DRAFT WHERE APPLICABLE MUST REMAIN WITHIN DIMENSIONS		
▽ = 0	THIRD ANGLE PROJECTION	DRAWING	SERIES
▽ = 0		B-SIZE	42228

CURRENT REV DESC: NEW PIN ADDED			
molex			
.100 FRICTION LOCK BREAKAWAY HEADER ASSY			
EC NO: 605734	DRWN: SS06	2018/09/21	
CHK'D: ISHWARG	2018/10/11		
APPR: ISHWARG	2018/10/11		
PRODUCT CUSTOMER DRAWING			
DOCUMENT NUMBER		DOC TYPE	DOC PART
SD-42228-002		PSD	001
		REVISION	L7
MATERIAL NUMBER	CUSTOMER	SHEET NUMBER	
SEE CHART	GENERAL MARKET	1 OF 6	

DOCUMENT STATUS	P1	RELEASE DATE	2018/10/11	05:21:29
-----------------	----	--------------	------------	----------

A-42228-0213/0246					
HEADER NUMBER:		41411			
PIN NUMBER:		154			
PIN LENGTH: L		.705/17.91			
MATING LENGTH: M		.295/7.49			
GOLD POINT: G		N/A			
PC TAIL LENGTH: P		.120/3.05			
TIN: T		OVERALL			
DIMENSION Y		.022/0.56			
CKTS:		3-36			
KINKS:		NO			
REMOVED BACKWALLS:		YES			
VOIDED CKTS:		NONE			
PACKAGING:		BULK, PER PK-40873-0056			
CKTS	MATERIAL NUMBER	ENG NUMBER	CKTS	MATERIAL NUMBER	ENG NUMBER
2			20	22-28-1206	A-42228-0230
3	22-28-1036	A-42228-0213	21	22-28-1216	A-42228-0231
4	22-28-1046	A-42228-0214	22	22-28-1226	A-42228-0232
5	22-28-1056	A-42228-0215	23	22-28-1236	A-42228-0233
6	22-28-1066	A-42228-0216	24	22-28-1246	A-42228-0234
7	22-28-1076	A-42228-0217	25	22-28-1256	A-42228-0235
8	22-28-1086	A-42228-0218	26	22-28-1266	A-42228-0236
9	22-28-1096	A-42228-0219	27	22-28-1276	A-42228-0237
10	22-28-1106	A-42228-0220	28	22-28-1286	A-42228-0238
11	22-28-1116	A-42228-0221	29	22-28-1296	A-42228-0239
12	22-28-1126	A-42228-0222	30	22-28-1306	A-42228-0240
13	22-28-1136	A-42228-0223	31	22-28-1316	A-42228-0241
14	22-28-1146	A-42228-0224	32	22-28-1326	A-42228-0242
15	22-28-1156	A-42228-0225	33	22-28-1336	A-42228-0243
16	22-28-1166	A-42228-0226	34	22-28-1346	A-42228-0244
17	22-28-1176	A-42228-0227	35	22-28-1356	A-42228-0245
18	22-28-1186	A-42228-0228	36	22-28-1366	A-42228-0246
19	22-28-1196	A-42228-0229			

A-42228-0248/0281					
HEADER NUMBER:		41411			
PIN NUMBER:		208			
PIN LENGTH: L		.705/17.91			
MATING LENGTH: M		.295/7.49			
GOLD POINT: G		.140/3.56			
PC TAIL LENGTH: P		.120/3.05			
TIN: T		.135/3.43			
DIMENSION Y		.022/0.56			
CKTS:		3-36			
KINKS:		NO			
REMOVED BACKWALLS:		YES			
VOIDED CKTS:		NONE			
PACKAGING:		BULK, PER PK-40873-0056			
CKTS	MATERIAL NUMBER	ENG NUMBER	CKTS	MATERIAL NUMBER	ENG NUMBER
2			20	22-28-1207	A-42228-0265
3	22-28-1037	A-42228-0248	21	22-28-1217	A-42228-0266
4	22-28-1047	A-42228-0249	22	22-28-1227	A-42228-0267
5	22-28-1057	A-42228-0250	23	22-28-1237	A-42228-0268
6	22-28-1067	A-42228-0251	24	22-28-1247	A-42228-0269
7	22-28-1077	A-42228-0252	25	22-28-1257	A-42228-0270
8	22-28-1087	A-42228-0253	26	22-28-1267	A-42228-0271
9	22-28-1097	A-42228-0254	27	22-28-1277	A-42228-0272
10	22-28-1107	A-42228-0255	28	22-28-1287	A-42228-0273
11	22-28-1117	A-42228-0256	29	22-28-1297	A-42228-0274
12	22-28-1127	A-42228-0257	30	22-28-1307	A-42228-0275
13	22-28-1137	A-42228-0258	31	22-28-1317	A-42228-0276
14	22-28-1147	A-42228-0259	32	22-28-1327	A-42228-0277
15	22-28-1157	A-42228-0260	33	22-28-1337	A-42228-0278
16	22-28-1167	A-42228-0261	34	22-28-1347	A-42228-0279
17	22-28-1177	A-42228-0262	35	22-28-1357	A-42228-0280
18	22-28-1187	A-42228-0263	36	22-28-1367	A-42228-0281
19	22-28-1197	A-42228-0264			

<p>DOCUMENT STATUS P1 RELEASE DATE 2018/10/11 05:21:29</p>						<p>THIS DRAWING CONTAINS INFORMATION THAT IS PROPRIETARY TO MOLEX ELECTRONIC TECHNOLOGIES, LLC AND SHOULD NOT BE USED WITHOUT WRITTEN PERMISSION</p>																							
<p>SYMBOLS</p> <p>▽ = 0</p> <p>▽ = 0</p> <p>▽ = 0</p> <p>▽ = 0</p> <p>▽ = 0</p> <p>▽ = 0</p> <p>▽ = 0</p> <p>▽ = 0</p> <p>▽ = 0</p> <p>▽ = 0</p> <p>▽ = 0</p>			<p>DIMENSION UNITS</p> <p>in/mm</p>			<p>SCALE</p> <p>1:1</p>			<p>CURRENT REV DESC: NEW PN ADDED</p>																				
<p>GENERAL TOLERANCES (UNLESS SPECIFIED)</p> <table border="1"> <thead> <tr> <th></th> <th>MM</th> <th>INCH</th> </tr> </thead> <tbody> <tr> <td>4 PLACES</td> <td>±</td> <td>±</td> </tr> <tr> <td>3 PLACES</td> <td>±</td> <td>± 0.01</td> </tr> <tr> <td>2 PLACES</td> <td>± 0.25</td> <td>±</td> </tr> <tr> <td>1 PLACE</td> <td>± 0.36</td> <td>±</td> </tr> <tr> <td>0 PLACES</td> <td>±</td> <td>±</td> </tr> </tbody> </table>							MM	INCH	4 PLACES	±	±	3 PLACES	±	± 0.01	2 PLACES	± 0.25	±	1 PLACE	± 0.36	±	0 PLACES	±	±	<p>EC NO: 605734</p> <p>DRWN: SS06 2018/09/21</p> <p>CHK'D: ISHWARG 2018/10/11</p> <p>APPR: ISHWARG 2018/10/11</p>			<p>molex</p> <p>.100 FRICTION LOCK BREAKAWAY HEADER ASSY</p>		
	MM	INCH																											
4 PLACES	±	±																											
3 PLACES	±	± 0.01																											
2 PLACES	± 0.25	±																											
1 PLACE	± 0.36	±																											
0 PLACES	±	±																											
<p>INITIAL REVISION:</p> <p>DRWN: JSCHAFFER 2004/03/18</p> <p>APPR: MARGULIS 2004/03/18</p>						<p>PRODUCT CUSTOMER DRAWING</p>			<p>DOCUMENT NUMBER DOC TYPE DOC PART REVISION</p> <p>SD-42228-002 PSD 001 L7</p>																				
<p>DRAFT WHERE APPLICABLE MUST REMAIN WITHIN DIMENSIONS</p>			<p>THIRD ANGLE PROJECTION</p>			<p>DRAWING</p> <p>B-SIZE</p>			<p>SERIES</p> <p>42228</p>																				
<p>SEE CHART</p>			<p>CUSTOMER</p> <p>GENERAL MARKET</p>			<p>SHEET NUMBER</p> <p>2 OF 6</p>																							

A-42228-0283/0316					
F HEADER NUMBER:		41411			
PIN NUMBER:		228			
PIN LENGTH: L		.705/17.91			
MATING LENGTH: M		.295/7.49			
GOLD POINT: G		.140/3.56			
PC TAIL LENGTH: P		.120/3.05			
TIN: T		.135/3.43			
DIMENSION Y		.022/0.56			
E CKTS:		3-36			
KINKS:		NO			
REMOVED BACKWALLS:		YES			
VOIDED CKTS:		NONE			
PACKAGING:		BULK, PER PK-40873-0056			
CKTS	MATERIAL NUMBER	ENG NUMBER	CKTS	MATERIAL NUMBER	ENG NUMBER
2			20	22-28-1208	A-42228-0300
3	22-28-1038	A-42228-0283	21	22-28-1218	A-42228-0301
4	22-28-1048	A-42228-0284	22	22-28-1228	A-42228-0302
5	22-28-1058	A-42228-0285	23	22-28-1238	A-42228-0303
6	22-28-1068	A-42228-0286	24	22-28-1248	A-42228-0304
7	22-28-1078	A-42228-0287	25	22-28-1258	A-42228-0305
8	22-28-1088	A-42228-0288	26	22-28-1268	A-42228-0306
9	22-28-1098	A-42228-0289	27	22-28-1278	A-42228-0307
10	22-28-1108	A-42228-0290	28	22-28-1288	A-42228-0308
11	22-28-1118	A-42228-0291	29	22-28-1298	A-42228-0309
12	22-28-1128	A-42228-0292	30	22-28-1308	A-42228-0310
13	22-28-1138	A-42228-0293	31	22-28-1318	A-42228-0311
14	22-28-1148	A-42228-0294	32	22-28-1328	A-42228-0312
15	22-28-1158	A-42228-0295	33	22-28-1338	A-42228-0313
16	22-28-1168	A-42228-0296	34	22-28-1348	A-42228-0314
17	22-28-1178	A-42228-0297	35	22-28-1358	A-42228-0315
18	22-28-1188	A-42228-0298	36	22-28-1368	A-42228-0316
19	22-28-1198	A-42228-0299			

A-42228-0318/0351					
F HEADER NUMBER:		41411			
PIN NUMBER:		154			
PIN LENGTH: L		.720/18.29			
MATING LENGTH: M		.295/7.49			
GOLD POINT: G		N/A			
PC TAIL LENGTH: P		.135/3.43			
TIN: T		OVERALL			
DIMENSION Y		.022/0.56			
E CKTS:		3-36			
KINKS:		YES SMES-42003			
REMOVED BACKWALLS:		YES			
VOIDED CKTS:		NONE			
PACKAGING:		BULK, PER PK-40873-0056			
CKTS	MATERIAL NUMBER	ENG NUMBER	CKTS	MATERIAL NUMBER	ENG NUMBER
2			20	22-28-1209	A-42228-0335
3	22-28-1039	A-42228-0318	21	22-28-1219	A-42228-0336
4	22-28-1049	A-42228-0319	22	22-28-1229	A-42228-0337
5	22-28-1059	A-42228-0320	23	22-28-1239	A-42228-0338
6	22-28-1069	A-42228-0321	24	22-28-1249	A-42228-0339
7	22-28-1079	A-42228-0322	25	22-28-1259	A-42228-0340
8	22-28-1089	A-42228-0323	26	22-28-1269	A-42228-0341
9	22-28-1099	A-42228-0324	27	22-28-1279	A-42228-0342
10	22-28-1109	A-42228-0325	28	22-28-1289	A-42228-0343
11	22-28-1119	A-42228-0326	29	22-28-1299	A-42228-0344
12	22-28-1129	A-42228-0327	30	22-28-1309	A-42228-0345
13	22-28-1139	A-42228-0328	31	22-28-1319	A-42228-0346
14	22-28-1149	A-42228-0329	32	22-28-1329	A-42228-0347
15	22-28-1159	A-42228-0330	33	22-28-1339	A-42228-0348
16	22-28-1169	A-42228-0331	34	22-28-1349	A-42228-0349
17	22-28-1179	A-42228-0332	35	22-28-1359	A-42228-0350
18	22-28-1189	A-42228-0333	36	22-28-1369	A-42228-0351
19	22-28-1199	A-42228-0334			

B																																																																				
A																																																																				
<table border="1"> <tr> <td>DOCUMENT STATUS</td> <td>P1</td> <td>RELEASE DATE</td> <td>2018/10/11</td> <td>05:21:29</td> <td></td> </tr> </table>						DOCUMENT STATUS	P1	RELEASE DATE	2018/10/11	05:21:29																																																										
DOCUMENT STATUS	P1	RELEASE DATE	2018/10/11	05:21:29																																																																
<table border="1"> <tr> <td>SYMBOLS</td> <td colspan="5">THIS DRAWING CONTAINS INFORMATION THAT IS PROPRIETARY TO MOLEX ELECTRONIC TECHNOLOGIES, LLC AND SHOULD NOT BE USED WITHOUT WRITTEN PERMISSION</td> </tr> <tr> <td rowspan="2"> = 0 = 0 = 0 = 0 = 0 = 0 = 0 = 0 = 0 </td> <td colspan="2"> DIMENSION UNITS in/mm </td> <td colspan="3"> SCALE 1:1 </td> </tr> <tr> <td colspan="5"> GENERAL TOLERANCES (UNLESS SPECIFIED) <table border="1"> <tr> <th></th> <th>MM</th> <th>INCH</th> </tr> <tr> <td>4 PLACES</td> <td>±</td> <td>±</td> </tr> <tr> <td>3 PLACES</td> <td>±</td> <td>± 0.01</td> </tr> <tr> <td>2 PLACES</td> <td>± 0.25</td> <td>±</td> </tr> <tr> <td>1 PLACE</td> <td>± 0.36</td> <td>±</td> </tr> <tr> <td>0 PLACES</td> <td>±</td> <td>±</td> </tr> </table> </td> </tr> <tr> <td colspan="2"> CURRENT REV DESC: NEW PN ADDED </td> <td colspan="4"> <table border="1"> <tr> <td colspan="2">molex</td> </tr> <tr> <td colspan="2">.100 FRICTION LOCK BREAKAWAY HEADER ASSY</td> </tr> <tr> <td colspan="2">PRODUCT CUSTOMER DRAWING</td> </tr> <tr> <td>DOCUMENT NUMBER</td> <td>DOC TYPE DOC PART REVISION</td> </tr> <tr> <td>SD-42228-002</td> <td>PSD 001 L7</td> </tr> </table> </td> </tr> <tr> <td colspan="2"> EC NO: 605734 DRWN: SS06 2018/09/21 CHK'D: ISHWARG 2018/10/11 APPR: ISHWARG 2018/10/11 </td> <td colspan="4"> INITIAL REVISION: DRWN: JSCHAFFER 2004/03/18 APPR: MARGULIS 2004/03/18 </td> </tr> <tr> <td colspan="2"> DRAFT WHERE APPLICABLE MUST REMAIN WITHIN DIMENSIONS </td> <td> THIRD ANGLE PROJECTION </td> <td> DRAWING B-SIZE </td> <td> SERIES 42228 </td> <td> MATERIAL NUMBER CUSTOMER SHEET NUMBER SEE CHART GENERAL MARKET 3 OF 6 </td> </tr> </table>						SYMBOLS	THIS DRAWING CONTAINS INFORMATION THAT IS PROPRIETARY TO MOLEX ELECTRONIC TECHNOLOGIES, LLC AND SHOULD NOT BE USED WITHOUT WRITTEN PERMISSION					= 0 = 0 = 0 = 0 = 0 = 0 = 0 = 0 = 0	DIMENSION UNITS in/mm		SCALE 1:1			GENERAL TOLERANCES (UNLESS SPECIFIED) <table border="1"> <tr> <th></th> <th>MM</th> <th>INCH</th> </tr> <tr> <td>4 PLACES</td> <td>±</td> <td>±</td> </tr> <tr> <td>3 PLACES</td> <td>±</td> <td>± 0.01</td> </tr> <tr> <td>2 PLACES</td> <td>± 0.25</td> <td>±</td> </tr> <tr> <td>1 PLACE</td> <td>± 0.36</td> <td>±</td> </tr> <tr> <td>0 PLACES</td> <td>±</td> <td>±</td> </tr> </table>						MM	INCH	4 PLACES	±	±	3 PLACES	±	± 0.01	2 PLACES	± 0.25	±	1 PLACE	± 0.36	±	0 PLACES	±	±	CURRENT REV DESC: NEW PN ADDED		<table border="1"> <tr> <td colspan="2">molex</td> </tr> <tr> <td colspan="2">.100 FRICTION LOCK BREAKAWAY HEADER ASSY</td> </tr> <tr> <td colspan="2">PRODUCT CUSTOMER DRAWING</td> </tr> <tr> <td>DOCUMENT NUMBER</td> <td>DOC TYPE DOC PART REVISION</td> </tr> <tr> <td>SD-42228-002</td> <td>PSD 001 L7</td> </tr> </table>				molex		.100 FRICTION LOCK BREAKAWAY HEADER ASSY		PRODUCT CUSTOMER DRAWING		DOCUMENT NUMBER	DOC TYPE DOC PART REVISION	SD-42228-002	PSD 001 L7	EC NO: 605734 DRWN: SS06 2018/09/21 CHK'D: ISHWARG 2018/10/11 APPR: ISHWARG 2018/10/11		INITIAL REVISION: DRWN: JSCHAFFER 2004/03/18 APPR: MARGULIS 2004/03/18				DRAFT WHERE APPLICABLE MUST REMAIN WITHIN DIMENSIONS		THIRD ANGLE PROJECTION 	DRAWING B-SIZE	SERIES 42228	MATERIAL NUMBER CUSTOMER SHEET NUMBER SEE CHART GENERAL MARKET 3 OF 6
SYMBOLS	THIS DRAWING CONTAINS INFORMATION THAT IS PROPRIETARY TO MOLEX ELECTRONIC TECHNOLOGIES, LLC AND SHOULD NOT BE USED WITHOUT WRITTEN PERMISSION																																																																			
= 0 = 0 = 0 = 0 = 0 = 0 = 0 = 0 = 0	DIMENSION UNITS in/mm		SCALE 1:1																																																																	
	GENERAL TOLERANCES (UNLESS SPECIFIED) <table border="1"> <tr> <th></th> <th>MM</th> <th>INCH</th> </tr> <tr> <td>4 PLACES</td> <td>±</td> <td>±</td> </tr> <tr> <td>3 PLACES</td> <td>±</td> <td>± 0.01</td> </tr> <tr> <td>2 PLACES</td> <td>± 0.25</td> <td>±</td> </tr> <tr> <td>1 PLACE</td> <td>± 0.36</td> <td>±</td> </tr> <tr> <td>0 PLACES</td> <td>±</td> <td>±</td> </tr> </table>						MM	INCH	4 PLACES	±	±	3 PLACES	±	± 0.01	2 PLACES	± 0.25	±	1 PLACE	± 0.36	±	0 PLACES	±	±																																													
	MM	INCH																																																																		
4 PLACES	±	±																																																																		
3 PLACES	±	± 0.01																																																																		
2 PLACES	± 0.25	±																																																																		
1 PLACE	± 0.36	±																																																																		
0 PLACES	±	±																																																																		
CURRENT REV DESC: NEW PN ADDED		<table border="1"> <tr> <td colspan="2">molex</td> </tr> <tr> <td colspan="2">.100 FRICTION LOCK BREAKAWAY HEADER ASSY</td> </tr> <tr> <td colspan="2">PRODUCT CUSTOMER DRAWING</td> </tr> <tr> <td>DOCUMENT NUMBER</td> <td>DOC TYPE DOC PART REVISION</td> </tr> <tr> <td>SD-42228-002</td> <td>PSD 001 L7</td> </tr> </table>				molex		.100 FRICTION LOCK BREAKAWAY HEADER ASSY		PRODUCT CUSTOMER DRAWING		DOCUMENT NUMBER	DOC TYPE DOC PART REVISION	SD-42228-002	PSD 001 L7																																																					
molex																																																																				
.100 FRICTION LOCK BREAKAWAY HEADER ASSY																																																																				
PRODUCT CUSTOMER DRAWING																																																																				
DOCUMENT NUMBER	DOC TYPE DOC PART REVISION																																																																			
SD-42228-002	PSD 001 L7																																																																			
EC NO: 605734 DRWN: SS06 2018/09/21 CHK'D: ISHWARG 2018/10/11 APPR: ISHWARG 2018/10/11		INITIAL REVISION: DRWN: JSCHAFFER 2004/03/18 APPR: MARGULIS 2004/03/18																																																																		
DRAFT WHERE APPLICABLE MUST REMAIN WITHIN DIMENSIONS		THIRD ANGLE PROJECTION 	DRAWING B-SIZE	SERIES 42228	MATERIAL NUMBER CUSTOMER SHEET NUMBER SEE CHART GENERAL MARKET 3 OF 6																																																															

A-42228-0422/0454					
F HEADER NUMBER:		41411			
PIN NUMBER:		228			
PIN LENGTH: L		.705/17.91			
MATING LENGTH: M		.295/7.49			
GOLD POINT: G		.140/3.56			
PC TAIL LENGTH: P		.120/3.05			
TIN: T		.135/3.43			
DIMENSION Y		.022/0.56			
E CKTS:		3-36			
KINKS:		NO			
REMOVED BACKWALLS:		YES			
VOIDED CKTS:		3			
PACKAGING:		BULK, PER PK-40873-0056			
CKTS	MATERIAL NUMBER	ENG NUMBER	CKTS	MATERIAL NUMBER	ENG NUMBER
2			20		A-42228-0439
3		A-42228-0422	21		A-42228-0440
4	22-29-1041	A-42228-0423	22		A-42228-0441
5		A-42228-0424	23		A-42228-0442
6		A-42228-0425	24		A-42228-0443
7		A-42228-0426	25		A-42228-0444
8		A-42228-0427	26		A-42228-0445
9		A-42228-0428	27		A-42228-0446
10		A-42228-0429	28		A-42228-0447
11		A-42228-0430	29		A-42228-0448
12		A-42228-0431	30		A-42228-0449
13		A-42228-0432	31		A-42228-0450
14		A-42228-0433	32		A-42228-0451
15		A-42228-0434	33		A-42228-0452
16		A-42228-0435	34		A-42228-0453
17		A-42228-0436	35		A-42228-0454
18		A-42228-0437	36		A-42228-0455
19		A-42228-0438			

A-42228-0456/0490					
F HEADER NUMBER:		41411			
PIN NUMBER:		208			
PIN LENGTH: L		.720/18.29			
MATING LENGTH: M		.295/7.49			
GOLD POINT: G		.140/3.56			
PC TAIL LENGTH: P		.135/3.43			
TIN: T		.135/3.43			
DIMENSION Y		.022/0.56			
E CKTS:		2-36			
KINKS:		YES SMES-42003			
REMOVED BACKWALLS:		NO			
VOIDED CKTS:		2			
PACKAGING:		BULK, PER PK-40873-0056			
CKTS	MATERIAL NUMBER	ENG NUMBER	CKTS	MATERIAL NUMBER	ENG NUMBER
2		A-42228-0456	20	22-29-1204	A-42228-0474
3	22-29-1034	A-42228-0457	21	22-29-1214	A-42228-0475
4	22-29-1044	A-42228-0458	22	22-29-1224	A-42228-0476
5	22-29-1054	A-42228-0459	23	22-29-1234	A-42228-0477
6	22-29-1064	A-42228-0460	24	22-29-1244	A-42228-0478
7	22-29-1074	A-42228-0461	25	22-29-1254	A-42228-0479
8	22-29-1084	A-42228-0462	26	22-29-1264	A-42228-0480
9	22-29-1094	A-42228-0463	27	22-29-1274	A-42228-0481
10	22-29-1104	A-42228-0464	28	22-29-1284	A-42228-0482
11	22-29-1114	A-42228-0465	29	22-29-1294	A-42228-0483
12	22-29-1124	A-42228-0466	30	22-29-1304	A-42228-0484
13	22-29-1134	A-42228-0467	31	22-29-1314	A-42228-0485
14	22-29-1144	A-42228-0468	32	22-29-1324	A-42228-0486
15	22-29-1154	A-42228-0469	33	22-29-1334	A-42228-0487
16	22-29-1164	A-42228-0470	34	22-29-1344	A-42228-0488
17	22-29-1174	A-42228-0471	35	22-29-1354	A-42228-0489
18	22-29-1184	A-42228-0472	36	22-29-1364	A-42228-0490
19	22-29-1194	A-42228-0473			

B					
A					
DOCUMENT STATUS	P1	RELEASE DATE	2018/10/11	05:21:29	

SYMBOLS						THIS DRAWING CONTAINS INFORMATION THAT IS PROPRIETARY TO MOLEX ELECTRONIC TECHNOLOGIES, LLC AND SHOULD NOT BE USED WITHOUT WRITTEN PERMISSION					
DIMENSION UNITS		SCALE		CURRENT REV DESC: NEW PN ADDED							
in/mm		1:1		<p>molex</p> <p>.100 FRICTION LOCK BREAKAWAY HEADER ASSY</p> <p>PRODUCT CUSTOMER DRAWING</p> <p>DOCUMENT NUMBER: SD-42228-002 DOC TYPE: PSD DOC PART: 001 REVISION: L7</p> <p>MATERIAL NUMBER: SEE CHART CUSTOMER: GENERAL MARKET SHEET NUMBER: 4 OF 6</p>							
GENERAL TOLERANCES (UNLESS SPECIFIED)											
4 PLACES ±		MM								INCH	
3 PLACES ±		0.25								0.01	
2 PLACES ±		0.36								0.01	
1 PLACE ±		0.5°		ANGULAR TOL ±							
DRAFT WHERE APPLICABLE MUST REMAIN WITHIN DIMENSIONS		THIRD ANGLE PROJECTION		DRAWING		SERIES		MATERIAL NUMBER		CUSTOMER	
		B-SIZE		42228		SEE CHART		GENERAL MARKET		4 OF 6	

A-42228-0491/0524					
HEADER NUMBER:		41411			
PIN NUMBER:		154			
PIN LENGTH: L		.720/18.29			
MATING LENGTH: M		.295/7.49			
GOLD POINT: G		N/A			
PC TAIL LENGTH: P		.135/3.43			
TIN: T		OVERALL			
DIMENSION Y		.022/0.56			
CKTS:		3-36			
KINKS:		YES SMES-43703-0000			
REMOVED BACKWALLS:		YES			
VOIDED CKTS:		NONE			
PACKAGING:		BULK, PER PK-40873-0056			
CKTS	MATERIAL NUMBER	ENG NUMBER	CKTS	MATERIAL NUMBER	ENG NUMBER
2			20		A-42228-0508
3		A-42228-0491	21		A-42228-0509
4	42228-0492	A-42228-0492	22		A-42228-0510
5	42228-0493	A-42228-0493	23		A-42228-0511
6	42228-0494	A-42228-0494	24		A-42228-0512
7	42228-0495	A-42228-0495	25		A-42228-0513
8		A-42228-0496	26		A-42228-0514
9		A-42228-0497	27		A-42228-0515
10		A-42228-0498	28		A-42228-0516
11	42228-0499	A-42228-0499	29		A-42228-0517
12		A-42228-0500	30		A-42228-0518
13		A-42228-0501	31		A-42228-0519
14		A-42228-0502	32		A-42228-0520
15		A-42228-0503	33		A-42228-0521
16		A-42228-0504	34		A-42228-0522
17		A-42228-0505	35		A-42228-0523
18		A-42228-0506	36		A-42228-0524
19		A-42228-0507			

A-42228-0525/0537					
HEADER NUMBER:		41411			
PIN NUMBER:		154			
PIN LENGTH: L		.720/18.29			
MATING LENGTH: M		.295/7.49			
GOLD POINT: G		N/A			
PC TAIL LENGTH: P		.135/3.43			
TIN: T		OVERALL			
DIMENSION Y		.022/0.56			
CKTS:		24-36			
KINKS:		YES SMES-42003			
REMOVED BACKWALLS:		NO			
VOIDED CKTS:		5,7,11,13,16,20,24			
PACKAGING:		BULK, PER PK-40873-0056			
CKTS	MATERIAL NUMBER	ENG NUMBER	CKTS	MATERIAL NUMBER	ENG NUMBER
2			20		
3			21		
4			22		
5			23		
6			24	42228-0525	A-42228-0525
7			25	42228-0526	A-42228-0526
8			26	42228-0527	A-42228-0527
9			27	42228-0528	A-42228-0528
10			28	42228-0529	A-42228-0529
11			29	42228-0530	A-42228-0530
12			30	42228-0531	A-42228-0531
13			31	42228-0532	A-42228-0532
14			32	42228-0533	A-42228-0533
15			33	42228-0534	A-42228-0534
16			34	42228-0535	A-42228-0535
17			35	42228-0536	A-42228-0536
18			36	42228-0537	A-42228-0537
19					

<p>SYMBOLS</p> <p>THIS DRAWING CONTAINS INFORMATION THAT IS PROPRIETARY TO MOLEX ELECTRONIC TECHNOLOGIES, LLC AND SHOULD NOT BE USED WITHOUT WRITTEN PERMISSION</p> <p>CURRENT REV DESC: NEW PIN ADDED</p>						<p>molex</p> <p>.100 FRICTION LOCK BREAKAWAY HEADER ASSY</p> <p>PRODUCT CUSTOMER DRAWING</p>																					
<p>GENERAL TOLERANCES (UNLESS SPECIFIED)</p> <table border="1"> <thead> <tr> <th></th> <th>MM</th> <th>INCH</th> </tr> </thead> <tbody> <tr> <td>4 PLACES ±</td> <td></td> <td></td> </tr> <tr> <td>3 PLACES ±</td> <td></td> <td>± 0.01</td> </tr> <tr> <td>2 PLACES ±</td> <td>0.25</td> <td></td> </tr> <tr> <td>1 PLACE ±</td> <td>0.36</td> <td></td> </tr> <tr> <td>0 PLACES ±</td> <td></td> <td></td> </tr> </tbody> </table>			MM	INCH	4 PLACES ±			3 PLACES ±		± 0.01	2 PLACES ±	0.25		1 PLACE ±	0.36		0 PLACES ±			<p>EC NO: 605734</p> <p>DRWN: SS06 2018/09/21</p> <p>CHK'D: ISHWARG 2018/10/11</p> <p>APPR: ISHWARG 2018/10/11</p>		<p>INITIAL REVISION:</p> <p>DRWN: JSCHAFFER 2004/03/18</p> <p>APPR: MARGULIS 2004/03/18</p>		<p>DOCUMENT NUMBER</p> <p>SD-42228-002</p>		<p>DOC TYPE DOC PART REVISION</p> <p>PSD 001 L7</p>	
	MM	INCH																									
4 PLACES ±																											
3 PLACES ±		± 0.01																									
2 PLACES ±	0.25																										
1 PLACE ±	0.36																										
0 PLACES ±																											
<p>ANGULAR TOL ± 0.5°</p>		<p>DRAFT WHERE APPLICABLE MUST REMAIN WITHIN DIMENSIONS</p>		<p>THIRD ANGLE PROJECTION</p>		<p>DRAWING SERIES</p> <p>B-SIZE 42228</p>		<p>MATERIAL NUMBER CUSTOMER SHEET NUMBER</p> <p>SEE CHART GENERAL MARKET 5 OF 6</p>																			
<p>DOCUMENT STATUS P1 RELEASE DATE 2018/10/11 05:21:29</p>																											

A-42228-0538/0566					
F HEADER NUMBER:		41411			
PIN NUMBER:		154			
PIN LENGTH: L		.720/18.29			
MATING LENGTH: M		.295/7.49			
GOLD POINT: G		N/A			
PC TAIL LENGTH: P		.135/3.43			
TIN: T		OVERALL			
E DIMENSION Y		.022/0.56			
CKTS:		8-36			
KINKS:		YES SMES-42003			
REMOVED BACKWALLS:		NO			
VOIDED CKTS:		8			
PACKAGING:		BULK, PER PK-40873-0056			
CKTS	MATERIAL NUMBER	ENG NUMBER	CKTS	MATERIAL NUMBER	ENG NUMBER
2			20	42228-0550	A-42228-0550
3			21	42228-0551	A-42228-0551
4			22	42228-0552	A-42228-0552
5			23	42228-0553	A-42228-0553
6			24	42228-0554	A-42228-0554
7			25	42228-0555	A-42228-0555
8	42228-0538	A-42228-0538	26	42228-0556	A-42228-0556
9	42228-0539	A-42228-0539	27	42228-0557	A-42228-0557
10	42228-0540	A-42228-0540	28	42228-0558	A-42228-0558
11	42228-0541	A-42228-0541	29	42228-0559	A-42228-0559
12	42228-0542	A-42228-0542	30	42228-0560	A-42228-0560
13	42228-0543	A-42228-0543	31	42228-0561	A-42228-0561
14	42228-0544	A-42228-0544	32	42228-0562	A-42228-0562
15	42228-0545	A-42228-0545	33	42228-0563	A-42228-0563
16	42228-0546	A-42228-0546	34	42228-0564	A-42228-0564
17	42228-0547	A-42228-0547	35	42228-0565	A-42228-0565
18	42228-0548	A-42228-0548	36	42228-0566	A-42228-0566
19	42228-0549	A-42228-0549			

SYMBOLS	THIS DRAWING CONTAINS INFORMATION THAT IS PROPRIETARY TO MOLEX ELECTRONIC TECHNOLOGIES, LLC AND SHOULD NOT BE USED WITHOUT WRITTEN PERMISSION													
	DIMENSION UNITS		SCALE		CURRENT REV DESC: NEW PN ADDED									
	in/mm		1:1		<p>molex</p> <p>.100 FRICTION LOCK BREAKAWAY HEADER ASSY</p> <p>PRODUCT CUSTOMER DRAWING</p>									
	GENERAL TOLERANCES (UNLESS SPECIFIED)										EC NO: 605734		2018/09/21	
	4 PLACES ±		±								DRWN: SS06		2018/10/11	
	3 PLACES ±		± 0.01								CHK'D: ISHWARG		2018/10/11	
	2 PLACES ±		± 0.25		APPR: ISHWARG		2018/10/11		DOCUMENT NUMBER					
	1 PLACE ±		± 0.36		INITIAL REVISION:		2004/03/18		SD-42228-002					
	0 PLACES ±		±		DRWN: JSCHAFFER		2004/03/18		PSD 001 L7					
	ANGULAR TOL ± 0.5°		±		APPR: MARGULIS		2004/03/18		REVISION					
DRAFT WHERE APPLICABLE MUST REMAIN WITHIN DIMENSIONS				THIRD ANGLE PROJECTION		DRAWING		SERIES						
						B-SIZE		42228						
						MATERIAL NUMBER		CUSTOMER						
						SEE CHART		GENERAL MARKET						
								SHEET NUMBER						
								6 OF 6						