



# 12G SDI 75 Ohm BNC Female Bulkhead Mount Connector Solder Attachment 0.062" PCB, Die Cast

## RF Connectors Technical Data Sheet

**PE40009**

### Configuration

- BNC Female Connector
- 75 Ohms
- Straight Body Geometry
- Connector Interface Types: 0.062" Board Thickness
- Bulkhead

### Features

- Max. Operating Frequency 12 GHz
- Gold Plated Brass Contact
- 10 µin contact plating
- Meets SMPTE ST 2082-1
- Backwards Compatible with 2081-1
- 12Gb/s Transmission
- Cost Effective
- Balanced Mass Distribution allows Automated Pick and Place Assembly

### Applications

- General Purpose Test
- Rack and Panel Mount Applications
- PCB Applications
- CATV
- 12G-SDI, Video, and Broadband UHDTV
- Broadband Internet Delivery
- Broadcast A/V
- 4K/8K Video Equipment
- Medical Equipment Requiring High Speed Video
- HD Cameras

### Description

Pasternack's PE40009, BNC, Standard, connector with solder attachment for 0.062" Board Thickness PCB is part of our full line of RF components available for same-day shipping. Our BNC female connector operates up to a maximum frequency of 12 GHz. This BNC bulkhead connector allows designers to create external connections on their product enclosures, and can be used in a variety of other rack mount and panel mount applications. Pasternack's 12G-SDI BNC connector PE40009 utilizes 12Gb/s data transfer rates to enable high resolution uncompressed video signal transmission. These products offer 4K and Ultra-HD quality signals that meet SMPTE Standard 2082-1. These 75 Ohm connectors are available in PCB edge-mount, straight, or right angle configurations, as well as coaxial connectors to be used in industry standard cable assemblies.

Our 75 ohm BNC female bulkhead connector PE40009 datasheet specifications and drawing with dimensions are shown below in this PDF. Pasternack's broad catalog of RF, microwave and millimeter wave connectors allows designers to configure and customize their signal connections however they like. Whether the need is to provide an I/O for a board design, or simply create a custom cable assembly configuration, Pasternack has the right connector for the job. Pasternack can also expertly build your custom cable assemblies for you and ship same-day.

### Electrical Specifications

Description	Minimum	Typical	Maximum	Units
Frequency Range	DC		12	GHz
Impedance		75		Ohms

### Mechanical Specifications

Size	
Length	1.00 in [25.40 mm]
Width	0.60 in [15.24 mm]

Click the following link (or enter part number in "SEARCH" on website) to obtain additional part information including price, inventory and certifications: [12G SDI 75 Ohm BNC Female Bulkhead Mount Connector Solder Attachment 0.062" PCB, Die Cast PE40009](#)



12G SDI 75 Ohm BNC Female Bulkhead Mount  
Connector Solder Attachment 0.062" PCB, Die Cast

**RF Connectors**  
**Technical Data Sheet**

**PE40009**

Height	0.60 in [15.24 mm]
Weight	0.05 lbs [22.68 g]

**Material Specifications**

Description	Material	Plating
Contact	Brass	Gold 10 µin
Outer Conductor	Zinc	Nickel 100 µin minimum
Body	Zinc	Nickel 100 µin minimum
Washer	Brass	

**Environmental Specifications**

**Compliance Certifications** (see [product page](#) for current document)

**Plotted and Other Data**

Notes:

12G SDI 75 Ohm BNC Female Bulkhead Mount Connector Solder Attachment 0.062" PCB, Die Cast from Pasternack Enterprises has same day shipment for domestic and International orders. Our RF, microwave and millimeter wave products maintain a 99.4% availability and are part of the broadest selection in the industry.

Click the following link (or enter part number in "SEARCH" on website) to obtain additional part information including price, inventory and certifications: [12G SDI 75 Ohm BNC Female Bulkhead Mount Connector Solder Attachment 0.062" PCB, Die Cast PE40009](#)

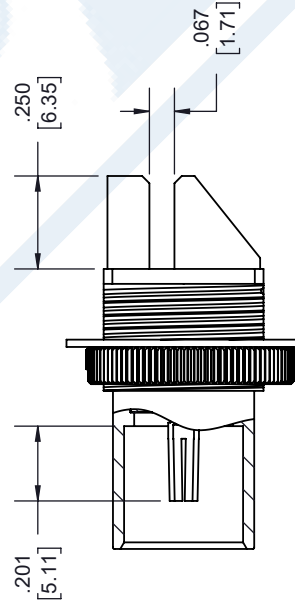
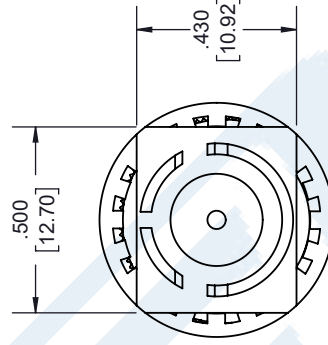
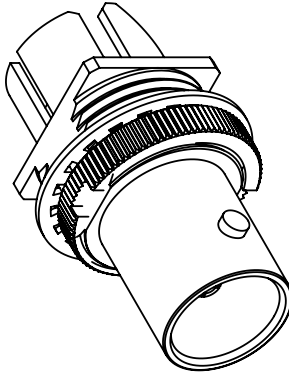
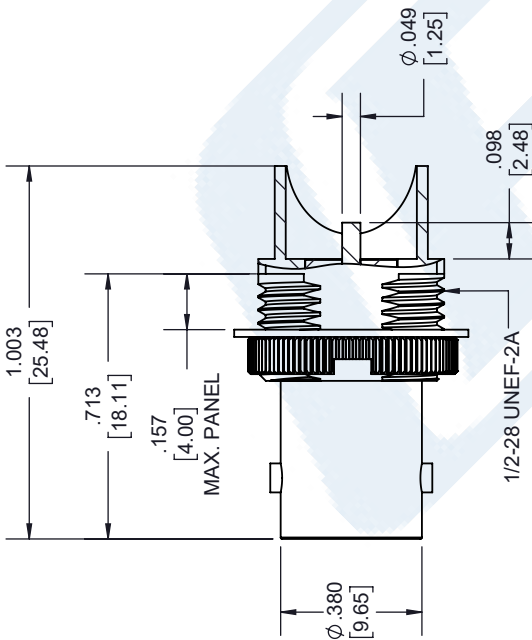
URL: <https://www.pasternack.com/bnc-female-0.062-inch-pcb-pcb-connector-pe40009-p.aspx>

The information contained in this document is accurate to the best of our knowledge and representative of the part described herein. It may be necessary to make modifications to the part and/or the documentation of the part, in order to implement improvements. Pasternack reserves the right to make such changes as required. Unless otherwise stated, all specifications are nominal. Pasternack does not make any representation or warranty regarding the suitability of the part described herein for any particular purpose, and Pasternack does not assume any liability arising out of the use of any part or documentation.

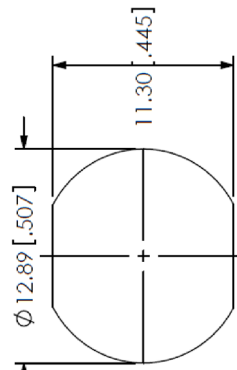
# PE4009 CAD Drawing

12G SDI 75 Ohm BNC Female Bulkhead Mount Connector  
Solder Attachment 0.062" PCB, Die Cast

REVISIONS		
REV.	DESCRIPTION	DATE
A	INITIAL RELEASE	12/10/2021
		APPROVED
		A. GANWANI



**RECOMMENDED MOUNTING HOLE**  
4.00 [1.57] MAX PANEL THICKNESS



MM [INCH]

UNLESS OTHERWISE SPECIFIED  
LEADING DIMENSIONS ARE INCHES  
DIMENSIONS IN [ ] ARE MILLIMETERS

TOLERANCES:

X = ±.2	[5.08]	FRACTIONS
.XX = ±.02	[.51]	±.132
.XXX = ±.005	[.13]	ANGLES ± 1°

CABLE LENGTH (L) TOLERANCES:

L ≤ 12 [305]	= +1 [25] / -0
12 [305] < L ≤ 60 [1524]	= +2 [51] / -0
60 [1524] < L ≤ 120 [3048]	= +4 [102] / -0
120 [3048] < L ≤ 300 [7620]	= +6 [152] / -0
300 [7620] < L = +5% L / -0	

ALL DIMENSIONS SHOWN  
ARE FOR REFERENCE ONLY.

THIRD-ANGLE PROJECTION

THE INFORMATION AND  
DESIGN IN THIS DOCUMENT  
IS THE PROPERTY OF  
PASTERNAK CORPORATION  
ALL RIGHTS RESERVED.

SHEET 1 OF 2

SCALE N/A

**PE PASTERNAK**  
an INFINITO brand

Pasternack Enterprises, Inc.  
P.O. Box 16759, Irvine, CA 92623  
Phone: 1.949.261.1920 | 1.866.727.8376  
Fax: 1.949.261.7451  
Website: www.pasternack.com  
E-mail: sales@pasternack.com

SIZE A CAGE CODE A53919 DRAWN BY K.DANG ITEM NO. PE40009 REV A

THESE COMMODITIES, TECHNOLOGY OR SOFTWARE WERE EXPORTED FROM THE UNITED STATES IN ACCORDANCE WITH THE EXPORT ADMINISTRATION REGULATIONS. DIVERSION CONTRARY TO U.S. LAW PROHIBITED.