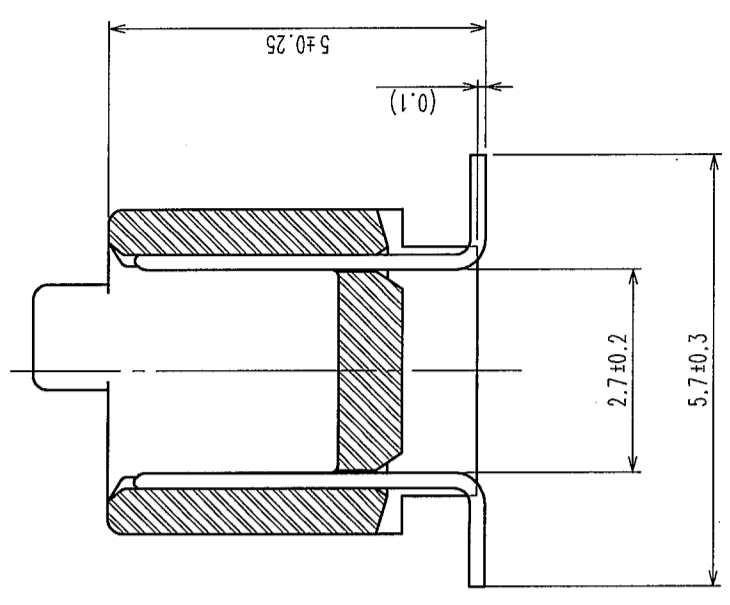


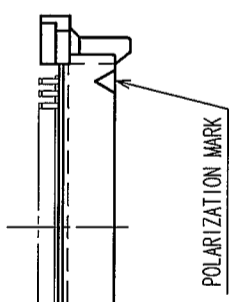
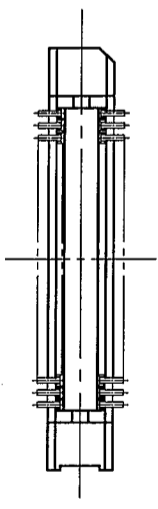
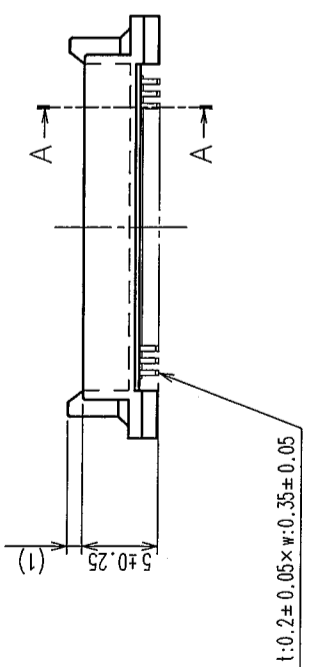
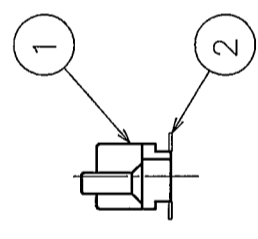
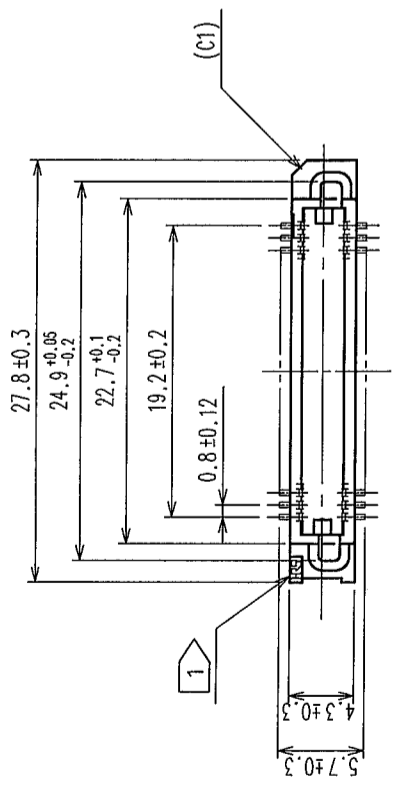
COUNT	DESCRIPTION OF REVISIONS	BY	CHKD	DATE	COUNT	DESCRIPTION OF REVISIONS	BY	CHKD	DATE
△									
△									
△									

A-A(10:1)

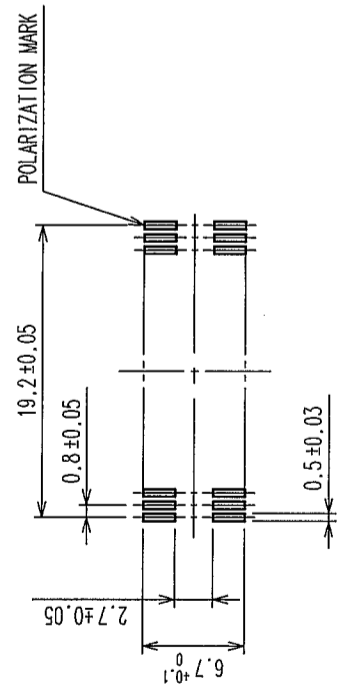


HRS DRAWING FOR REFERENCE

- NOTE
- 1 HRS MARK SHALL BE OPTIONAL.
  - 2 LEAD CO-PLANARITY SHALL BE 0.1mm MAX.
  - 3 THE DIMENSIONS IN PARENTHESES ARE FOR REFERENCE.
  - 4 EMBOSSED CARRIER TAPE PACKAGING SHALL BE APPLIED FOR THIS PRODUCT.
  - 5 THIS PRODUCT HAS TAPE FOR VACUUM PICKUP.
  - 6 SEE NEXT PAGE FOR DETAIL OF STICKING POSITION, ETC. FOR MODIFICATION, ETC. PREVENTIVE HOLE FOR SINK MARK MAY BE ADDED ACCORDING TO CIRCUMSTANCES.

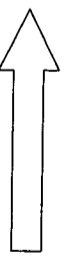


RECOMMENDED P.C.B. LAND PATTERN (MOUNT SIDE)

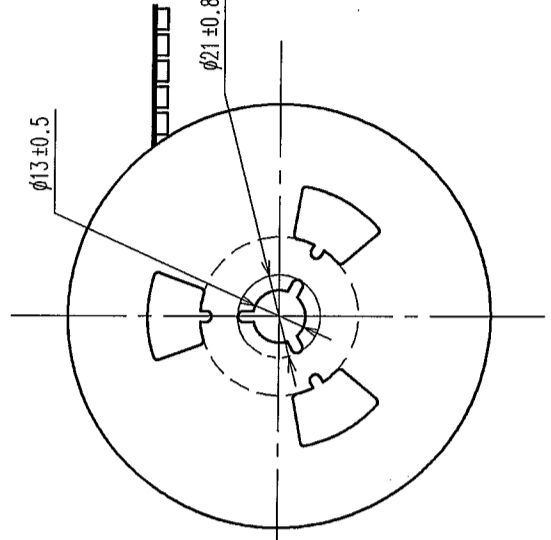
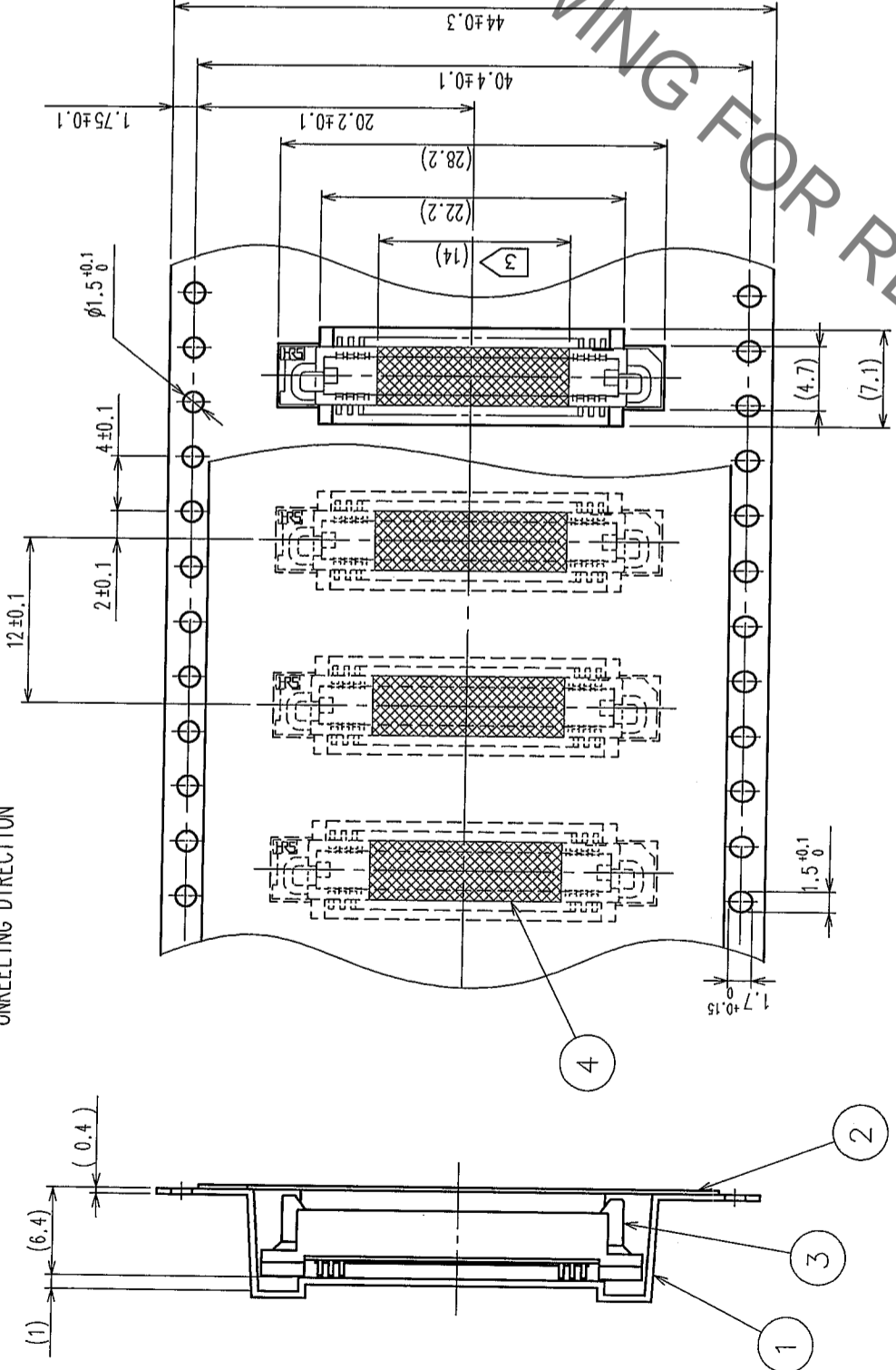


1	POLYPHENYLENE SULFIDE	LIGHT BROWN	UL94V-0	2	PHOSPHOR BRONZE				
NO.	MATERIAL	FINISH, REMARKS	NO.	MATERIAL	FINISH, REMARKS	DESIGNED	CHECKED	APPROVED	RELEASED
CL						Y. AOYAGI '05.09.15	K. Oyama '05.09.26	H. Kawa '05.09.26	
DRAWING NO. EDC3-071643-23				PART NO. FX6A-50P-0.8SV1(93)					
SCALE 2:1				CODE NO. CL576-0224-8-93					
UNITS mm				HRS HIROSE ELECTRIC CO., LTD					

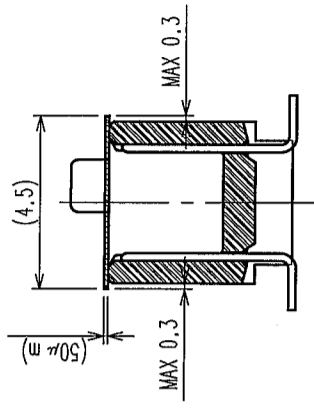
COUNT	DESCRIPTION OF REVISIONS	BY	CHKD	DATE	COUNT	DESCRIPTION OF REVISIONS	BY	CHKD	DATE



UNREELING DIRECTION

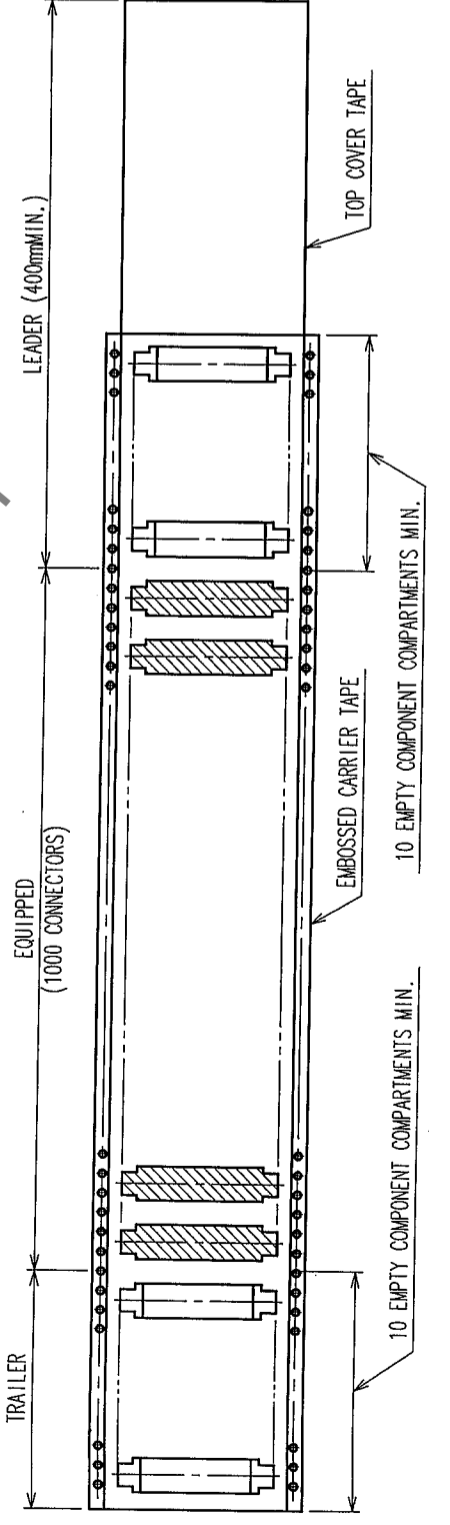


REEL DIMENSION (FREE)



DETAIL OF TAPE FOR VACUUM PICKUP (5:1)

- NOTE 1 THE DIMENSIONS IN PARENTHESES ARE FOR REFERENCE.  
 2 1 REEL : 1000 CONNECTORS  
 3 REMOVE THE VACUUM PICK-UP TAPE AFTER MOUNTING THE CONNECTOR.



NO.	MATERIAL	FINISH, REMARKS	NO.	MATERIAL	FINISH, REMARKS
2	POLYESTER	TOP COVER TAPE	4	POLYIMIDE	TAPE FOR VACUUM PICKUP (CONNECTOR)
1	POLYSTYRENE	EMBOSSED CARRIER TAPE	3		

CODE NO. (OLD)	CL	DRAWN	DESIGNED	CHECKED	APPROVED	RELEASED
		Y. AOYAGI	<i>K. Mada</i>	<i>K. Oyamane</i>	<i>K. Okawa</i>	
		'05.09.15	'05.09.26	'05.09.26	'05.09.26	

DRAWING NO.	PART NO.
EDC3-071643-23	FX6A-50P-0.8SV1(93)

SCALE	UNITS
2 : 1	mm



HIROSE ELECTRIC CO., LTD

CL576-0224-8-93