



ANATECH ELECTRONICS INC
RF & Microwave Filters & Products

5200 MHz LC Bandpass Filter

Part Number: AE5200B6455



Electrical Specifications

Center Frequency: 5200 MHz
Passband: <0.5 dB @ 5000 MHz to 5400 MHz
VSWR: 1.5:1
Insertion Loss: <1 dB @ 5000 MHz to 5400 MHz
Impedance: 50 Ohms
Rejection: > 60 dB @ 4200 MHz
Rejection: > 30 dB @ 4700 MHz
Rejection: > 30 dB @ 5700 MHz
Rejection: > 60 dB @ 6200 MHz

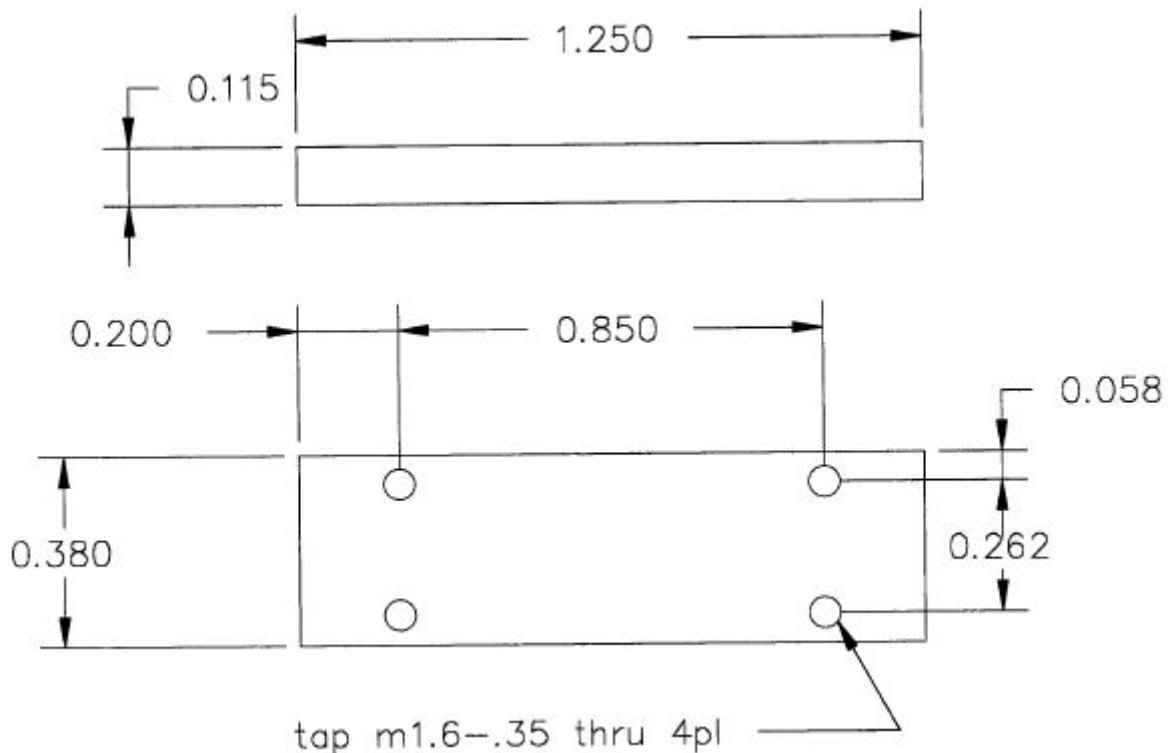
Mechanical

Mounting Method: Through Holes
Dimensions: 1.25" X 0.38" x 0.38" in.

Environmental

Operating Temperature: -25°C to +70°C
Storage Temperature: -40°C to +90°C
Shock: 10 G. 11ms
Vibration: 10 G. 5 to 200Hz

Outline Drawing:





ANATECH ELECTRONICS INC
RF & Microwave Filters & Products

5200 MHz LC Bandpass Filter

Part Number: AE5200B6455



Response Plot:

Freq. (MHz)	ATT (dB)	SPEC	Flatness
4200	94.465	60	
4700	46.51	30	
5000	1.10	(0.5)	0.24
5200	0.86	1	0.00
5400	1.06	(0.5)	0.20
5700	85.25	30	
6200	69.06	60	

