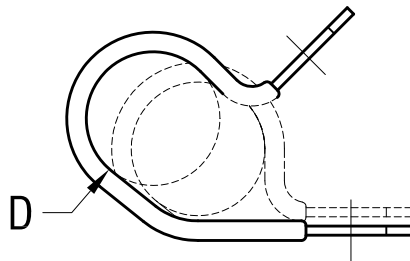
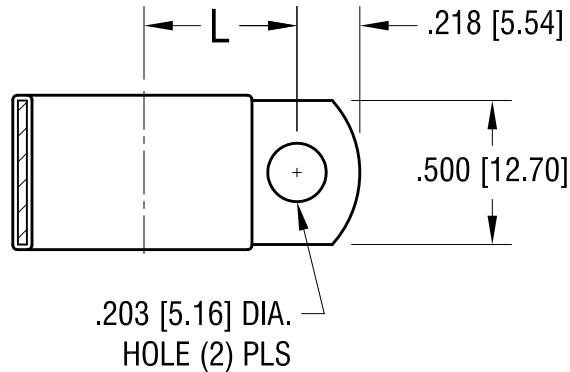


THIS DOCUMENT IS THE PROPERTY OF
KEYSTONE ELECTRONICS CORP. AND
SHALL NOT BE REPRODUCED, DISTRIBUTED
OR USED AS A BASIS FOR MANUFACTURE
WITHOUT PRIOR WRITTEN PERMISSION
FROM KEYSTONE ELECTRONICS CORP.



| | |
|--------------|--------------|
| 'L' DIM. | 'D' FOR DIA. |
| .594 [15.09] | .562 [14.27] |

| | | | |
|---|--------------------------|-----------------|---|
| KEYSTONE ELECTRONICS CORP. | | | |
| www.keyelco.com • ASTORIA, N.Y. 11105-2017 • Tel (718) 956-8900 | | | |
| PART NAME INSULATED STEEL CABLE CLAMP | | | |
| MATERIAL .032 [.81] TH'K STEEL, BLACK VINYL | | | |
| FINISH ZINC PLATE CLEAR CHROMATE | | DRN BY BOONE | DATE 10.20.99 |
| | | APP'D LN | SCALE NONE |
| DATE 10.18.06 | CHANGE AS PER ECN 06-070 | REV. A | TOLERANCES INCH [MM] DECIMAL ± .010 [± 0.25] ANGULAR ± 1° UNLESS OTHERWISE SPECIFIED |
| | | | CODE C |
| | | | DWG NO. 8127 |

| | | |
|----------|--------------------------|------|
| DATE | DESCRIPTION | REV. |
| 10.18.06 | CHANGE AS PER ECN 06-070 | A |