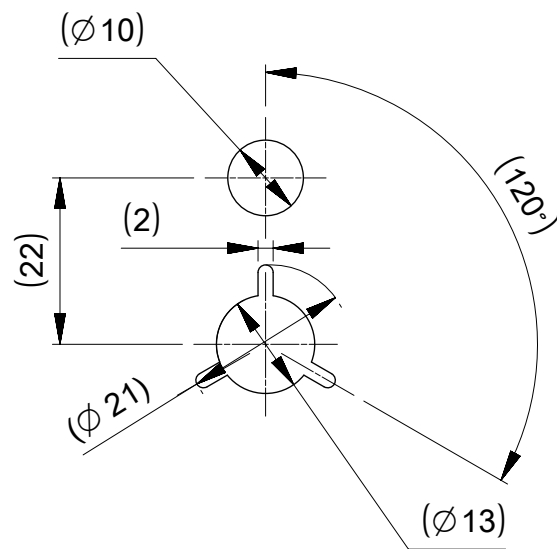
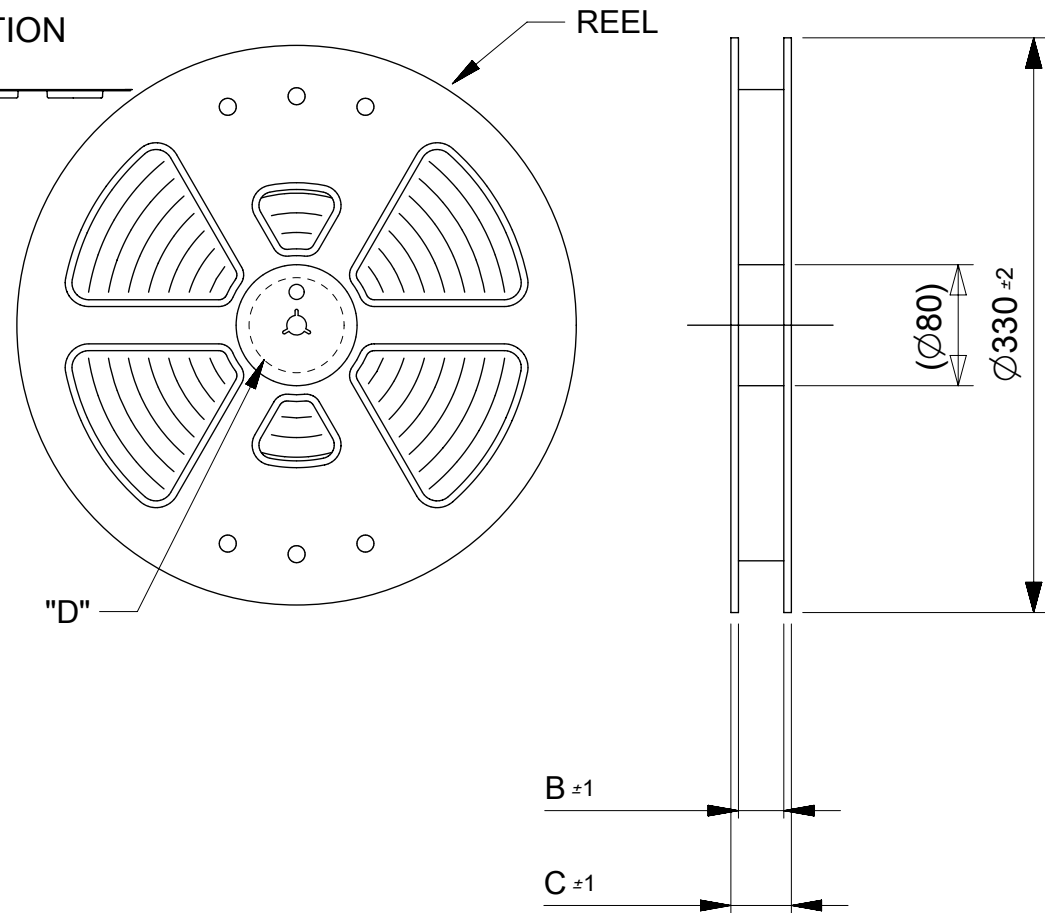


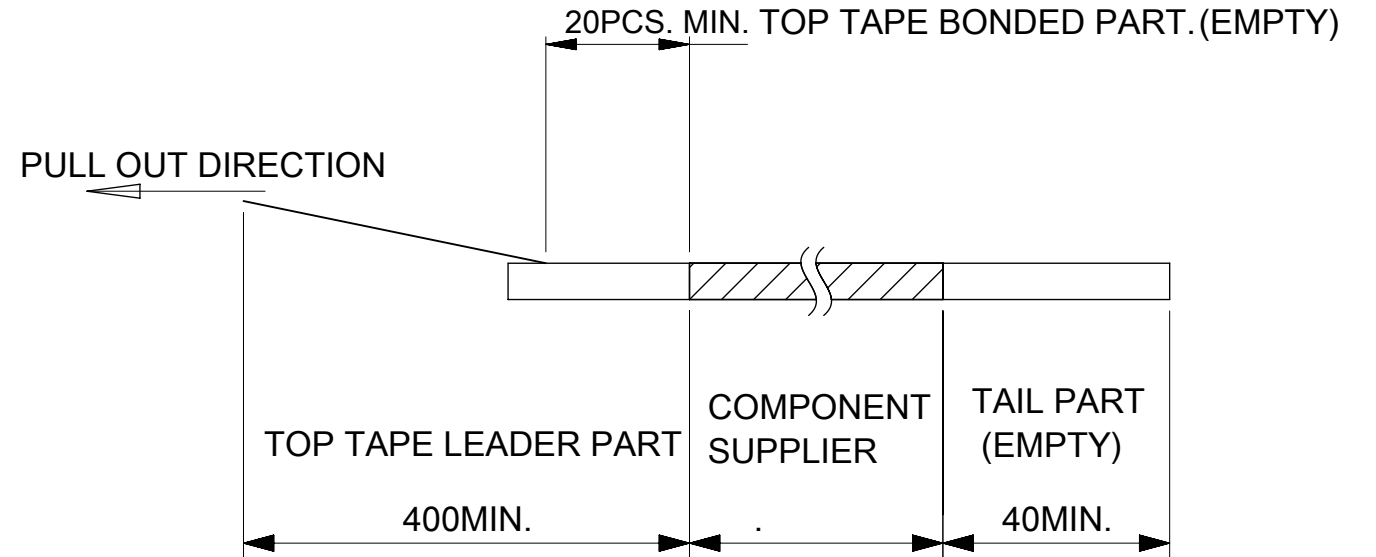
PULL OUT DIRECTION



DETAIL "D"

NOTES

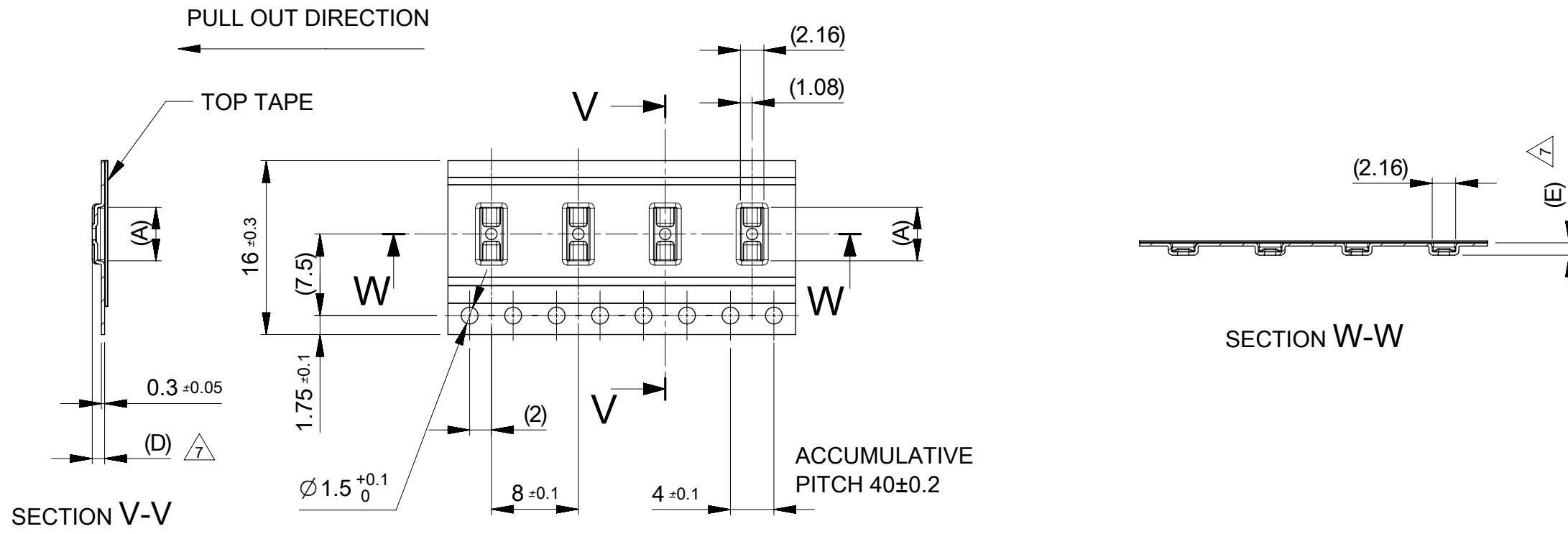
- RE DETAILED DIMENSION, SEE PRODUCT DRAWING.
- NUMBER OF CONNECTORS : 6000 PCS/REEL.
- LEAD TAPE LENGTH.



- TOP TAPE PEEL FORCE IS DEFINED BY IEC60286-3
 - MATERIAL
CARRER TAPE :POLYSTYRENE
TOP TAPE :PET , OTHER
REEL :POLYSTYRENE(PS)(RECYCLE MATERIAL CONTAINED)
 - ELV AND RoHS COMPLIANT
- △ Only 6 circuit is different in this dimension.

MODEL NO. 505070-**20

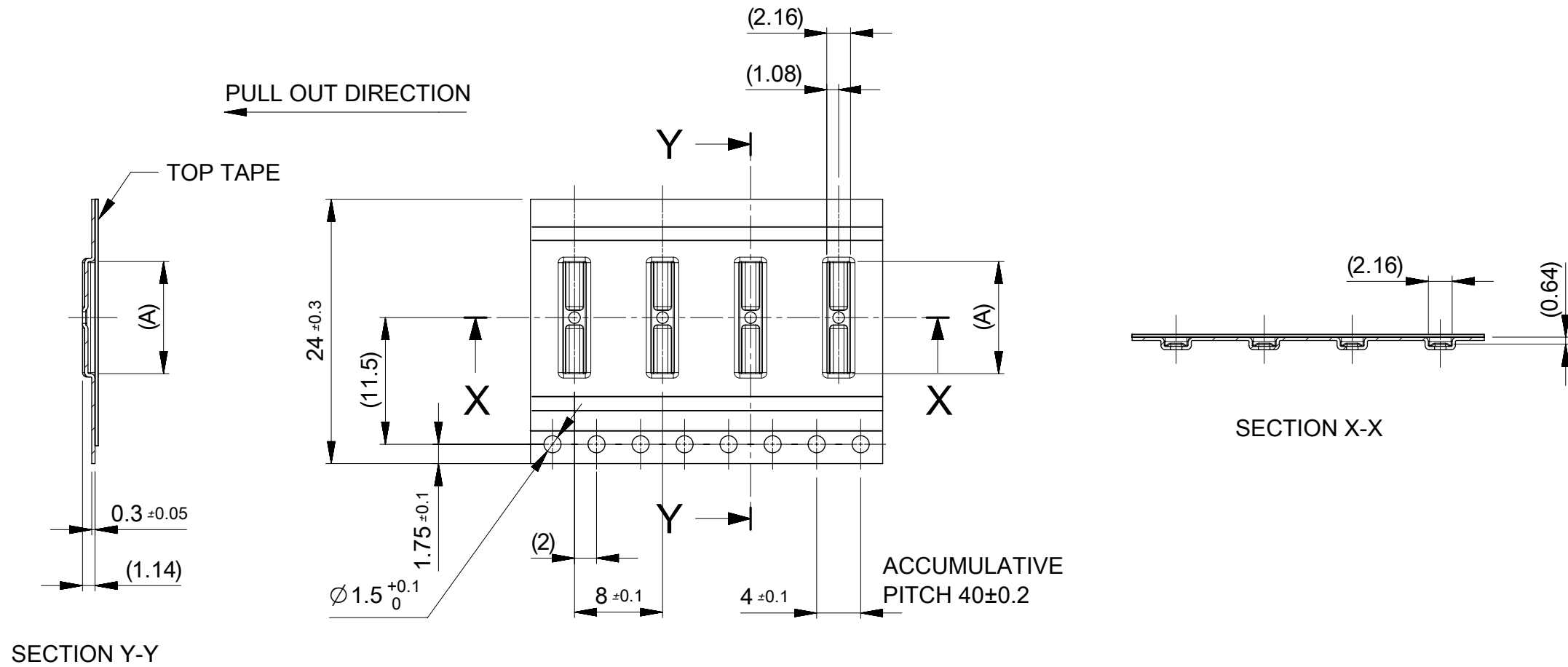
THIS DRAWING CONTAINS INFORMATION THAT IS PROPRIETARY TO MOLEX ELECTRONIC TECHNOLOGIES, LLC AND SHOULD NOT BE USED WITHOUT WRITTEN PERMISSION									
REVISED	EC NO: 110631	2016/11/17	GENERAL TOLERANCES (UNLESS SPECIFIED)		DIMENSION UNITS	SCALE	molex [®]		
	DRWN: TSOMEYA	2016/11/28	ANGULAR TOL ± 1.0 °		MM	1:5			
	CHK'D: KTANAKA03	2016/11/28	4 PLACES	± 0.01	DRWN BY	DATE	0.35 BB CONN. SSB6 RP PLUG EMBSTP PKG		
	APP: TKUSUHARA01		3 PLACES	± 0.03	STERUKI	2016/03/23			
			2 PLACES	± 0.05	CHK'D BY	DATE	PRODUCT CUSTOMER DRAWING		
			1 PLACE	± 0.1	KTANAKA03	2016/04/01			
		0 PLACES	± 0.2	APPR BY	DATE	SERIES	MATERIAL NUMBER	CUSTOMER	
		DRAFT WHERE APPLICABLE MUST REMAIN WITHIN DIMENSIONS		DRAWING SIZE	THIRD ANGLE PROJECTION	505070	SEE CHART	GENERAL	
B		A3				DOCUMENT NUMBER	DOC TYPE	DOC PART	SHEET NUMBER
						5050700000	PSD	001	1 OF 3



16	0.64	1.14	21.4	17.4	6.68	505070-3020	○	---	30	
					5.63	505070-2420	○	---	24	
					5.28	505070-2220	○	---	22	
					4.93	505070-2020	○	---	20	
					4.58	505070-1820	---	---	18	
					4.23	505070-1620	○	---	16	
					3.88	505070-1420	○	---	14	
					3.53	505070-1220	○	---	12	
					3.18	505070-1020	○	---	10	
					2.78	505070-0820	---	○	8	
	0.66	1.16			2.43	505070-0620	○	---	6	
キャリアテープ幅 CARRIER TAPE WIDTH		(E)	(D)	C	B	(A)	MATERIAL No.	HIGH VOL. TOOL	LOW VOL. TOOL	CIRCUIT
								SAMPLE PREPARATION		

THIS DRAWING CONTAINS INFORMATION THAT IS PROPRIETARY TO MOLEX ELECTRONIC TECHNOLOGIES, LLC AND SHOULD NOT BE USED WITHOUT WRITTEN PERMISSION

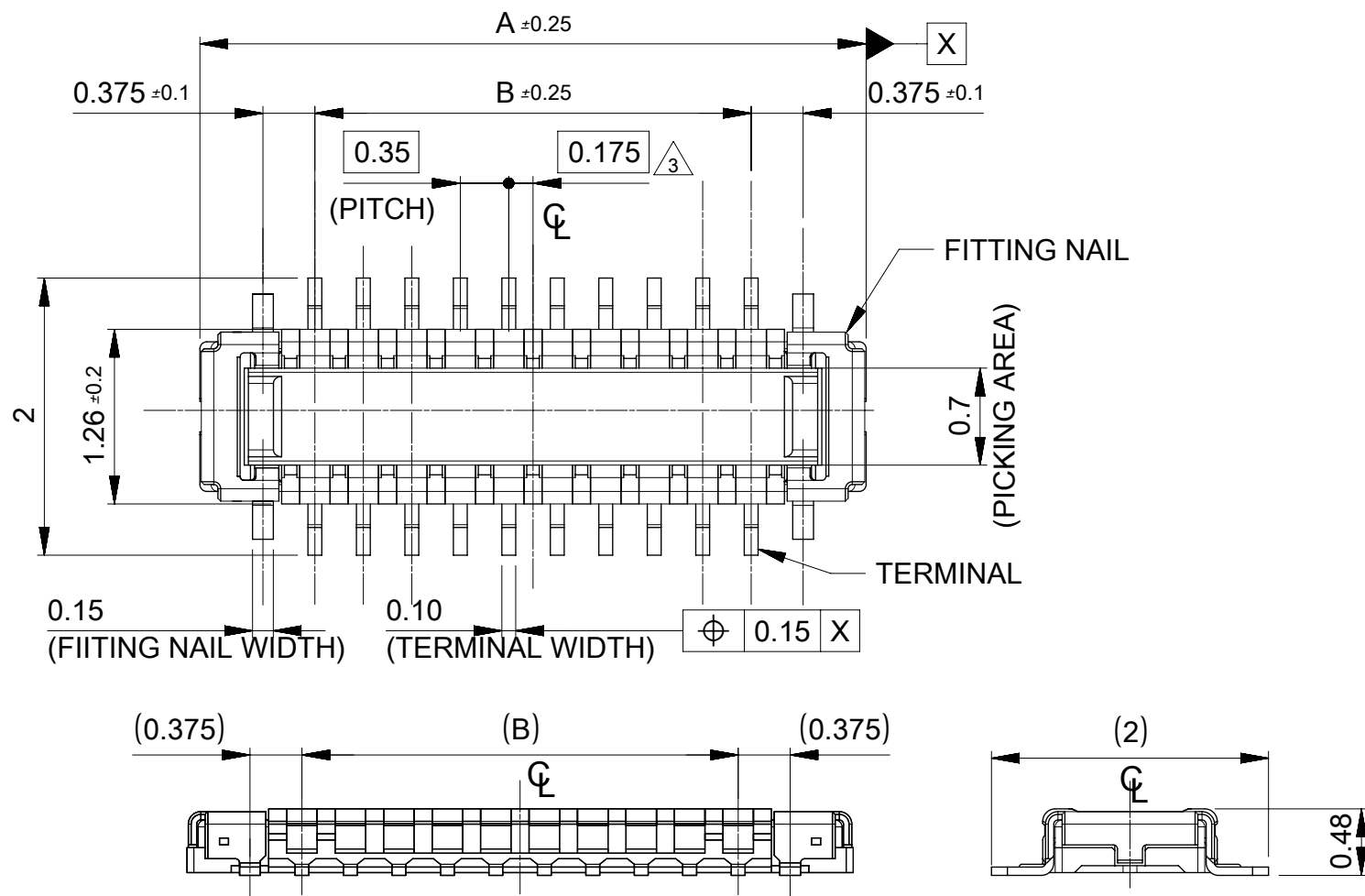
EC NO: 110631 DRWN: TSOMEYA CHK'D: KTANAKA03 APPR: TKUSUHARA01	2016/11/17	2016/11/28	2016/11/28	GENERAL TOLERANCES (UNLESS SPECIFIED) ANGULAR TOL ± 1.0 ° 4 PLACES ± 0.01 3 PLACES ± 0.03 2 PLACES ± 0.05 1 PLACE ± 0.1 0 PLACES ± 0.2 DRAFT WHERE APPLICABLE MUST REMAIN WITHIN DIMENSIONS	DIMENSION UNITS	SCALE				
	REVISOR	DATE	DATE		MM	2:1				
	STERUKI	2016/03/23	KTANAKA03		2016/04/01	DRWN BY		DATE		
	KMORIKAWA	2016/04/01	KTANAKA03		2016/04/01	CHK'D BY		DATE		
						APPR BY		DATE		
				DRAWING SIZE	THIRD ANGLE PROJECTION	PRODUCT CUSTOMER DRAWING				
				A3		SERIES	MATERIAL NUMBER	CUSTOMER		
						505070	SEE CHART	GENERAL		
						DOCUMENT NUMBER		DOC TYPE	DOC PART	SHEET NUMBER
						5050700000		PSD	001	2 OF 3



24	29.4	25.4	12.63	505070-6420	---	---	64	
			11.93	505070-6020	---	---	60	
			10.88	505070-5420	○	---	54	
			10.18	505070-5020	○	---	50	
			9.83	505070-4820	○	---	48	
			9.48	505070-4620	---	---	46	
			8.78	505070-4220	○	---	42	
			8.43	505070-4020	○	---	40	
			7.38	505070-3420	○	---	34	
キャリアテープ幅 CARRIER TAPE WIDTH		C	B	(A)	MATERIAL No.	HIGH VOL TOOL	LOW VOL TOOL	CIRCUIT
						SAMPLE PREPARATION		

THIS DRAWING CONTAINS INFORMATION THAT IS PROPRIETARY TO MOLEX ELECTRONIC TECHNOLOGIES, LLC AND SHOULD NOT BE USED WITHOUT WRITTEN PERMISSION

EC NO: 110631 DRWN: TSOMEYA CHK'D: KTANAKA03 REV APPR: TKUSUHARA01	2016/11/17	2016/11/28	2016/11/28	GENERAL TOLERANCES (UNLESS SPECIFIED) ANGULAR TOL ± 1.0 ° 4 PLACES ± 0.01 3 PLACES ± 0.03 2 PLACES ± 0.05 1 PLACE ± 0.1 0 PLACES ± 0.2 DRAFT WHERE APPLICABLE MUST REMAIN WITHIN DIMENSIONS	DIMENSION UNITS	SCALE			
	REVISOR	DATE	DATE		MM	2:1			
	DRWN BY	DATE	DATE		STERUKI	2016/03/23			
	CHK'D BY	DATE	DATE		KTANAKA03	2016/04/01			
	APPR BY	DATE	DATE		KMORIKAWA	2016/04/01			
REV	DATE	DATE	DRAWING SIZE	THIRD ANGLE PROJECTION	PRODUCT CUSTOMER DRAWING				
B			A3		SERIES	MATERIAL NUMBER	CUSTOMER		
					505070	SEE CHART	GENERAL		
					DOCUMENT NUMBER		DOC TYPE	DOC PART	SHEET NUMBER
					5050700000		PSD	001	3 OF 3



- 1 MATERIAL
 WAFER: LIQUID CRYSTAL POLYMER UL94V-0 (COLOR: BLACK)
 TERMINAL: COPPER ALLOY
 FITTING NAIL: COPPER ALLOY
- 2 PLATING
 TERMINAL:
 CONTACT AREA: SEPARATED GOLD PLATING (0.1 MICROMETER MINIMUM).
 SOLDER TAIL AREA: SEPARATED GOLD PLATING.
 UNDERPLATE: NICKEL OVERALL.
 *DIVIDE INTO PARTS THE GOLD PLATING OF THE CONTACT AND THE TAIL PART BY THE NICKEL PLATING.
 FITTING NAIL:
 CONTACT AREA: SEPARATED GOLD PLATING (0.1 MICROMETER MINIMUM).
 SOLDER TAIL AREA: SEPARATED GOLD PLATING.
 UNDERPLATE: NICKEL OVERALL.
 *DIVIDE INTO PARTS THE GOLD PLATING OF THE CONTACT AND THE TAIL PART BY THE NICKEL PLATING.
 *EVEN THOUGH GOLD PLATING ON THE TOP SURFACE OF NAIL MIGHT BE THIN, NO FUNCTIONAL PROBLEM.
- △₃ APPLY FOR (CIRCUIT/2)=EVEN.
- 4 MATE WITH :505066-**10/ 505066-**20
- 5 TAIL AND FITTING NAIL COPLANARITY TO BE 0.08 MAXIMUM.
- △₆ PROHIBITED AREA OF PATTERN WIRING AND SOLDER.
 (FOR EACH AREA, THE WIRING THAT TOUCHES ON THE SOLDER CAN BE ATTACHED, THEN COVERED WITH A FILM TO KEEP SOLDER OUT).
- 7 ELV and RoHS COMPLIANT.

14.76	14.16	11.90	13.56	505070-7020	---	---	70
13.71	13.11	10.85	12.51	505070-6420	---	---	64
13.01	12.41	10.15	11.81	505070-6020	---	---	60
12.66	12.06	9.80	11.46	505070-5820	---	---	58
11.96	11.36	9.10	10.76	505070-5420	○	---	54
11.26	10.66	8.40	10.06	505070-5020	○	---	50
10.91	10.31	8.05	9.71	505070-4820	○	---	48
10.56	9.96	7.70	9.36	505070-4620	---	---	46
9.86	9.26	7.00	8.66	505070-4220	○	---	42
9.51	8.91	6.65	8.31	505070-4020	○	---	40
9.16	8.56	6.30	7.96	505070-3820	---	---	38
8.46	7.86	5.60	7.26	505070-3420	○	---	34
7.76	7.16	4.90	6.56	505070-3020	○	---	30
6.71	6.11	3.85	5.51	505070-2420	○	---	24
6.36	5.76	3.50	5.16	505070-2220	○	---	22
6.01	5.41	3.15	4.81	505070-2020	○	---	20
5.66	5.06	2.80	4.46	505070-1820	---	---	18
5.31	4.71	2.45	4.11	505070-1620	○	---	16
4.96	4.36	2.10	3.76	505070-1420	○	---	14
4.61	4.01	1.75	3.41	505070-1220	○	---	12
4.26	3.66	1.40	3.06	505070-1020	○	---	10
3.91	3.31	1.05	2.71	505070-0820	---	○	8
3.56	2.96	0.70	2.36	505070-0620	○	---	6
				EMBOSSED TAPE PACKAGE	HIGH VOL. TOOL	LOW VOL. TOOL	
D	C	B	A	ORDER NO.	SAMPLE PREPARATION ○: TOOLED △: WORK IN PROCESS ---: TOOLING TO BE CONFIRMED		CIRCUIT

CONNECTOR SERIES NO. : 505070-**19

THIS DRAWING CONTAINS INFORMATION THAT IS PROPRIETARY TO MOLEX ELECTRONIC TECHNOLOGIES, LLC AND SHOULD NOT BE USED WITHOUT WRITTEN PERMISSION

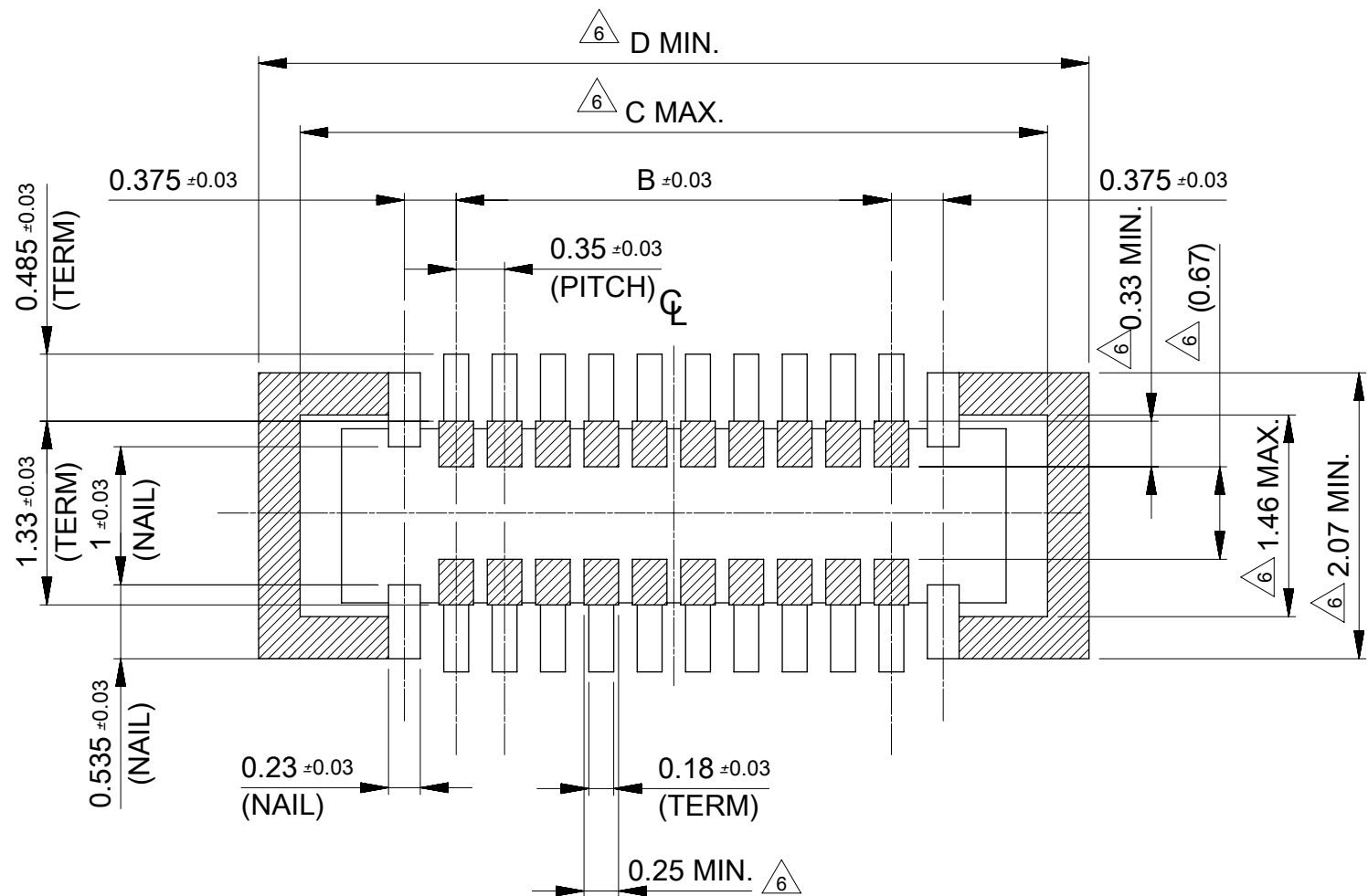
REVISED	2016/10/20	DRWN: TSOMEYA	2016/11/28	CHK'D: KTANAKA03	2016/11/28	APPR: TKUSUHARA01	
	GENERAL TOLERANCES (UNLESS SPECIFIED)		DIMENSION UNITS		SCALE		
	ANGULAR TOL ± 1.0 °		MM		20:1		
	4 PLACES ± 0.001	DRWN BY		DATE		STERUKI 2016/03/23	
	3 PLACES ± 0.003	CHK'D BY		DATE		KTANAKA03 2016/04/01	
2 PLACES ± 0.03	APPR BY		DATE		KMORIKAWA 2016/04/01		
1 PLACE ± 0.1	DRAWING SIZE		THIRD ANGLE PROJECTION				
0 PLACES ± 0.2	A3						
DRAFT WHERE APPLICABLE MUST REMAIN WITHIN DIMENSIONS							

molex

0.35 BB CONN. SSB6 RP PLUG ASSY

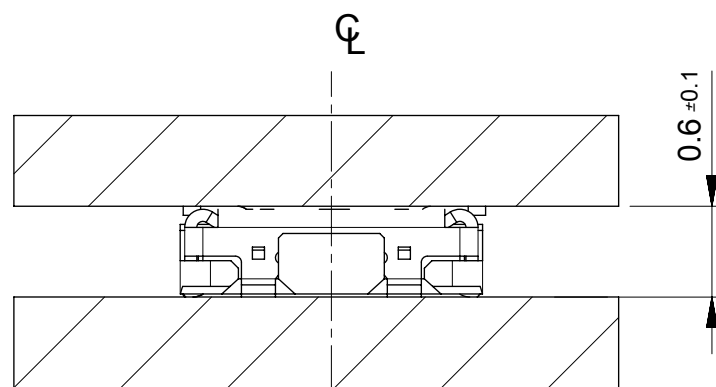
PRODUCT CUSTOMER DRAWING

SERIES	MATERIAL NUMBER	CUSTOMER			
505070	SEE CHART	GENERAL			
DOCUMENT NUMBER		DOC TYPE	DOC PART	SHEET NUMBER	
5050701000		PSD	001	1 OF 2	

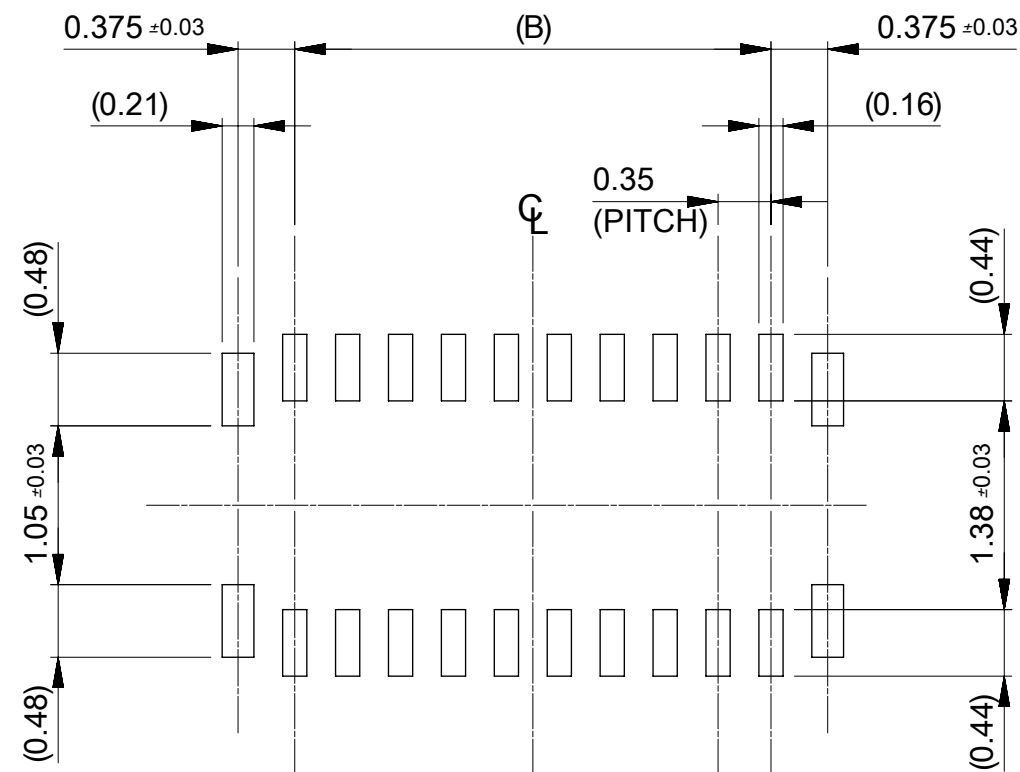


RECOMMENDED P.W.BOARD PATTERN LAYOUT(REFERENCE)

**△6 PROHIBITED AREA OF PATTERN WIRING AND SOLDER.
(FOR EACH AREA, THE WIRING THAT TOUCHES ON THE SOLDER
CAN BE ATTACHED, THEN COVERED WITH A FILM TO KEEP SOLDER OUT.)**



MATED CONDITION



RECOMMENDED METAL MASK LAYOUT(REFERENCE)

**RECOMMENDED THICKNESS OF METAL MASK : t=0.08mm
RECOMMENDED OPEN APERTURE RATIO OF METAL MASK : 80%**

THIS DRAWING CONTAINS INFORMATION THAT IS PROPRIETARY TO MOLEX ELECTRONIC TECHNOLOGIES, LLC AND SHOULD NOT BE USED WITHOUT WRITTEN PERMISSION

EC NO: 110631 DRWN: TSOMEYA CHK'D: KTANAKA03 APPR: TKUSUHARA01	2016/10/20	2016/11/28	GENERAL TOLERANCES (UNLESS SPECIFIED) ANGULAR TOL ± 1.0 ° 4 PLACES ± 0.001 3 PLACES ± 0.003 2 PLACES ± 0.03 1 PLACE ± 0.1 0 PLACES ± 0.2 DRAFT WHERE APPLICABLE MUST REMAIN WITHIN DIMENSIONS	DIMENSION UNITS	SCALE		
	REVISOR	DATE		MM	20:1		
	REV	DATE		DRWN BY	DATE		0.35 BB CONN. SSB6 RP PLUG ASSY
				CHK'D BY	DATE		PRODUCT CUSTOMER DRAWING
				APPR BY	DATE		SERIES MATERIAL NUMBER CUSTOMER
				DRAWING SIZE	THIRD ANGLE PROJECTION	505070 SEE CHART GENERAL	
				A3		DOCUMENT NUMBER DOC TYPE DOC PART SHEET NUMBER	
						5050701000 PSD 001 2 OF 2	