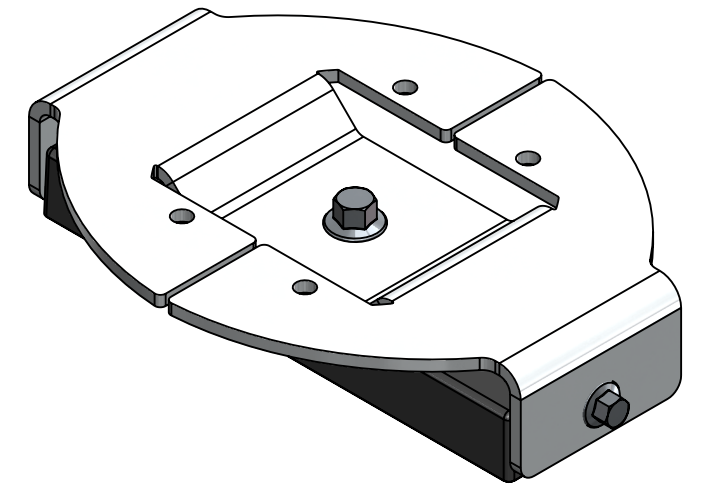
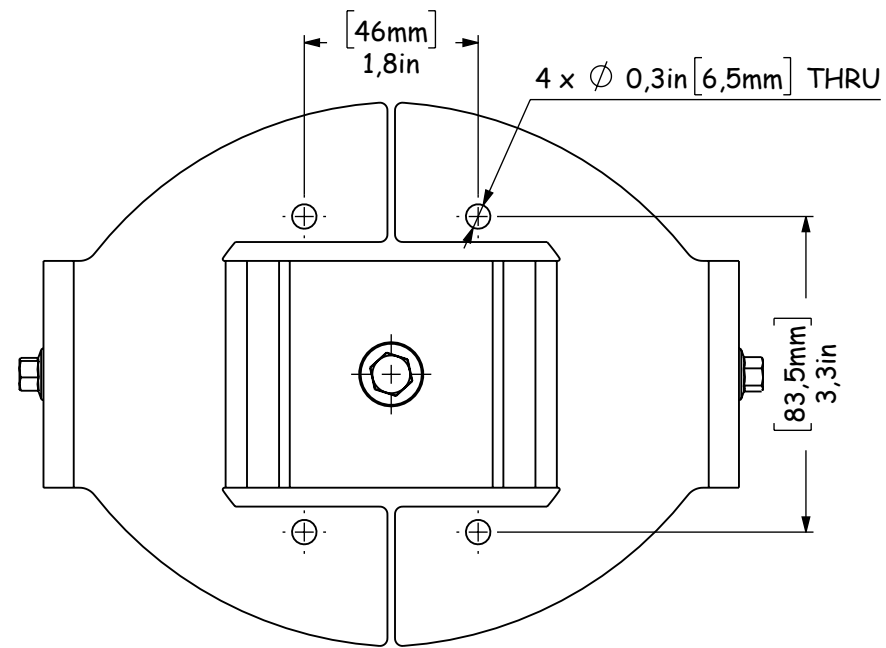
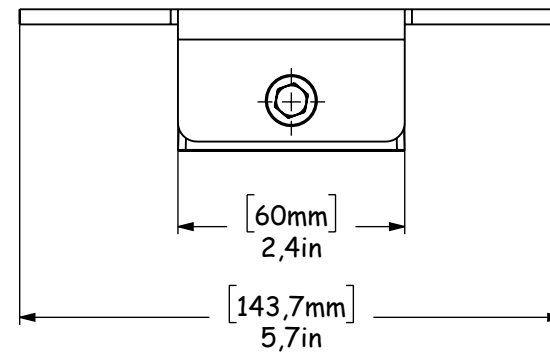
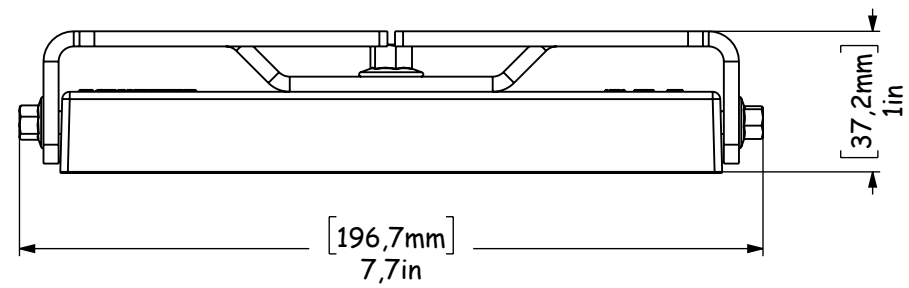


# 30195-000V-MAG 340© Magnetic CCTV Bracket

Camera not included



**ENGISO**<sup>®</sup>  
ENGINEERED SOLUTIONS

Phone: (+45) 70 23 00 75  
E-mail: info@Engiso.com

	Linear tolerance	0-10	10-50	50-500	500-1000	1000-
		± 0.1	± 0.2	± 0.5	± 0.8	± 1

Created: 29. januar 2020      Ini: ANO      Updated: 13. november 2022      Ini: ANO

Surface treatment: \_\_\_\_\_      Approver: B.Ø.

Material: Material <not specified>      Weight: 2.9 Kg

Material Cert. EN10204: \_\_\_\_\_      Item: **Magnet +Bracket for camera**

Unit: Metric

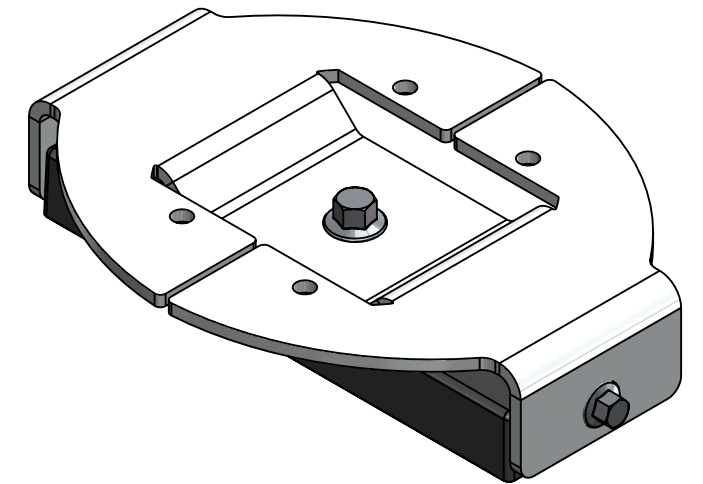
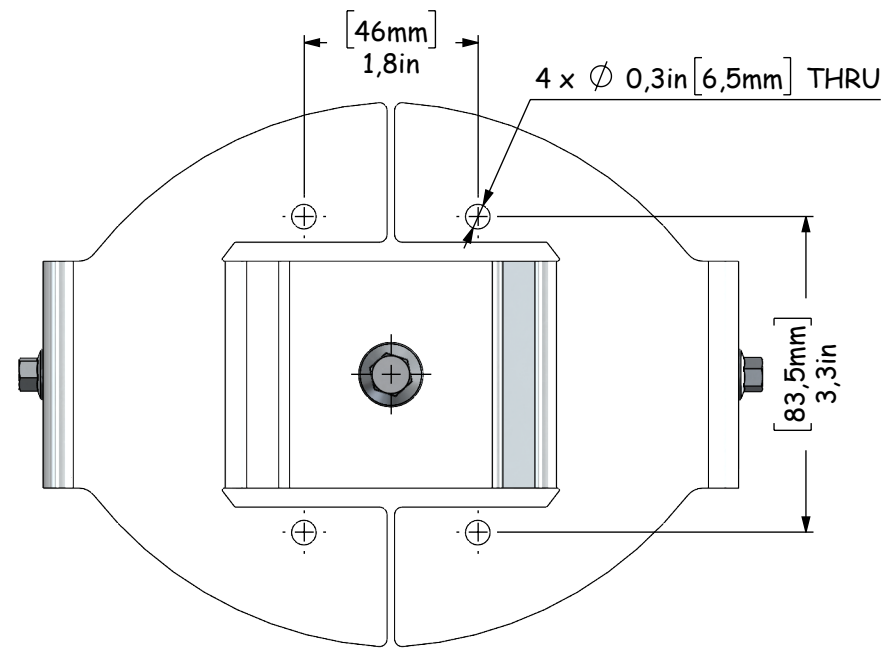
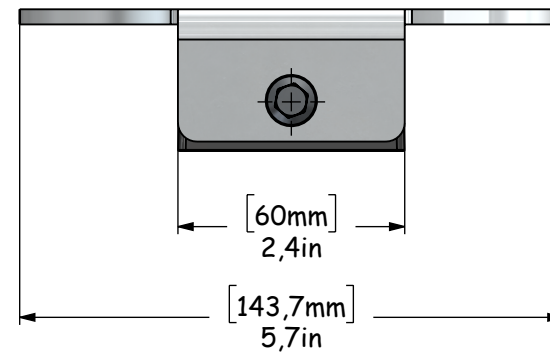
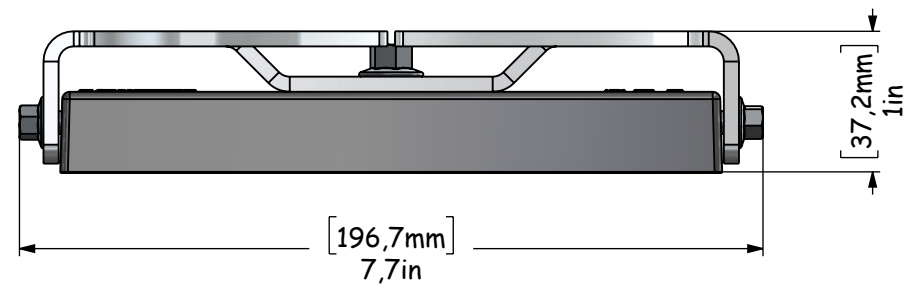
A3	Sheet : 1 of 6	SCALE 1:2	Drawing no.: 30195_000-R2	Rev:
----	----------------	-----------	---------------------------	------


This drawing belongs Engiso, and may not be disclosed to third parties or used otherwise.

All sharp edges deburred.

# 30195-000V-MAG 340© Magnetic CCTV Bracket



Camera not included





**ENGISO**  
ENGINEERED SOLUTIONS

Phone: (+45) 70 23 00 75  
E-mail: info@Engiso.com

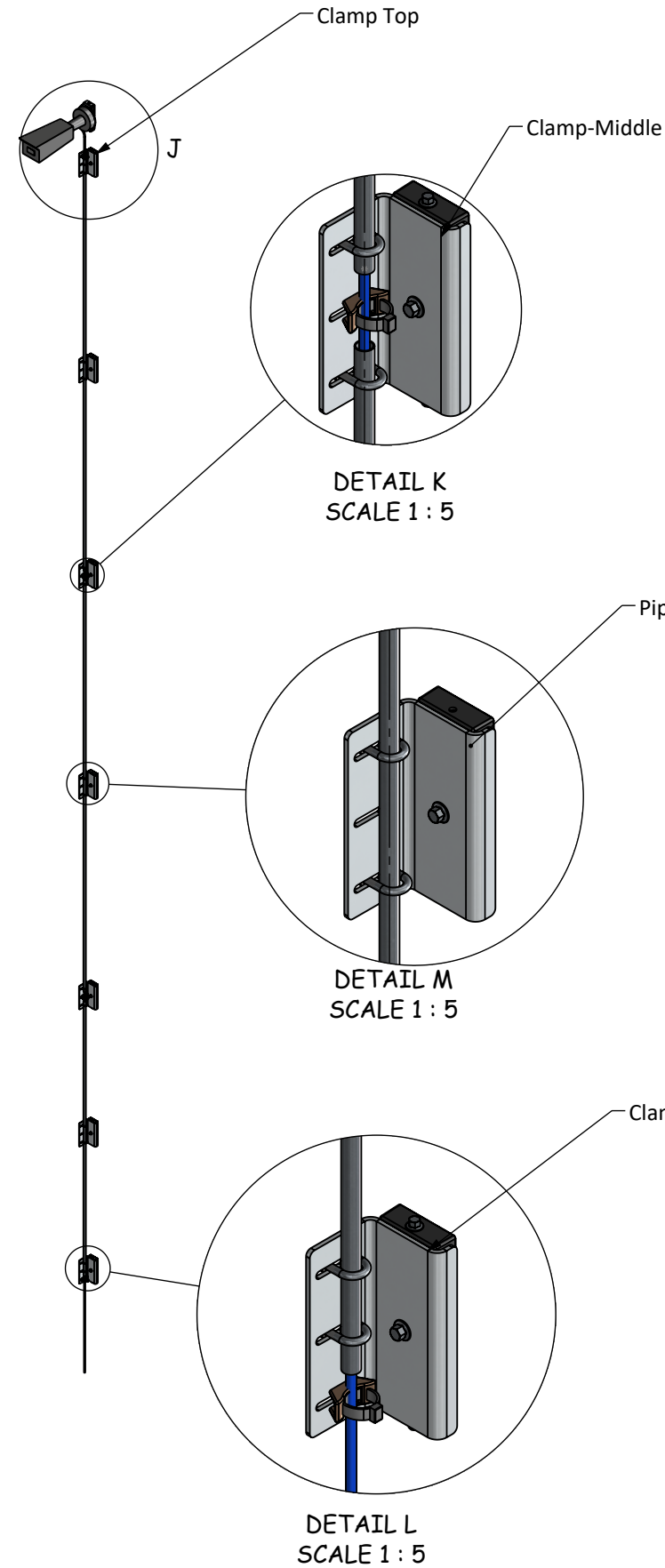
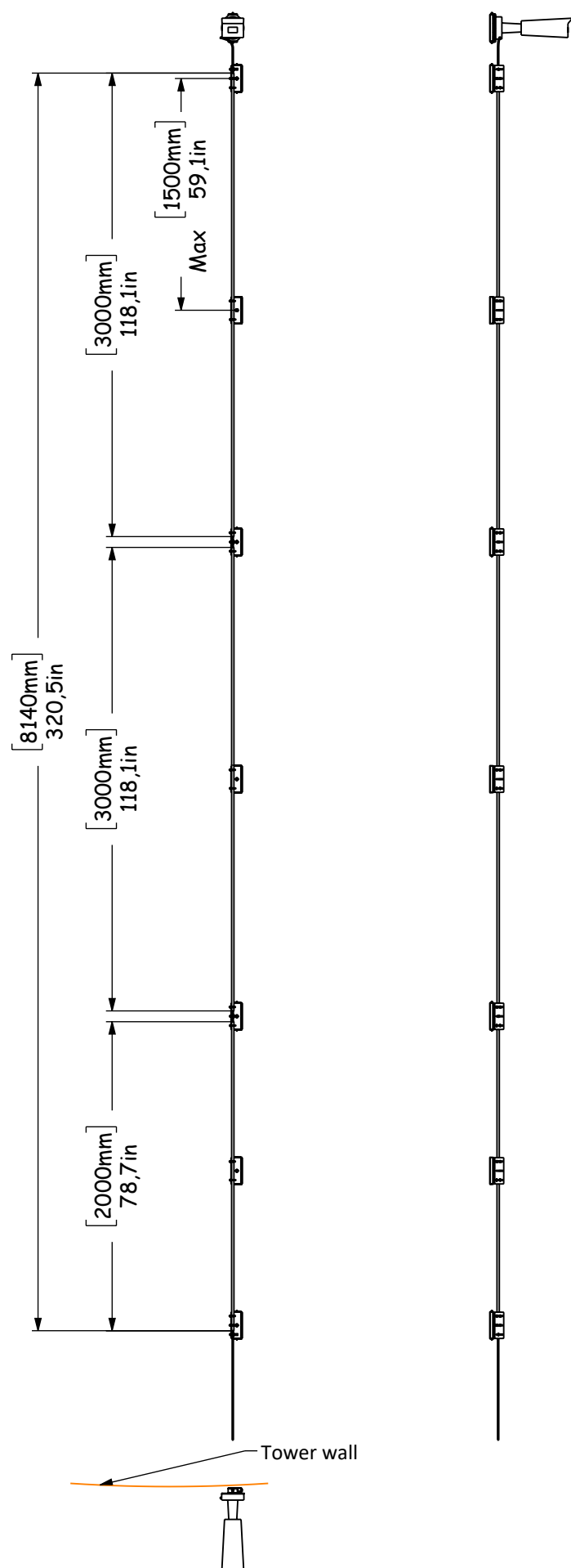
		Linear tolerance	0-10	10-50	50-500	500-1000	1000-	
			± 0.1	± 0.2	± 0.5	± 0.8	± 1	
Created: 29. januar 2020		Ini: ANO	Updated: 13. november 2022				Ini: ANO	
Surface treatment:						Approver: B.Ø.		
Material: Material <not specified>		Weight: 2.9 Kg						
Material Cert. EN10204:		Item: <b>Magnet +Bracket for camera</b>						
Unit: Metric								
A3	Sheet : 2 of 6	SCALE 1:2	Drawing no.: 30195_000-R2				Rev:	

This drawing belongs Engiso, and may not be disclosed to third parties or used otherwise.

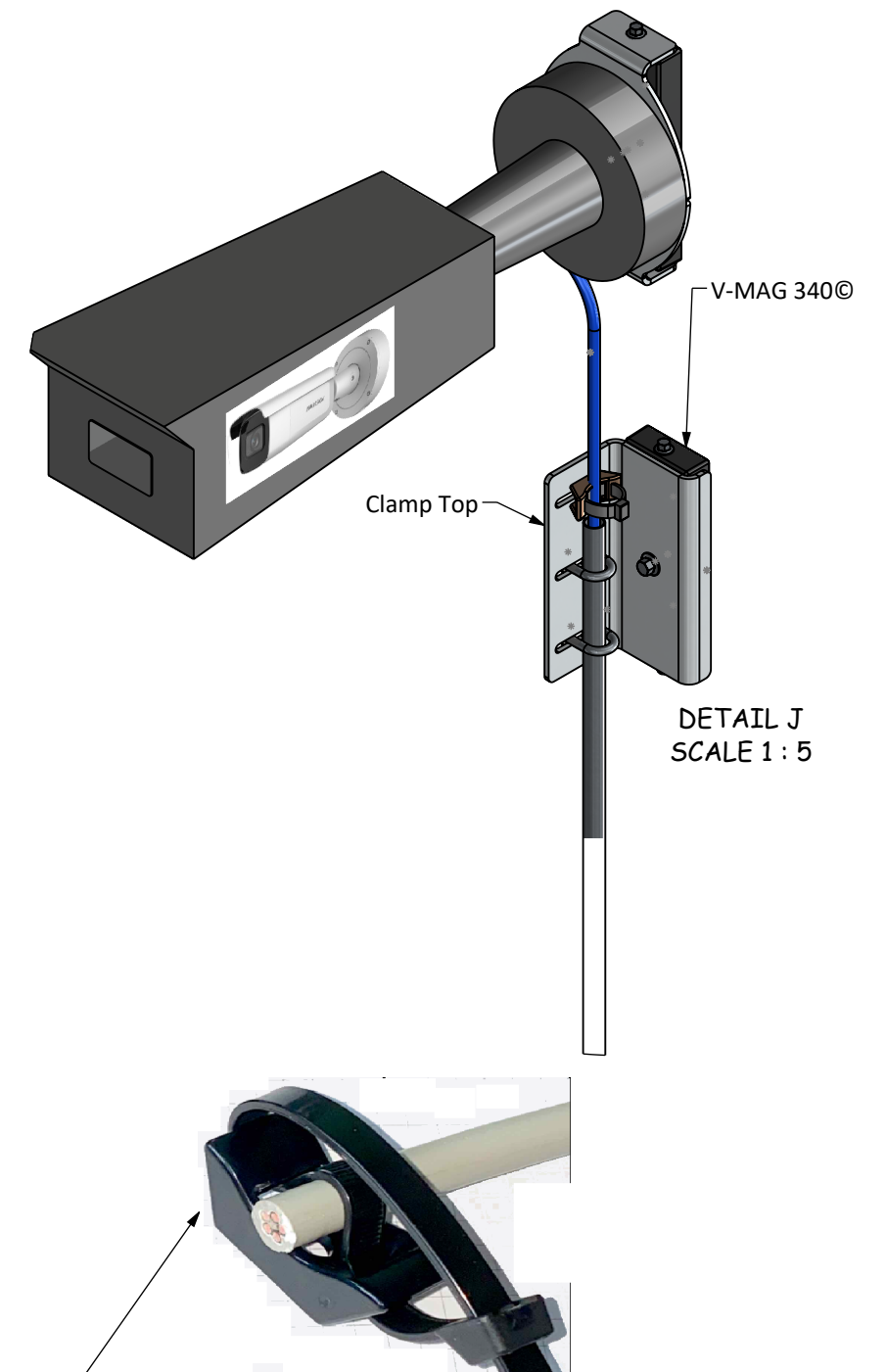
All sharp edges deburred.

# Option for cable attachment on steel wall

All pipes are supplied in 3 m lengths: The length of the pipe is cut to the desired length on site



CCTV camera shown on  
**30195-000 V-MAG 340©Magnetic CCTV Bracket**



Cable fixed with cable tie  
OBS: The cable is under the cable tie

**ENGISO®**  
ENGINEERED SOLUTIONS

Phone: (+45) 70 23 00 75  
E-mail: info@Engiso.com

	Linear tolerance	0-10	10-50	50-500	500-1000	1000-
		± 0.1	± 0.2	± 0.5	± 0.8	± 1
Created: 29. januar 2020		Ini: ANO		Updated: 13. november 2022		Ini: ANO
Surface treatment:						Approver: B.Ø.
Material: Material <not specified>		Weight: 43.3 Kg				
Material Cert. EN10204:		Item: Cable mounting				
Unit: Metric						
A3	Sheet : 3 of 6	SCALE 1:40	Drawing no.: 30195_003			Rev:

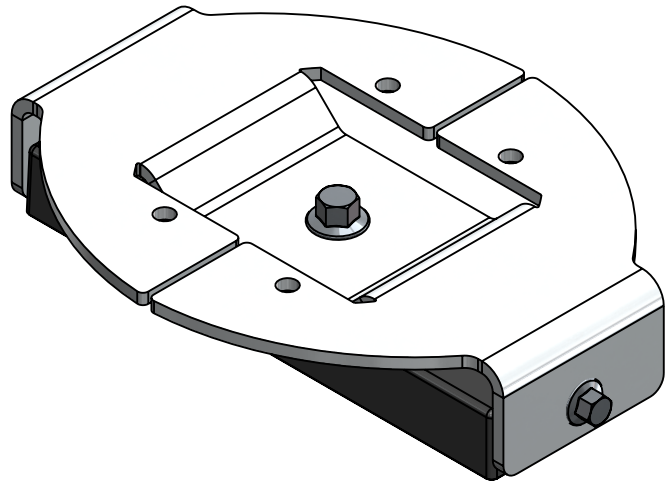
This drawing belongs Engiso, and may not be disclosed to third parties or used otherwise.

All sharp edges deburred.

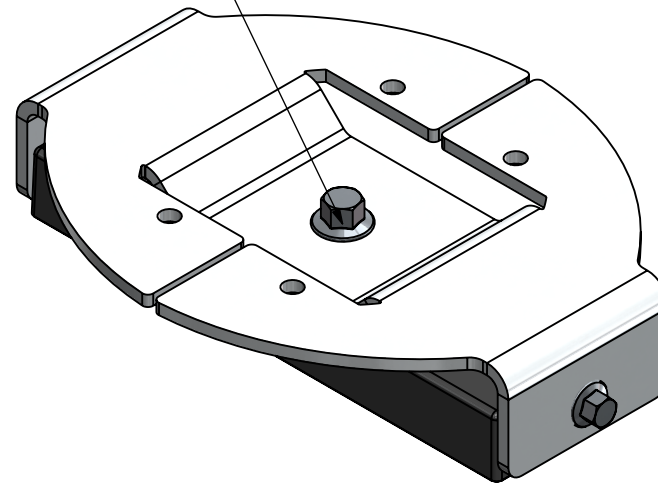
# Installation guide

Camera not included

1: Check received magnet with Bracket

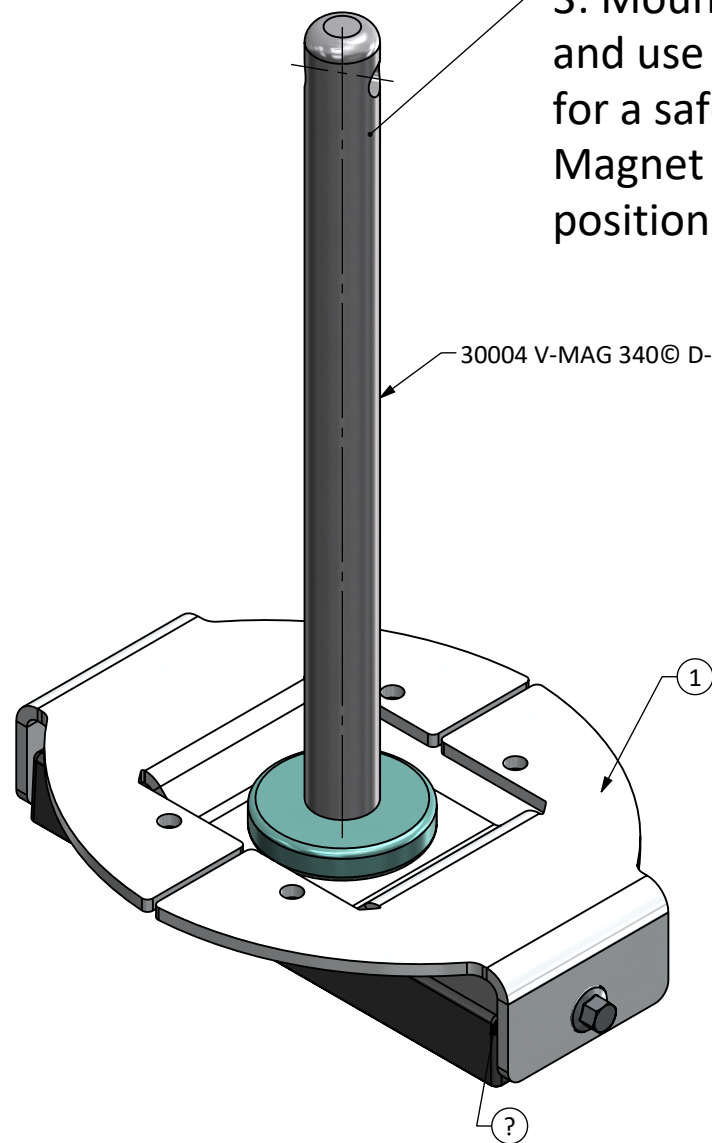


2: Demount M8 bolt

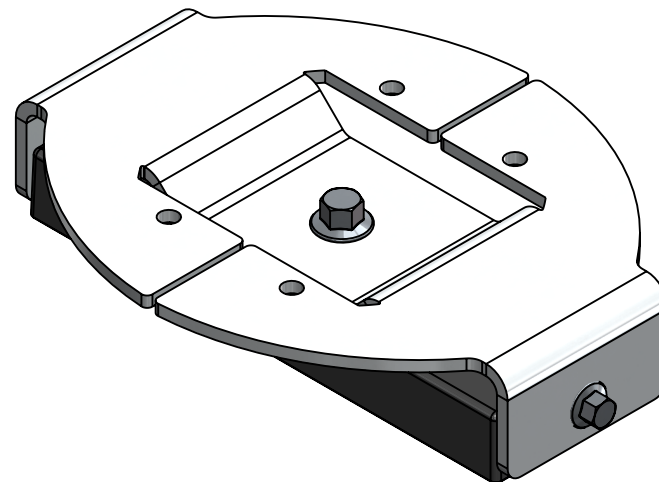



3: Mount the D-Mount Tool and use the D-Mount Tool for a safe installation of the Magnet with Bracket in the right position.

30004 V-MAG 340© D-Mount Tool



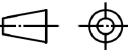
4: Unscrew D-Mount Tool  
5: Mount the M8 bolt again  
6: Install the camera





**ENGiSO**<sup>®</sup>  
ENGINEERED SOLUTIONS

Phone: (+45) 70 23 00 75  
E-mail: info@Engiso.com

	Linear tolerance	0-10	10-50	50-500	500-1000	1000-
	± 0.1	± 0.2	± 0.5	± 0.8	± 1	
Created: 29. januar 2020		Ini: ANO		Updated: 13. november 2022		Ini: ANO
Surface treatment:						Approver: B.Ø.
Material: Material <not specified>			Weight: 2.9 Kg			
Material Cert. EN10204:			Item: <b>Magnet +Bracket for camera</b>			
Unit: Metric						
A3	Sheet : 4 of 6	SCALE 1:2	Drawing no.: 30195_000-R2			Rev: