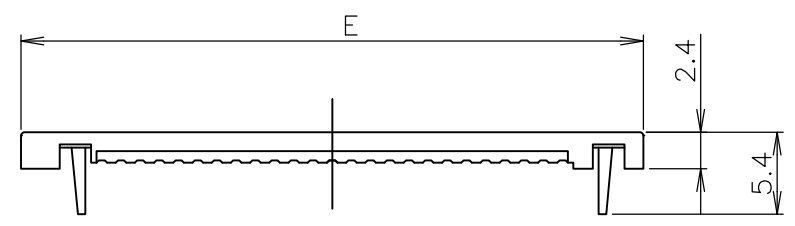
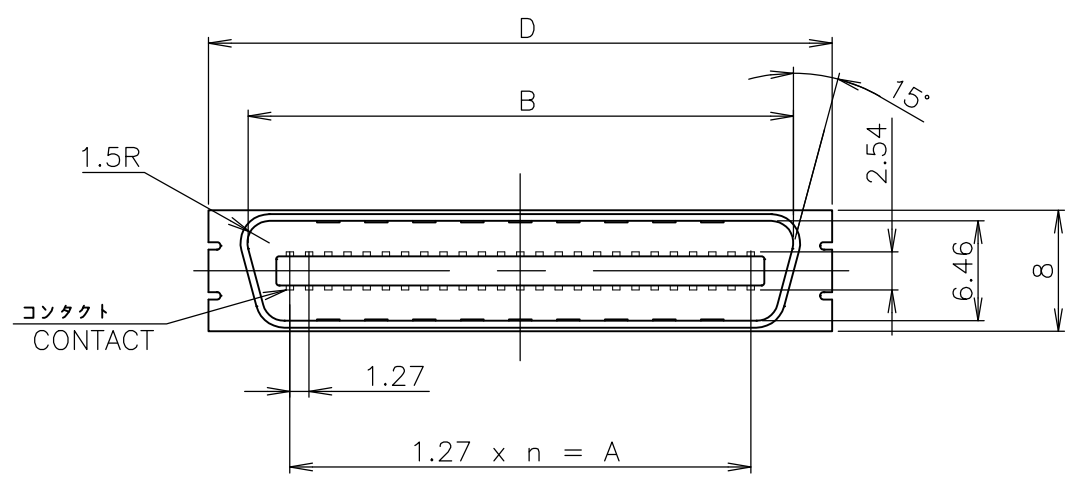
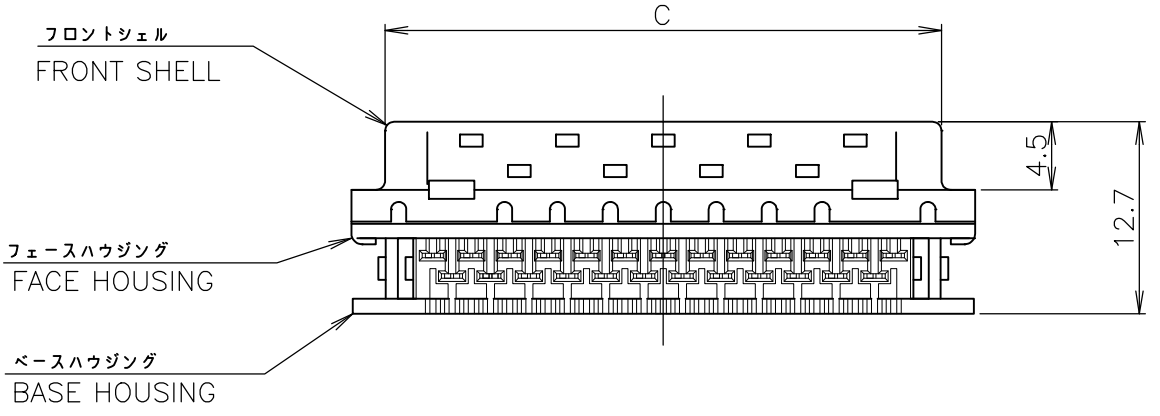
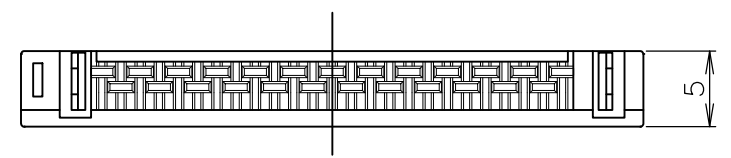


THIS DRAWING IS UNPUBLISHED. RELEASED FOR PUBLICATION  
 © COPYRIGHT By - ALL RIGHTS RESERVED.

REVISIONS				
P	LTR	DESCRIPTION	DATE	APVD
C		REVISED PER ECO-20-000695	23JAN2020	VM SH



COVER HOUSING  
(2EA/KIT)



OBSOLETE	49.53	54.69	55.7	60.3	60.2	0.76u	39	80	3-5175677-0
	62.23	67.45	68.4	73.0	72.9	0.76u	49	100	2-5175677-9
	41.91	47.13	48.0	52.7	52.6	0.76u	33	68	2-5175677-8
	30.48	35.70	36.6	41.3	41.2	0.76u	24	50	2-5175677-7
	21.59	26.81	27.7	32.4	32.3	0.76u	17	36	2-5175677-5
OBSOLETE	15.24	20.46	21.4	26.0	25.9	0.76u	12	26	2-5175677-4
OBSOLETE	11.43	16.65	17.6	22.2	22.1	0.76u	9	20	2-5175677-2
	7.62	12.84	13.7	18.4	18.3	0.76u	6	14	2-5175677-1
	49.53	54.69	55.7	60.3	60.2	0.3 u	39	80	1-5175677-0
	62.23	67.45	68.4	73.0	72.9	0.3 u	49	100	5175677-9
OBSOLETE	41.91	47.13	48.0	52.7	52.6	0.3 u	33	68	5175677-8
OBSOLETE	30.48	35.70	36.6	41.3	41.2	0.3 u	24	50	5175677-7
	21.59	26.81	27.7	32.4	32.3	0.3 u	17	36	5175677-5
OBSOLETE	15.24	20.46	21.4	26.0	25.9	0.3 u	12	26	5175677-4
OBSOLETE	11.43	16.65	17.6	22.2	22.1	0.3 u	9	20	5175677-2
	7.62	12.84	13.7	18.4	18.3	0.3 u	6	14	5175677-1
	A	B	C	D	E	Au.PLATING	n	POS	PART No.

NOTE  
 1. MATERIAL & FINISH  
 \*CONTACT; COPPER ALLOY Au PL.0.3 AND 0.76 MIN. AT CONTACT AREA AND TIN PL. AT I.D. AREA OVER Ni PL.  
 \*FRONT SHELL; STEEL, Ni PL.  
 \*HOUSING(BASE,FACE,COVER); THERMO-PLASTIC,GF,UL 94V-0. BLACK  
 2. APPLICABLE WIRE; PLEASE CONFIRM TO TE CONNECTIVITY ENGINEERING.

TOLERANCES UNLESS OTHERWISE SPECIFIED  
 一般公差

10 ≧	±0.2
30 ≧	> 10 ±0.25
100 ≧	> 30 ±0.3
ANGLES ±3°	

THIS DRAWING IS A CONTROLLED DOCUMENT.

DIMENSIONS: mm

TOLERANCES UNLESS OTHERWISE SPECIFIED.

0 PLC	±
1 PLC	±
2 PLC	±
3 PLC	±
4 PLC	±
ANGLES	±
FINISH	

MATERIAL: SEE NOTES

FINISH: SEE NOTES

DWN COREL.WANG 19APR05  
 CHK STEVEN YAO 19APR05  
 APVD I.ENOMOTO 19APR05

NAME: CHAMP .050 PLUG CONN. KIT

PRODUCT SPEC  
 APPLICATION SPEC

STE TE Connectivity Ltd.

SIZE: A3 CAGE CODE: 00779 DRAWING NO: C-5175677 RESTRICTED TO: -

WEIGHT: 0.000000

CUSTOMER DRAWING SCALE: 2:1 SHEET: 1 OF 1 REV: C