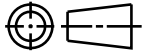
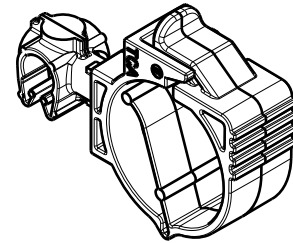
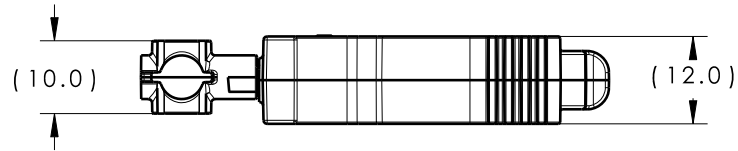


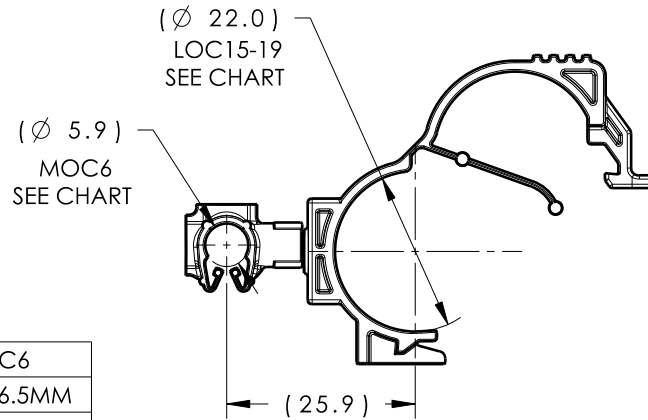
CATIA V5



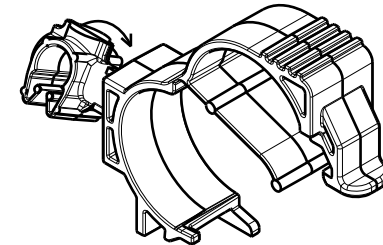
Revision Level			Revision Record	Changed	Date	Approved	Date
Drawing	State	Part					
00.0	Design Release	-	SEE ECN# 014970	JMC	03/21/19	EJH	03/21/19



ISOMETRIC VIEW  
CLOSED



CLIPS ROTATE  
360 DEGREES



ISOMETRIC VIEW  
OPEN

TYPE	MOC6
HARNESS	5.5MM-6.5MM
HOSE	5.5MM-6.5MM
HARD PIPE/TUBE	6.0MM-6.8MM

\*RECOMMENDED SIZES MAY DIFFER DEPENDING ON THE APPLICATION PRODUCT, REQUIRMENTS AND MATERIALS USED.

\*\*PATENT PENDING 299/582.271\*\*

GLOBAL PART DESCRIPTION	MOC6**			LOC15-19		
	DRAWING	MATERIAL	COLOR	DRAWING	MATERIAL	COLOR
MOC6FLOC15-19-PA66HIRHSUV-BK	16-0314-001-CSU	PA66HIRHSUV	BLACK	12-0429-031-CSU	PA66HIRHSUV	BLCK

Material SEE CHART COLOR: SEE CHART	Units	millimeters	The copyright of this drawing is reserved by HellermannTyton. It is issued on condition that it is not reproduced, copied or disclosed to a third party, either wholly or in part, without the consent of HellermannTyton.	Drawn	JMC	03/21/19	Article/Type-No	MOC6FLOC15-19		Scale	1:1		
	Tolerance defined on each dimension	Approved		EJH	03/21/19	Title		6MM MOC COUPLED TO 15-19MM LOC		Project Number	16-0327		
		<b>HellermannTyton</b> North America Email: corp@htamericas.com Web: www.hellermann.tyton.com						Drawing-No	PRODUCTION : Phase	Format	AH		
									<b>16-0327-063-CSU</b>		Sheet	1/1	