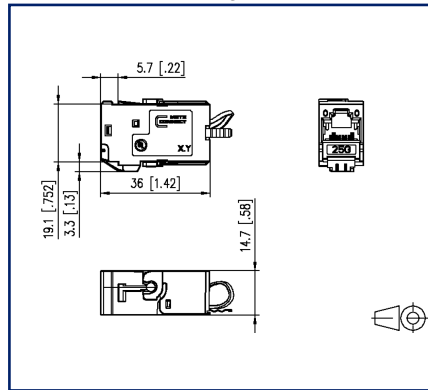


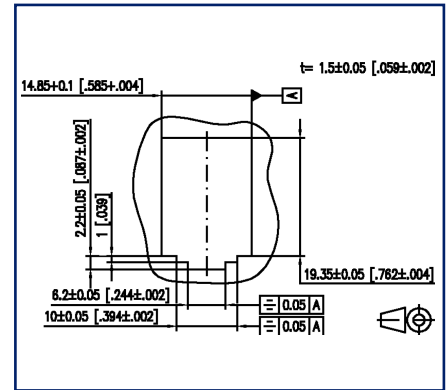
### Illustrations



Dimensional drawing



Drill pattern



See enlarged drawings at the end of document

### Product specification

- certified by GHMT according to ISO/IEC TR-11801-9905 for 25GBASE-T in the Channel-Link with 30 m
- in preparation: ISO/IEC TR-11801-9909 for 25GBASE-T in channel link over 30 m
- completely downward compatible by complying with class E<sub>A</sub> according to ISO/IEC 11801-1 and DIN EN 50173-1 (within the permanent link up to 90m, within the permanent link up to 100m)
- RJ45 according to IEC 60603-7-1, 2 mounting versions: module and keystone
- mounting without special tools, low mounting and connection time
- migrating 10G-systems without special tools
- connection of patch- and installations cords is possible for: AWG 26/7 - 22/7 and AWG 26/1 - 22/1
- suitable for 25Gbit/s Ethernet (IEEE 802.3bq) and 10 Gbit/s Ethernet (IEEE 802.3an), Remote Powering (PoE, PoE plus, UPoE and 4PPoE), HDBaseT, SAT-IP and AVoverIP
- solid, reusable module housing refined with zinc die-casting
- intelligent cable management in stuffer caps - also suitable for heavily twisted cables - also easy installation in various applications
- strain relief by latching clip directly on the stuffer cap
- 360°-shield connection
- dust protection cover (optional)

# P | Cabling

## Data sheet 25Gmodul

Page 2/9

P/N  
130B11-25-E  
EAN 4251394607399  
2023/04/05  
Version: F

### Technical Data

#### General Data

Fields of application	office areas
Mechanical measurement according to MICE	M1
Ingress measurement according to MICE	I1
Climatic measurement according to MICE	C1
Electromagnetic measurement according to MICE	E2
Design	Jack
Shielding	shielded
Transmission technology	Copper
Wiring	T568A, T568B
Color	metallike
Dimensions	
Dimension (L x W x H)	36 mm x 14.7 mm x 22.4 mm
Dimension (L x W x H)	1.417 in. x 0.579 in. x 0.882 in.
Modularity	yes
Field assembly ability	yes
Marking option	by latching clip

#### Transmission characteristics

Class (ISO/IEC)	E <sub>A</sub>
Remote Powering	yes
PoE	IEEE 802.3af
PoE plus	IEEE 802.3at
UPoE	yes
4PPoE	IEEE 802.3bt
HDBaseT	yes
Transmission rate up to 10 GBit	IEEE 802.3an
Transmission rate up to 25 GBit (Fast Ethernet)	IEEE 802.3bq

# P | Cabling

## Data sheet 25Gmodul

Page 3/9

P/N  
130B11-25-E  
EAN 4251394607399  
2023/04/05  
Version: F

### Technical Data

#### Connections/interfaces

Connector technology interface 1	IDC-connection
Connector technology interface 2	RJ45-jack
Number of ports interface 2	1
Number of ports interface 2 equipped	1
Number of positions/contacts interface 1	8
Number of positions/contacts interface 2	8P/8C
Termination data, solid wire (min. - max.)	
Conductor cross section, solid wire	AWG 26/1 - AWG 22/1
Conductor cross section, solid wire	0.128 mm <sup>2</sup> - 0.324 mm <sup>2</sup>
Conductor diameter, solid wire (bare copper)	0.409 mm - 0.643 mm
Conductor diameter, solid wire (bare copper)	0.016 in. - 0.025 in.
Termination data, stranded wire (min. - max.)	
Conductor cross section, stranded wire	AWG 26/7 - AWG 22/7
Conductor cross section, stranded wire	0.141 mm <sup>2</sup> - 0.355 mm <sup>2</sup>
Conductor diameter, stranded wire (bare copper)	0.483 mm - 0.762 mm
Conductor diameter, stranded wire (bare copper)	0.019 in. - 0.03 in.
Cable sheath diameter (min. - max.)	
Cable sheath diameter	5.5 mm - 10.00
Cable sheath diameter	0.197 in. - 0.394
Cable access/outlet	180°

#### Electrical characteristics

Current carrying capacity	max. 1 A
Rated voltage	max. 50 V
Contact resistance	max. 20 mOhm
Through resistance	max. 200 mOhm
Insulation resistance	min. 500 MOhm
Dielectric strength conductor-conductor (secondary)	max. 1000 V DC

# P | Cabling

## Data sheet 25Gmodul

Page 4/9

P/N  
130B11-25-E  
EAN 4251394607399  
2023/04/05  
Version: F

### Technical Data

#### Mechanical data

Cut-out	module
Mounting method	snap-in function
Insertion and withdrawal force	max. 30 N
Position/mounting of latch standard installation position	top
strain relief	latching clip

#### Materials and material properties

Material - Housing	GD-Zn (zinc die-cast)
Material - Contact	Spring steel
Material - Contact finish	Au (gold)
Material - Shield	GD-Zn (zinc die-cast)
Material - Stuffer cap	PA 6.6 UL94 V0
Material - Strain relief	PA 6.6 UL94 V0
Halogen free	yes
Material - Finish	Ni (nickel)
RoHS	compliant

#### Environmental conditions

Rapid change of temperature	-40°C / -40°F - +70°C / 158°F / 25 cycles t=30 min
-----------------------------	--

#### Certifications

GHMT Type Approval



2 Connector Permanent Link,  
Class EA | 2 Connector  
Channel Link, 30 m Class 1  
up to 1,25 GHz

#### Approvals

UL listed (file no.)	DUXR.E178484
----------------------	--------------

# P | Cabling

## Data sheet 25Gmodul

Page 5/9

P/N  
130B11-25-E  
EAN 4251394607399  
2023/04/05  
Version: F

### Technical Data

#### Standards/Regulations

##### Generic cabling systems

General requirements	ISO/IEC 11801-1   DIN EN 50173-1 ANSI/TIA-568-C
Office buildings	ISO/IEC 11801 Ed.2.2: 2011-06   DIN EN 50173-2 ANSI/TIA-568-C
Living units	ISO/IEC 15018   DIN EN 50173-4 ANSI/TIA-570-B

##### Connectors for electronic equipment - Tests and measurements

Test standard for connectors (engaging and separating connectors under electrical load)	DIN-EN 60512-99-001, DIN-EN 60512-99-002
Endurance tests	IEC 60512-9-3: 03-2009
Interference proof	
Immunity for industrial environments	DIN EN 61000-6-2:2006-03
Emission proof	
Electromagnetic emission for residential, commercial and light-industrial environments	DIN EN 61000-6-3:2011-09
Climate tests	IEC 60512-11

#### Classifications

ETIM 7.0	EC001121
ETIM 8.0	EC001121
ETIM 9.0	EC001121

#### Packing details

Type of packaging	10 pc(s) / box
-------------------	----------------

# P | Cabling

## Data sheet 25Gmodul

Page 6/9

P/N  
130B11-25-E

EAN 4251394607399

2023/04/05

Version: F

### Accessories from

P/N	Designation
130861-0202-E	Modul surface mount housing 2 port pure white, unequipped
130861-0302-E	Modul surface mount housing 3 port pure white, unequipped
130861-0402-E	Modul surface mount housing 4 port pure white, unequipped
130861-0602-E	Modul surface mount housing 6 port pure white, unequipped
130861-0802-E	Modul surface mount housing 8 port pure white, unequipped
130861-1202-E	Modul surface mount housing 12 port pure white, unequipped
130861-1602-E	Modul surface mount housing 16 port pure white, unequipped
130861-2402-E	Modul surface mount housing 2x12 port pure white, unequipped
1309107003-E	REGplus IP20 E-DAT modul
130920-00-E	Modul 19 inch module frame 1RU 24 Port light gray unequipped, shielded
130920-BK-E	Modul 19 inch module frame 1RU 24 port black unequipped, shielded
130920-E	E-DAT modul 24x8(8) 1RU patch panel Cat.6 <sub>A</sub> , light gray
130921-00-E	Modul 19 inch module frame 1RU 24 port stainless steel unequipped
130921-E	E-DAT modul 24x8(8) 1RU patch panel Cat.6 <sub>A</sub> , stainless steel
130922-00-E	6 port module frame 1RU
130922-02-E	E-DAT modul 6x8(8) 3RU patch panel Cat.6 <sub>A</sub>
130922-03-E	E-DAT modul 6x8(8) for 1RU patch panel Cat.6 <sub>A</sub>
130924-00-E	Modul 19 inch module frame 1.5RU 48 port stainless steel unequipped
130924-E	E-DAT modul 48x8(8) 1.5RU patch panel Cat.6 <sub>A</sub> , stainless steel
130927-1200-E	SmartConnect Patchpanel 12 ports MC module
130927-1600-E	SmartConnect Patchpanel 16 ports MC module
130927-2400-E	SmartConnect Patchpanel 24 ports MC module
1309427103-E	Modul REGplus IP20 light gray unequipped
1309A07003-E	REGplus IP20 E-DAT modul coupler 180°
1309A17003-E	REGplus IP20 E-DAT modul coupler 90°
130B10E2E-E	Modul module frame 3RU, 7HP 6 port stainless steel unequipped
130B117003-E	REGplus IP20 C6 <sub>A</sub> modul 180°M
130B11P0-E	C6 <sub>A</sub> modul 24 port 180°M 1RU
130B11P1-E	C6 <sub>A</sub> modul 24 port 180°M 1RU stainless steel
130B11P4-E	C6 <sub>A</sub> modul 48 port 180°M 1.5RU stainless steel

# P | Cabling

## Data sheet 25Gmodul

Page 7/9

P/N  
130B11-25-E

EAN 4251394607399

2023/04/05

Version: F

### Accessories from

130B127003-E	REGplus IP20 C6 <sub>A</sub> modul 270°M
130D2CBU4-E	DCCS2 subassembly 4 port unequipped
14040000-E	MCO IP69k protective housing for outdoor use, set for exposed installation
14040010-E	MCO IP69k Protective housing for outdoor use, set with mounting bracket
14040100-E	MCO IP69k Protective housing for outdoor use, set wall/ housing bushing
1503600RJ00-B	OpDAT MV hybrid 12xmodule cutouts unequipped IP65
1503600RJ00-E	OpDAT MV hybrid 12xmodule cutouts unequipped IP54
15036ZRJ00-E	OpDAT MV patch panel 12xmodule cutouts unequipped



# P | Cabling

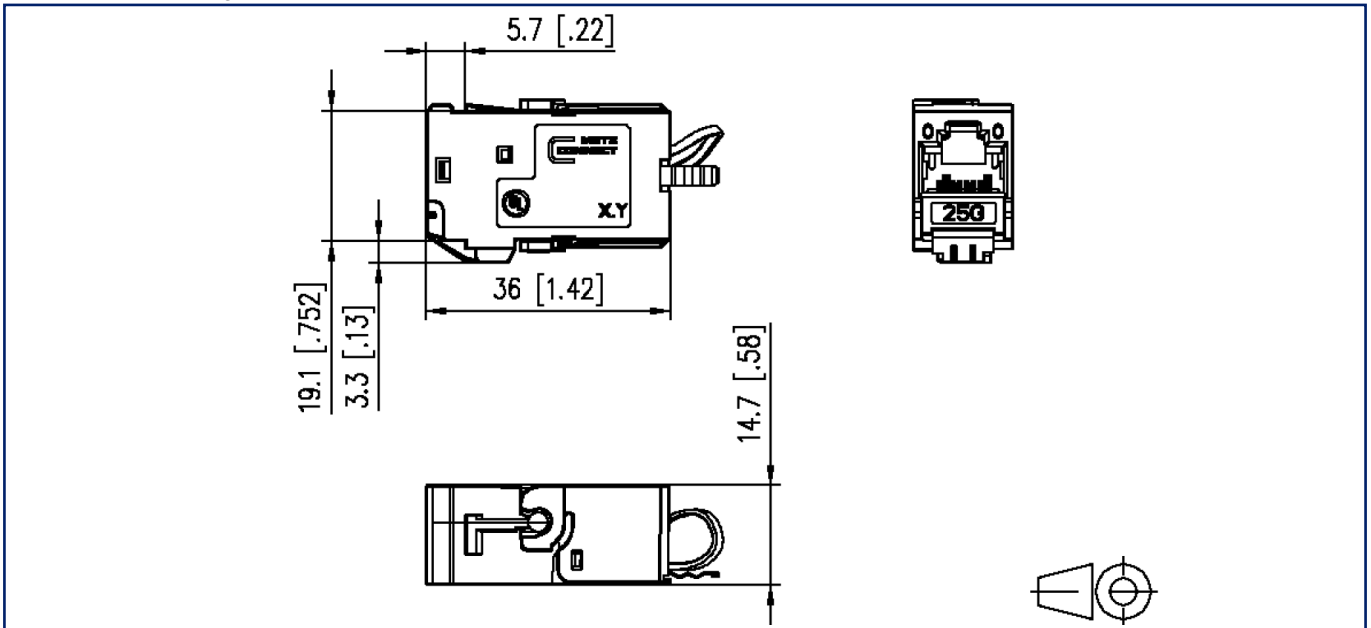
Data sheet  
25Gmodul

Page 8/9

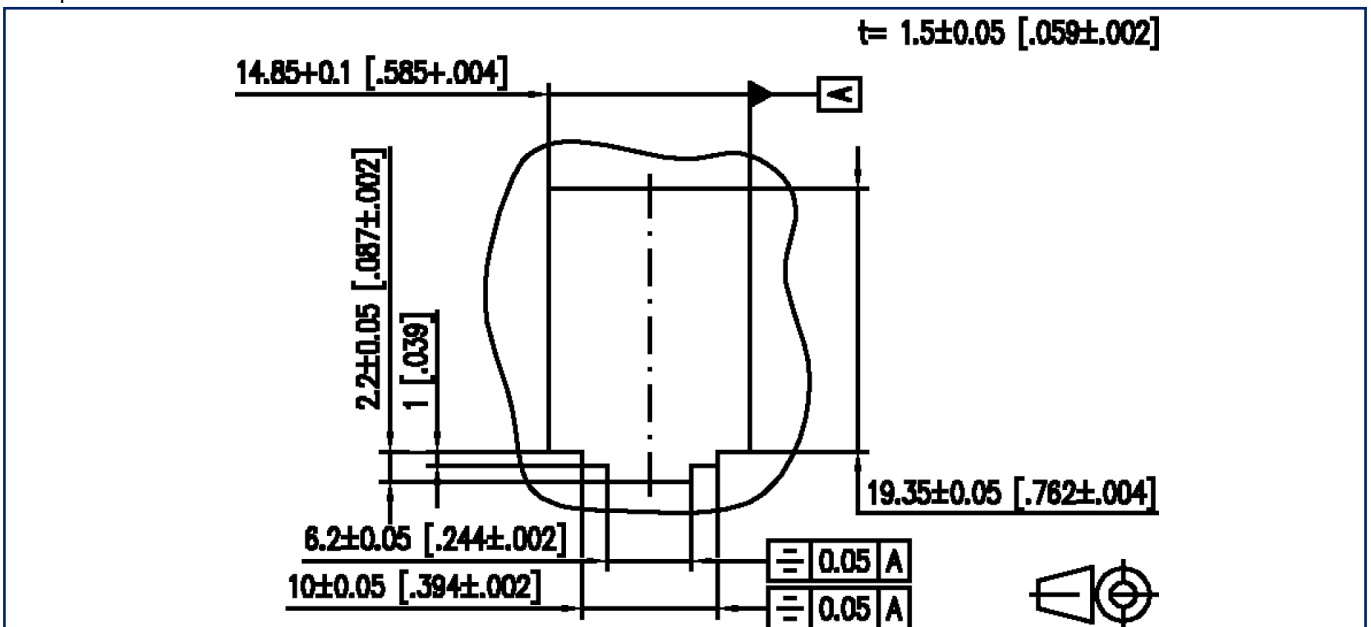
P/N  
130B11-25-E  
EAN 4251394607399  
2023/04/05  
Version: F

## Illustrations

Dimensional drawing



Drill pattern





# P | Cabling

Data sheet  
25Gmodul

Page 9/9

P/N  
130B11-25-E  
EAN 4251394607399  
2023/04/05  
Version: F

## Illustrations

Cut-out

