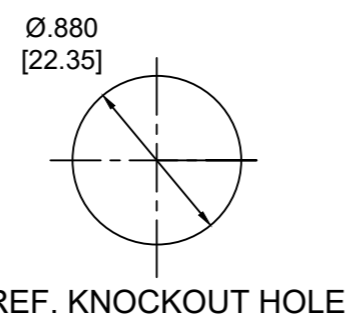
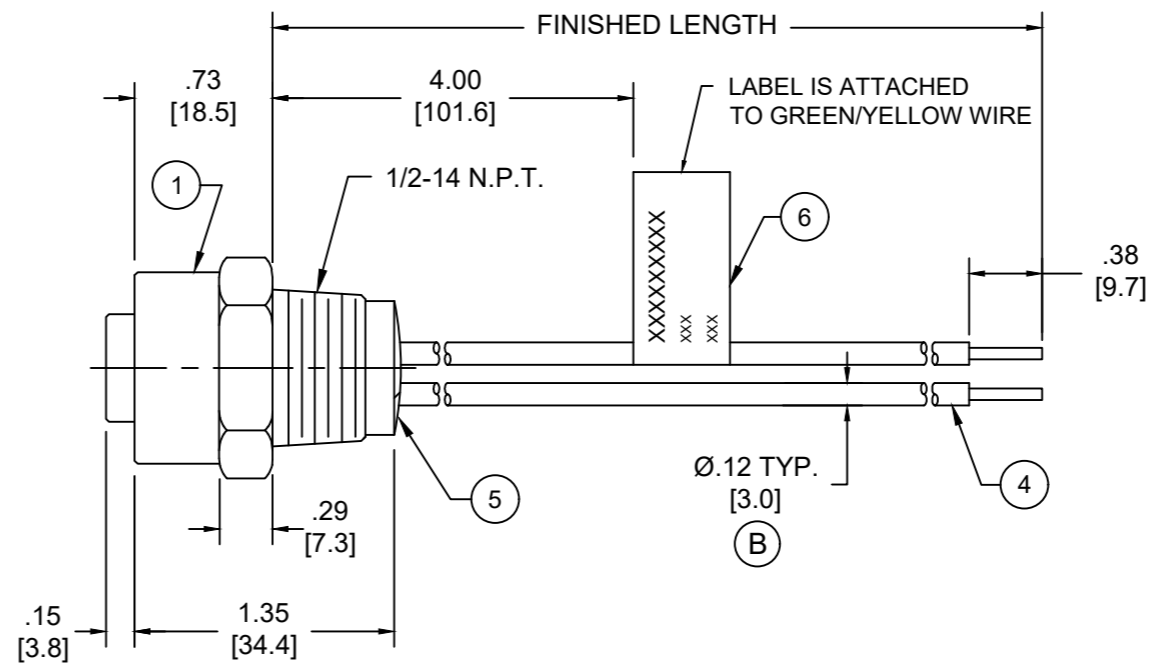
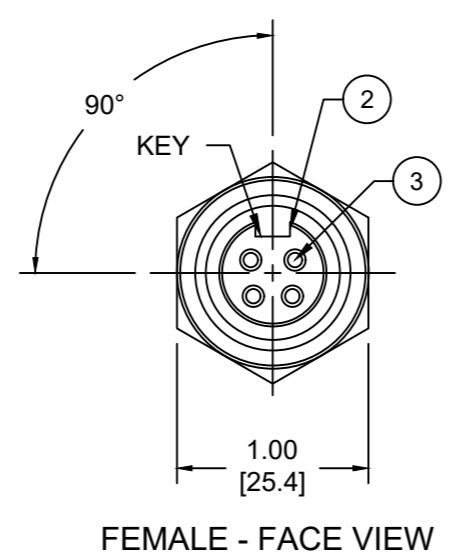
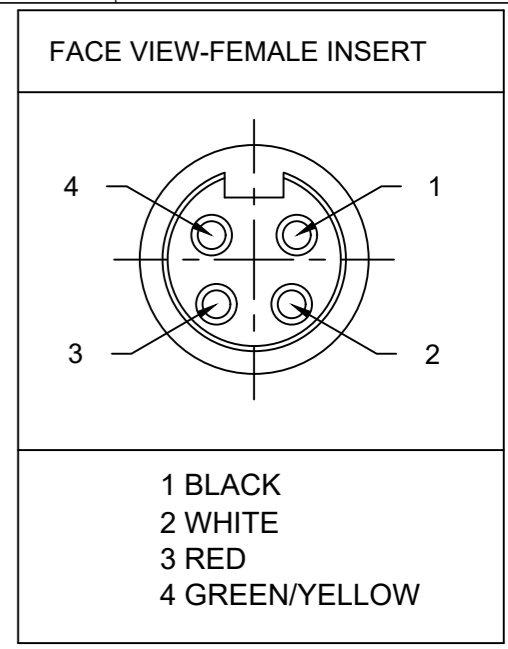


PART NO	ENGINEERING NO.	FINISHED LENGTH
1300660254	1R4000A20M005G	0.5M [1 FT 8 IN]
1300662030	1R4000A20M010G	1M [3 FT 3 IN]
1300660062	1R4000A20M020G	2M [6 FT 7 IN]
1300660063	1R4000A20M030G	3M [9 FT 10 IN]



PART NO. MATRIX
1R4000A20M005G

FINISHED LENGTH:
M005= 0.5 METER
M010= 1 METER
M100= 10 METER

(B)

CABLE LENGTH TOLERANCES

<.3M [1FT]:	+19mm-0 [+1.75in-0]
.3 - .9M [1 - 3FT]:	+44.5mm-0 [+1.75in-0]
.9 - 1.8M [3 - 6FT]:	+55.6mm-0 [+2.19in-0]
1.8 - 3.7M [6 - 12FT]:	+88.9mm-0 [+3.50in-0]
3.7 - 7.3M [12 - 24FT]:	+165.1mm-0 [+6.50in-0]
7.3-14.6M [24 - 48FT]:	+317.5mm-0 [+12.50in-0]
14.6 - 30.5M [48-100FT]:	+622.3mm-0 [+24.50in-0]
OVER 30M [100FT]	+2% OF FINISHED LENGTH

- NOTES:
1. MATERIAL: AS NOTED
 2. FINISH: AS NOTED
 3. ELECTRICAL:
VOLTAGE: 483V PER IEC60664 (B)
600V PER UL2237
CURRENT: 10A
 4. TEMP RATING: -20°TO +105°C (B)
 5. PROTECTION: IP67 (WHEN MATED)
 6. COUPLING THREAD: 7/8-16UN
 7. UL LISTED FILE: E258922 (B)
 8. ALL DIMENSIONS ARE FOR REFERENCE UNLESS TOLERANCED OR NOTED OTHERWISE

ITEM	DESCRIPTION	MATERIAL	FINISH
6	FLAG LABEL	VINYL	BLACK/YELLOW
5	POTTING MATERIAL	EPOXY	
4	WIRE, 16 AWG (UL1015)	PVC INSULATION	SEE FACE VIEW
3	CONTACT SOCKET	COPPER ALLOY	GOLD PLATED
2	FEMALE INSERT	TPE	BLACK
1	RECEPTACLE SHELL	ZINC DIE-CAST	NICKEL PLATED

FUNCTIONAL SYMBOLS F=0 E=0 P=0	THIS DRAWING CONTAINS INFORMATION THAT IS PROPRIETARY TO MOLEX ELECTRONIC TECHNOLOGIES, LLC AND SHOULD NOT BE USED WITHOUT WRITTEN PERMISSION		CURRENT REV DESC: ITEM #2 WAS PVC. ADDED UL & CABLE DIA. MODIFIED IEC VOLTAGE, TEMP RATING AND MATERIAL NUMBER CHART						
	GENERAL TOLERANCES (UNLESS SPECIFIED)						EC NO: 663067		
	DIVISIONAL SYMBOLS		DRWN: ABENJAMINLW 2021/02/08		BRAD POWER RECEPTACLE A-SIZE				
	DRAFT WHERE APPLICABLE MUST REMAIN WITHIN DIMENSIONS		APPR: BWOODMAN 2021/05/13		4 POLE, FEMALE, STRAIGHT, SINGLE KEY, 16 AWG				
THIRD ANGLE PROJECTION		DRAWING		SERIES		DOCUMENT NUMBER		DOC TYPE/DOC PART/REVISION	
B-SIZE		130066		MATERIAL NUMBER		CUSTOMER		SHEET NUMBER	
SEE CHART		GENERAL MARKET		SD-130066-078		PSD 001		B	
1 OF 1									