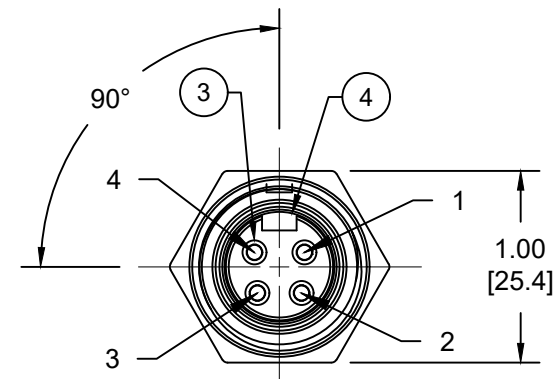
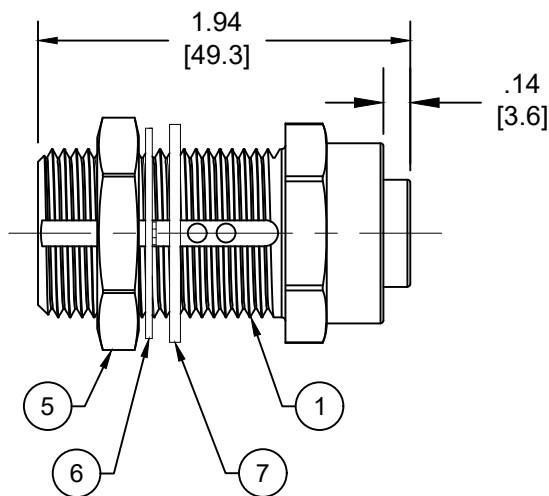


MALE INSERT - FRONT VIEW



FEMALE INSERT - FRONT VIEW

NOTES:

1. MATERIAL: AS NOTED
2. FINISH: AS NOTED
3. ELECTRICAL:  
VOLTAGE: 300V  
CURRENT: 8A (D)
4. TEMP RATING: -20°TO +60°C
5. PROTECTION: IP67 (WHEN MATED)
6. COUPLING THREAD: 7/8-16UN
7. CSA CERTIFIED FILE: LR6837 (D)
8. ALL DIMENSIONS ARE FOR REFERENCE  
UNLESS TOLERANCED OR NOTED OTHERWISE

1300130388	1R4030	NICKEL PLATED BRASS	BRASS	NICKEL OVER COPPER
1300131001	1R40301	303 STAINLESS STEEL	STAINLESS STEEL	PASSIVATED
MATERIAL NO.	ENGINEERING NO.	SHELL MATERIAL	MATERIAL	FINISH
			LOCK NUT	

7	GASKET	NEOPRENE	BLACK
6	THRUST WASHER	NYLON	
5	LOCKNUT	SEE CHART	SEE CHART
4	FEMALE INSERT	TPC	YELLOW
3	PIN/SOCKET CONTACT	COPPER ALLOY	GOLD/NICKEL PLATED
2	MALE INSERT	TPE	YELLOW
1	RECEPTACLE SHELL	SEE CHART	SEE CHART
ITEM	DESCRIPTION	MATERIAL	FINISH

THIS DRAWING CONTAINS INFORMATION THAT IS PROPRIETARY TO MOLEX ELECTRONIC TECHNOLOGIES, LLC AND SHOULD NOT BE USED WITHOUT WRITTEN PERMISSION

FUNCTIONAL SYMBOLS	DIMENSION UNITS	SCALE	CURRENT REV DESC: ITEM #2 WAS PVC & ITEM #4 WAS TPE. CURRENT RATING WAS 7A. UPDATED PIN LOCATIONS. ADDED CSA IN NOTES. LOCK NUT MATERIAL UPDATED.
	INCH/MM	NTS	
DIVISIONAL SYMBOLS	GENERAL TOLERANCES (UNLESS SPECIFIED)		EC NO: 669893 DRWN: ABENJAMINLW 2021/02/26 CHK'D: RSTONE 2021/07/12 APPR: BWOODMAN 2021/07/14
		mm	
	4 PLACES	±----	±----
	3 PLACES	±----	±----
	2 PLACES	±----	±----
	1 PLACE	±----	±----
	0 PLACES	±----	±----
	ANGULAR TOL ± ---- °		INITIAL REVISION: DRWN: LHARTMAN 2008/10/27 APPR: DTITUS 2008/10/28
DRAFT WHERE APPLICABLE MUST REMAIN WITHIN DIMENSIONS		THIRD ANGLE PROJECTION	DRAWING A-SIZE

MINI-CHANGE RECEPTACLE, A-SIZE  
4 POLE, MALE-FEMALE, PASS-THRU

PRODUCT CUSTOMER DRAWING

DOCUMENT NUMBER	DOC TYPE	DOC PART	REVISION
SD-130013-001	PSD	001	D

MATERIAL NUMBER	CUSTOMER	SHEET NUMBER
SEE CHART	FOUNDATION FIELDBUS	1 OF 1