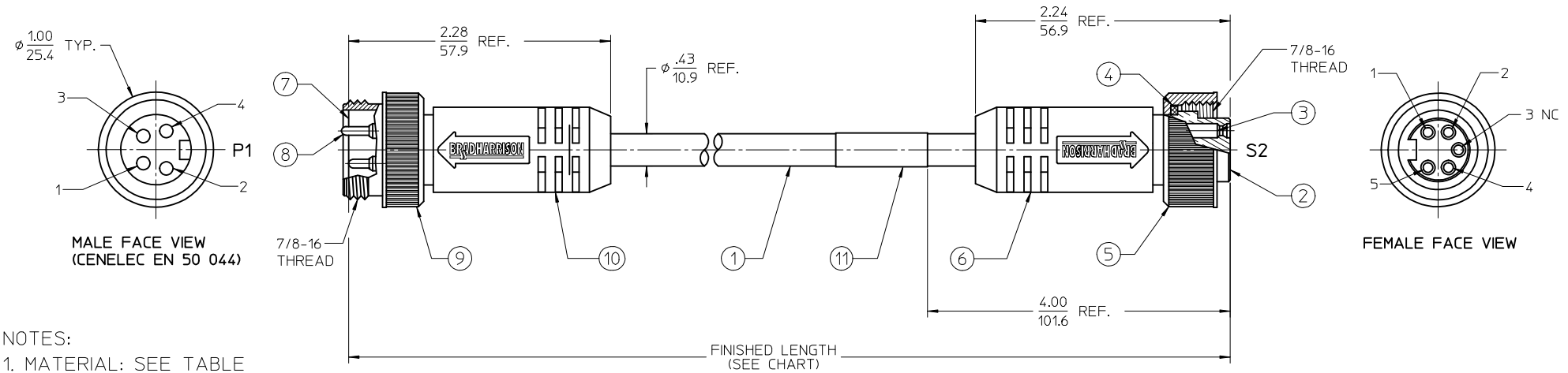


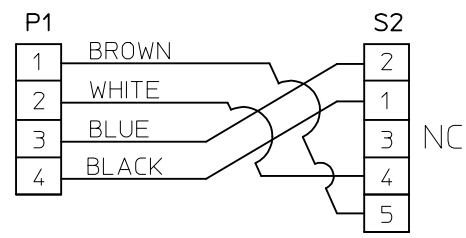
MATERIAL NO.	ENGINEERING NO.	FINISHED LENGTH
1300090845	130009-0846-M010	3'3" (1M)
1300090846	130009-0846-M020	6'7" (2M)
1300090847	130009-0846-M030	9'10" (3M)
1300090848	130009-0846-M040	13'1" (4M)
1300090849	130009-0846-M050	16'5" (5M)
1300090862	130009-0846-M060	19'8" (6M)
1300090850	130009-0846-M080	26'3" (8M)
1300090851	130009-0846-M100	32'10" (10M)
1300090852	130009-0846-M003	0'11.8" (0.3M)
1300090853	130009-0846-M006	1'11.6" (0.6M)

**PART NO. LEGEND**  
1300090845-M010

FINISHED LENGTH  
M005= 0.5 METER  
M010= 1 METER  
M100= 10 METERS



- NOTES:**
1. MATERIAL: SEE TABLE
  2. FINISHES: SEE TABLE
  3. ELECTRICAL SPECIFICATIONS  
VOLTAGE RATING: 400V PER IEC60664  
600V PER UL2238  
CURRENT RATING: 10 AMPS
  4. PROTECTION: IP67 (WHEN MATED)
  5. ASSEMBLY IS RoHS COMPLIANT BY EXEMPTION
  6. AGENCY: UL PENDING.



**CABLE LENGTH TOLERANCES**

>.3M [1FT]:	+19mm-0 [+1.75in-0]
.3 - .9M [1 - 3FT]:	+44.5mm-0 [+1.75in-0]
.9 - 1.8M [3 - 6FT]:	+55.6mm-0 [+2.19in-0]
1.8 - 3.7M [6 - 12FT]:	+88.9mm-0 [+3.50in-0]
3.7 - 7.3M [12 - 24FT]:	+165.1mm-0 [+6.50in-0]
7.3-14.6M [24 - 48FT]:	+317.5mm-0 [+12.50in-0]
14.6 - 30.5M [48-100FT]:	+622.3mm-0 [+24.50in-0]
OVER 30M [100FT]	+2% OF FINISHED LENGTH

**TABLE**

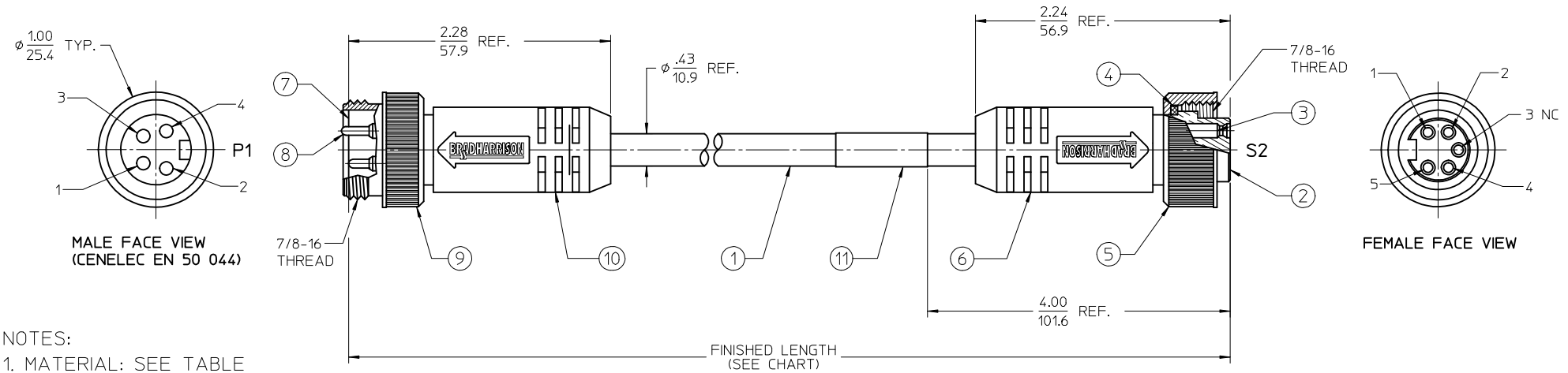
ITEM	DESCRIPTION	MATERIAL	FINISH
11	WRAP PABEL	VINYL	BLACK/YELLOW
10	OVERMOLD	TPE	YELLOW
9	COUPLING, MALE	ZINC DIE-CAST	BLACK E-COAT
8	CONTACT PIN, 16 AWG	Cu ALLOY	GOLD PLATED
7	INSERT, 4P MALE	TPE	YELLOW
6	OVERMOLD	TPE	YELLOW
5	COUPLING, FEMALE	ZINC DIE-CAST	BLACK E-COAT
4	FRICTION RING	NYLON	WHITE
3	CONTACT SOCKET, 16 AWG	Cu ALLOY	GOLD PLATED
2	INSERT, 5P, FEMALE	TPE	YELLOW
1	CABLE, 16/4, 90°C, 600V	TPE JACKET	YELLOW
ITEM	DESCRIPTION	MATERIAL	FINISH

REPLACEMENT FOR RSD-09009-05 EC NO: IPG2018-0182 DRW:AAKHTAR 2017/09/19 CHK:DRSTONE 2017/09/19 APPR:BWODMAN 2017/09/21 REV A	<b>QUALITY SYMBOLS</b> ▽=0 ▽=0	<b>GENERAL TOLERANCES (UNLESS SPECIFIED)</b> <table border="1"> <thead> <tr> <th></th> <th>mm</th> <th>INCH</th> </tr> </thead> <tbody> <tr><td>4 PLACES</td><td>± ---</td><td>± ---</td></tr> <tr><td>3 PLACES</td><td>± ---</td><td>± ---</td></tr> <tr><td>2 PLACES</td><td>± ---</td><td>± .01</td></tr> <tr><td>1 PLACE</td><td>± 0.3</td><td>± ---</td></tr> <tr><td>0 PLACE</td><td>± ---</td><td>± ---</td></tr> </tbody> </table>		mm	INCH	4 PLACES	± ---	± ---	3 PLACES	± ---	± ---	2 PLACES	± ---	± .01	1 PLACE	± 0.3	± ---	0 PLACE	± ---	± ---	<b>DIMENSION STYLE</b> IN/MM DRAWN BY: AAKHTAR DATE: 2017/09/19 CHECKED BY: _____ DATE: _____ APPROVED BY: BWODMAN DATE: 2017/09/21 MATERIAL NO. _____ <b>SEE CHART</b>	<b>SCALE</b> 1:1.33 <b>DESIGN UNITS</b> INCH <b>THIRD ANGLE PROJECTION</b>	<b>DOCUMENT NO.</b> SD-130009-017 <b>SHEET NO.</b> 1 OF 1
		mm	INCH																				
	4 PLACES	± ---	± ---																				
	3 PLACES	± ---	± ---																				
2 PLACES	± ---	± .01																					
1 PLACE	± 0.3	± ---																					
0 PLACE	± ---	± ---																					
<b>MINI-CHANGE CORD ASSY</b> <b>4P MALE TO 5P FEMALE</b> <b>16/4 TPE SPECIAL</b> 																							
<b>DRAFT WHERE APPLICABLE MUST REMAIN WITHIN DIMENSIONS</b>																							
<b>THIS DRAWING CONTAINS INFORMATION THAT IS PROPRIETARY TO MOLEX INCORPORATED AND SHOULD NOT BE USED WITHOUT WRITTEN PERMISSION</b>																							

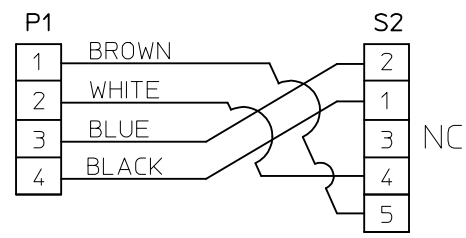
MATERIAL NO.	ENGINEERING NO.	FINISHED LENGTH
1300090845	130009-0846-M010	3'3" (1M)
1300090846	130009-0846-M020	6'7" (2M)
1300090847	130009-0846-M030	9'10" (3M)
1300090848	130009-0846-M040	13'1" (4M)
1300090849	130009-0846-M050	16'5" (5M)
1300090862	130009-0846-M060	19'8" (6M)
1300090850	130009-0846-M080	26'3" (8M)
1300090851	130009-0846-M100	32'10" (10M)
1300090852	130009-0846-M003	0'11.8" (0.3M)
1300090853	130009-0846-M006	1'11.6" (0.6M)

**PART NO. LEGEND**  
1300090845-M010

FINISHED LENGTH  
M005= 0.5 METER  
M010= 1 METER  
M100= 10 METERS



- NOTES:**
- MATERIAL: SEE TABLE
  - FINISHES: SEE TABLE
  - ELECTRICAL SPECIFICATIONS  
VOLTAGE RATING: 400V PER IEC60664  
600V PER UL2238  
CURRENT RATING: 10 AMPS
  - PROTECTION: IP67 (WHEN MATED)
  - ASSEMBLY IS RoHS COMPLIANT BY EXEMPTION
  - AGENCY: UL PENDING.



**CABLE LENGTH TOLERANCES**

>.3M [1FT]:	+19mm-0 [+1.75in-0]
.3 - .9M [1 - 3FT]:	+44.5mm-0 [+1.75in-0]
.9 - 1.8M [3 - 6FT]:	+55.6mm-0 [+2.19in-0]
1.8 - 3.7M [6 - 12FT]:	+88.9mm-0 [+3.50in-0]
3.7 - 7.3M [12 - 24FT]:	+165.1mm-0 [+6.50in-0]
7.3-14.6M [24 - 48FT]:	+317.5mm-0 [+12.50in-0]
14.6 - 30.5M [48-100FT]:	+622.3mm-0 [+24.50in-0]
OVER 30M [100FT]	+2% OF FINISHED LENGTH

**TABLE**

ITEM	DESCRIPTION	MATERIAL	FINISH
11	WRAP PABEL	VINYL	BLACK/YELLOW
10	OVERMOLD	TPE	YELLOW
9	COUPLING, MALE	ZINC DIE-CAST	BLACK E-COAT
8	CONTACT PIN, 16 AWG	Cu ALLOY	GOLD PLATED
7	INSERT, 4P MALE	TPE	YELLOW
6	OVERMOLD	TPE	YELLOW
5	COUPLING, FEMALE	ZINC DIE-CAST	BLACK E-COAT
4	FRICTION RING	NYLON	WHITE
3	CONTACT SOCKET, 16 AWG	Cu ALLOY	GOLD PLATED
2	INSERT, 5P, FEMALE	TPE	YELLOW
1	CABLE, 16/4, 90°C, 600V	TPE JACKET	YELLOW

REPLACEMENT FOR RSD-09009-05 EC NO: IPG2018-0182 DRW:AAKHTAR 2017/09/19 CHK:DRSTONE 2017/09/19 APPR:BWODMAN 2017/09/21	QUALITY SYMBOLS ▽=0 ▽=0	GENERAL TOLERANCES (UNLESS SPECIFIED) <table border="1"> <thead> <tr> <th></th> <th>mm</th> <th>INCH</th> </tr> </thead> <tbody> <tr><td>4 PLACES</td><td>± .---</td><td>± .---</td></tr> <tr><td>3 PLACES</td><td>± .---</td><td>± .---</td></tr> <tr><td>2 PLACES</td><td>± .---</td><td>± .01</td></tr> <tr><td>1 PLACE</td><td>± 0.3</td><td>± .---</td></tr> <tr><td>0 PLACE</td><td>± .---</td><td>± .---</td></tr> </tbody> </table>		mm	INCH	4 PLACES	± .---	± .---	3 PLACES	± .---	± .---	2 PLACES	± .---	± .01	1 PLACE	± 0.3	± .---	0 PLACE	± .---	± .---	DIMENSION STYLE <b>IN/MM</b> DRAWN BY: AAKHTAR DATE: 2017/09/19 CHECKED BY: DATE:	SCALE: <b>1:1.33</b> DESIGN UNITS: <b>INCH</b> THIRD ANGLE PROJECTION
		mm	INCH																			
	4 PLACES	± .---	± .---																			
	3 PLACES	± .---	± .---																			
2 PLACES	± .---	± .01																				
1 PLACE	± 0.3	± .---																				
0 PLACE	± .---	± .---																				
DESCRIPTION <b>MINI-CHANGE CORD ASSY 4P MALE TO 5P FEMALE 16/4 TPE SPECIAL</b>	APPROVED BY: BWODMAN DATE: 2017/09/21 MATERIAL NO.	DOCUMENT NO. <b>SD-130009-017</b>	SHEET NO. <b>1 OF 1</b>																			
DRAFT WHERE APPLICABLE MUST REMAIN WITHIN DIMENSIONS	SIZE: <b>C</b>	THIS DRAWING CONTAINS INFORMATION THAT IS PROPRIETARY TO MOLEX INCORPORATED AND SHOULD NOT BE USED WITHOUT WRITTEN PERMISSION																				