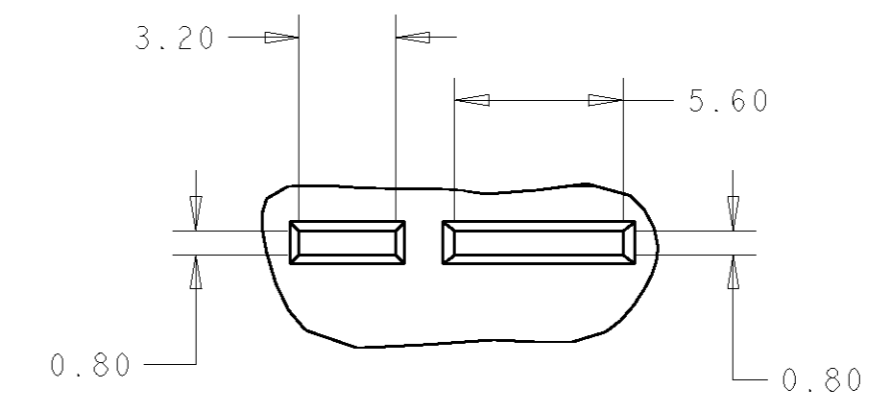
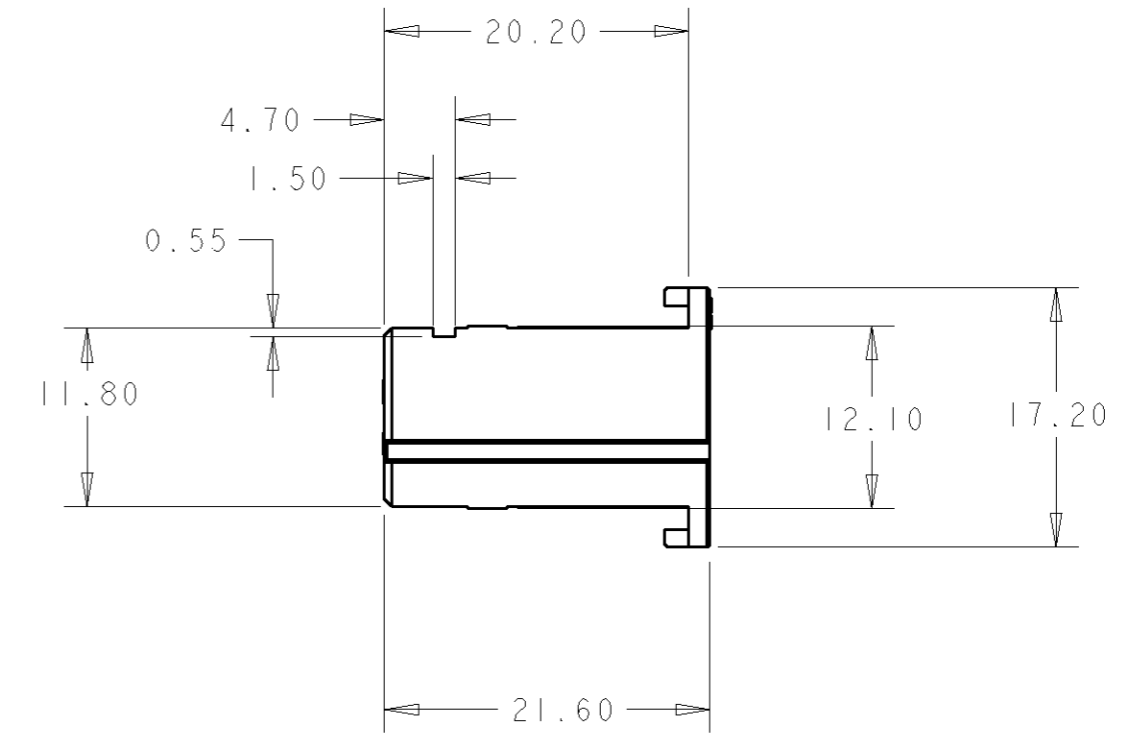
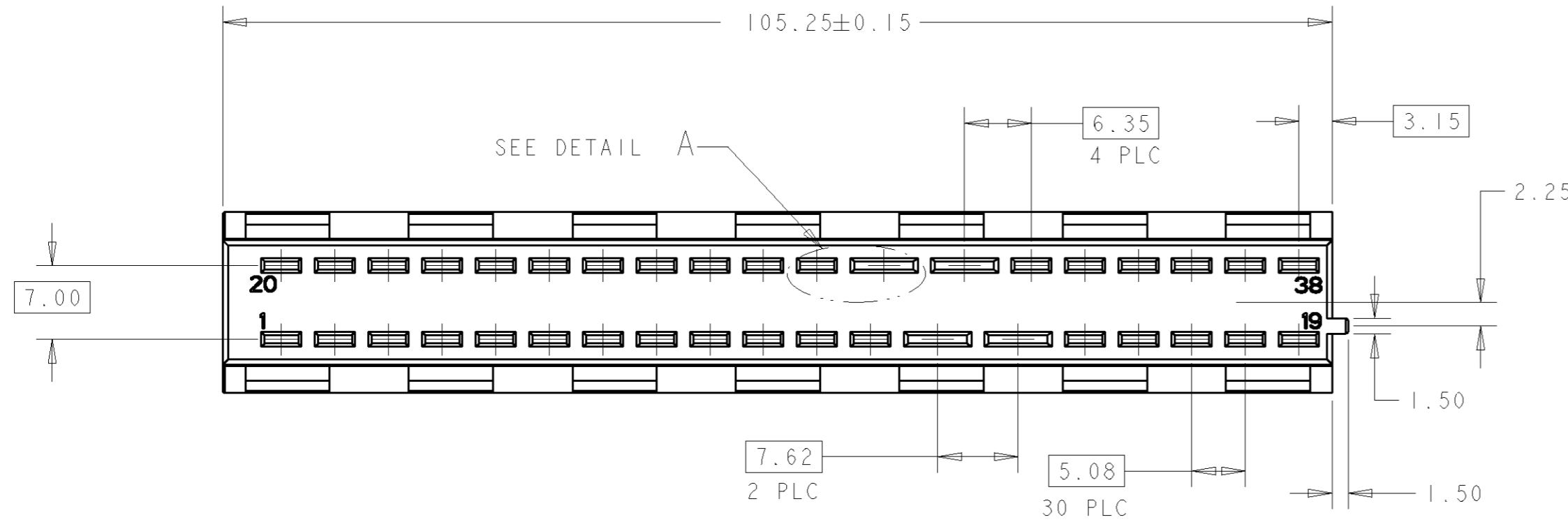
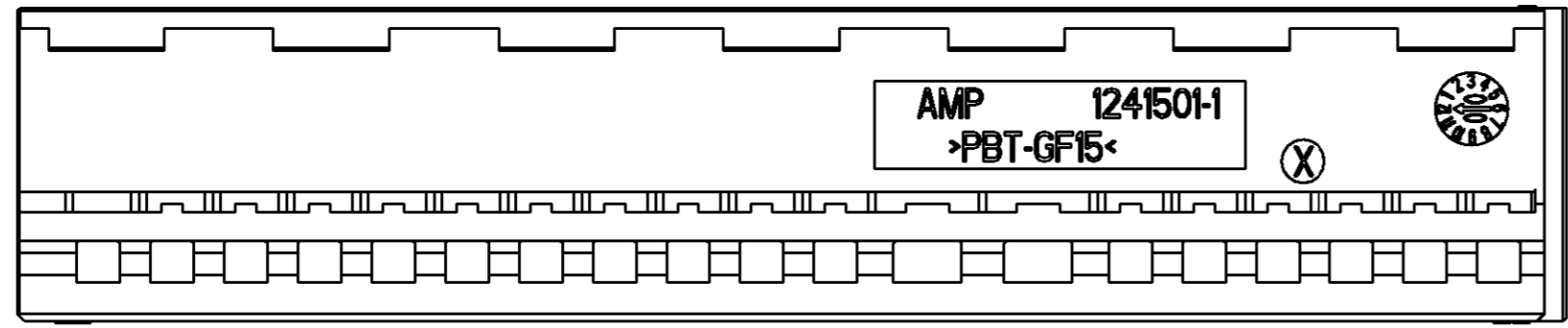


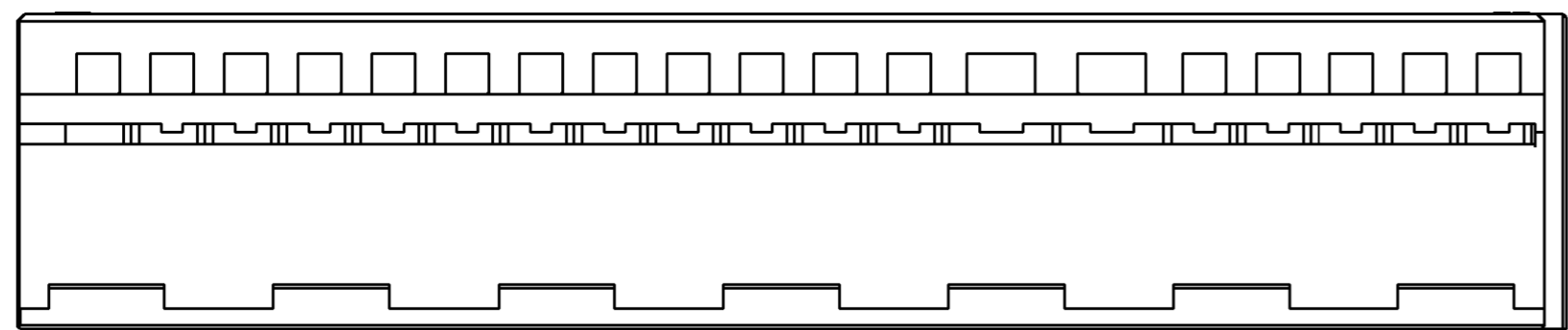
THIS DRAWING IS UNPUBLISHED. RELEASED FOR PUBLICATION 20
 © COPYRIGHT 20 BY TYCO ELECTRONICS CORPORATION. ALL RIGHTS RESERVED.

LOC	DIST	REVISIONS			
P	LTR	DESCRIPTION	DATE	DWN	APVD
G0	00				
	G	REV PER OK40-0669-01	07DEC2001	WH	PPS



DETAIL A
SCALE 4:1

1. COLOR: GRAY



1241501-1
PART NUMBER

THIS DRAWING IS A CONTROLLED DOCUMENT FOR TYCO ELECTRONICS CORPORATION. IT IS SUBJECT TO CHANGE AND THE CONTROLLING ENGINEERING ORGANIZATION SHOULD BE CONTACTED FOR THE LATEST REVISION.		DWN d.marpoe 29 JAN 2001	Tyco Electronics Harrisburg, PA 17105-3608	
DIMENSIONS: mm		CHK R.COOPER 29 JAN 2001		
TOLERANCES UNLESS OTHERWISE SPECIFIED: 0 PLC ± 1 PLC ±0.3 2 PLC ±0.2 3 PLC ± 4 PLC ±		APVD R.COOPER 29 JAN 2001	NAME 38 POSITION BLOCK	
MATERIAL PBT GF15, COLOR-GRAY		PRODUCT SPEC -	APPLICATION SPEC -	
FINISH -		ANGLES ±0°30'	SIZE A2	CAGE CODE 00779
		FINISH -	DRAWING NO 1241501	RESTRICTED TO -
			SCALE 2:1	SHEET 1 OF 1
				REV G