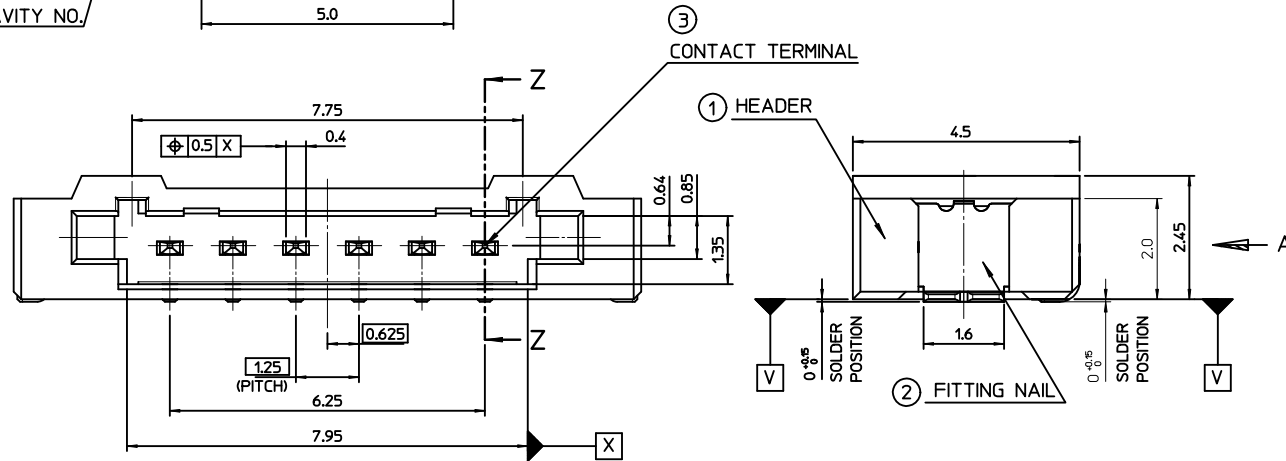
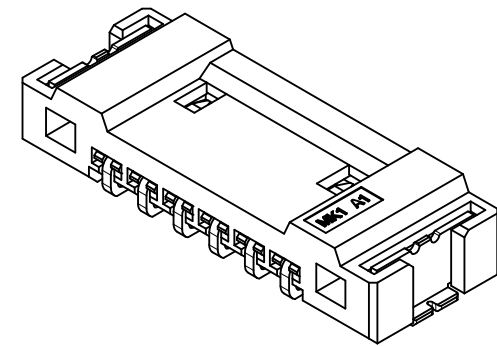
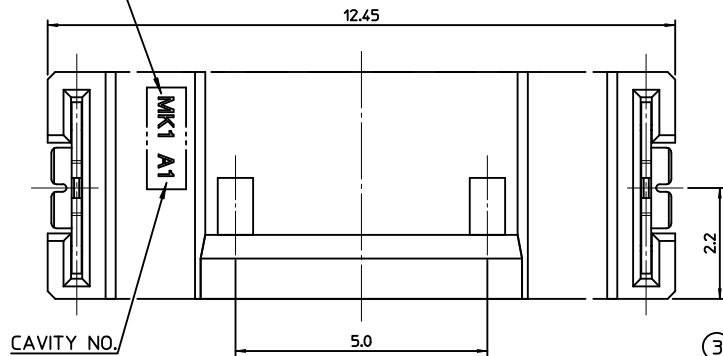
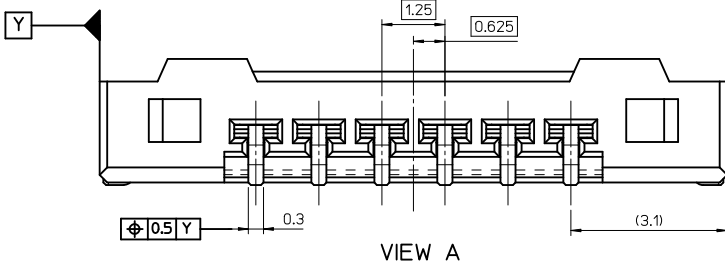


TRADE MARK



NOTE

1. MATED WITH : 104077-0600, 104077-0610
2. MATERIALS
 - ① - HEADER : LCP(E130I), GLASS FILLED, UL94V-0, HALOGEN FREE, COLOR OF NATURAL
 - ② - FITTING NAIL : PHOSPHOR BRONZE, 0.20mm THICKNESS
 - ③ - CONTACT TERMINAL : POSPHOR BRONZ,0.25mm THICKNESS
3. FINISHES
 - ② - FITTING NAIL : PURE-TIN PLATING ON OVERALL. THICKNESS 3.0μm~5.0μm UNDER PLATING Ni OVERALL. THICKNESS 1.25μm~3.75μm
 - ③ - CONTACT TERMINAL : PURE-TIN PLATING ON OVERALL. THICKNESS 3.0μm~5.0μm UNDER PLATING Ni OVERALL. THICKNESS 1.25μm~3.75μm
4. COPLANALITY OF SOLDER TAILS (PEAK TEMP. : 260°C), BEFORE & AFTER REFLOW : 0.08MAX



NEW RELEASED
 EC NO: KOR2011-0057
 DRWN:CBCHN 2010/12/02
 CHKD:SH-CHU 2010/12/02
 APPR:YUNSIKKIM 2010/12/02

REV	DESCRIPTION
A	

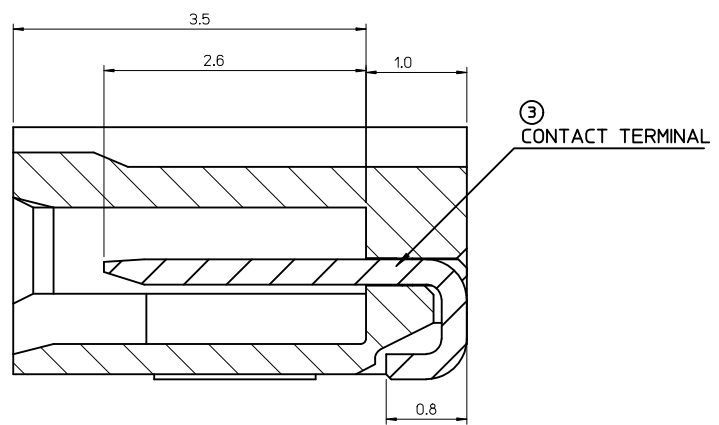
QUALITY SYMBOLS 	GENERAL TOLERANCES (UNLESS SPECIFIED)	
	mm	INCH
	4 PLACES	± --- ± ---
	3 PLACES	± --- ± ---
	2 PLACES	± 0.20 ± ---
1 PLACE	± 0.25 ± ---	
ANGULAR ± 1 °		
DRAFT WHERE APPLICABLE MUST REMAIN WITHIN DIMENSIONS		

DIMENSION STYLE MM ONLY	
DRAWN BY JB. JIN	DATE 2010/06/29
CHECKED BY SH. CHU	DATE 2010/06/29
APPROVED BY YS00.KIM	DATE 2010/06/29
MATERIAL NO. 1040780610	

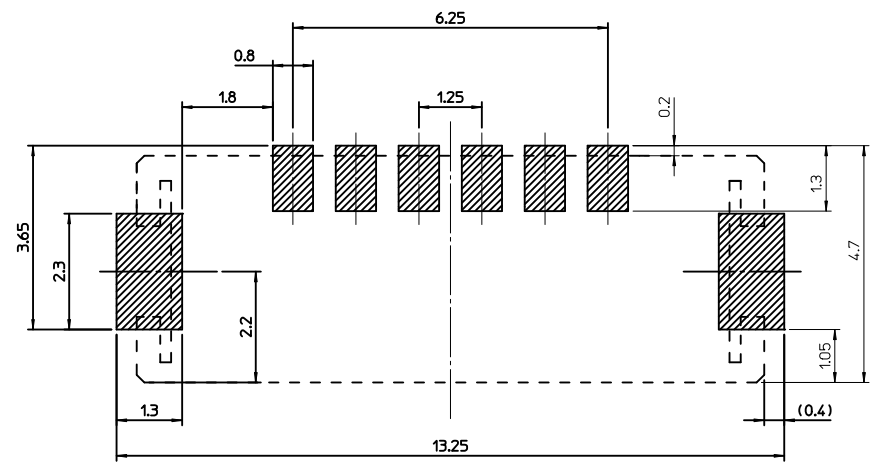
SCALE 10:1
DESIGN UNITS METRIC
THIRD ANGLE PROJECTION

ORDER NUMBER 104078-0610	TITLE 1.25 W-T-B CONN. HEADER ASS'Y-6P	
MOLEX INCORPORATED		SHEET NO. 1 OF 02
DOCUMENT NO. SD-104078-001		

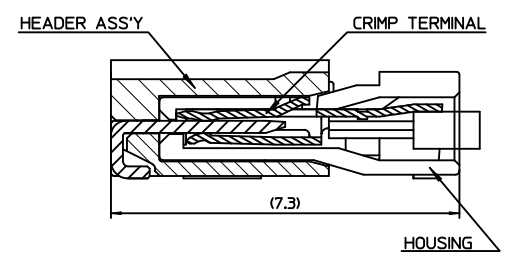
10 9 8 7 6 5 4 3 2 1



SECTION Z-Z (SCALE 20:1)



RECOMMEND PATTERN (REF.)
(GENERAL TOLERANCE ±0.05)



MATED CONDITION (REF.)

NEW RELEASED EC NO: KOR2011-0057 DRWN: CBCHIN 2010/12/02 CHKD: SH. CHU 2010/12/02 APPR: YUNSIKKIM 2010/12/02	QUALITY SYMBOLS ▽=0 ◻=0	GENERAL TOLERANCES (UNLESS SPECIFIED)		DIMENSION STYLE MM ONLY		SCALE 10:1	DESIGN UNITS METRIC	THIRD ANGLE PROJECTION		
			mm	INCH	DRAWN BY	DATE	TITLE			
		4 PLACES	± ---	± ---	JB. JIN	2010/06/29	1.25 W-T-B CONN. HEADER ASS'Y-6P			
		3 PLACES	± ---	± ---	CHECKED BY	DATE				
2 PLACES	± 0.20	± ---	SH. CHU	2010/06/29	MOLEX INCORPORATED					
1 PLACE	± 0.25	± ---	APPROVED BY	DATE						
ANGULAR ± 1 °		DRAFT WHERE APPLICABLE MUST REMAIN WITHIN DIMENSIONS		MATERIAL NO.		DOCUMENT NO.		SHEET NO.		
				1040780610		SD-104078-001		2 OF 02		
				THIS DRAWING CONTAINS INFORMATION THAT IS PROPRIETARY TO MOLEX INCORPORATED AND SHOULD NOT BE USED WITHOUT WRITTEN PERMISSION						

9 8 7 6 5 4 3 2 1

