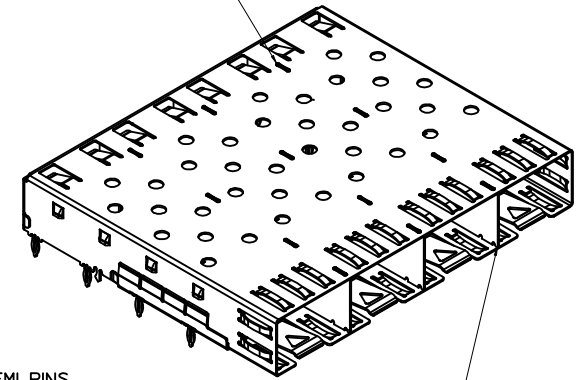
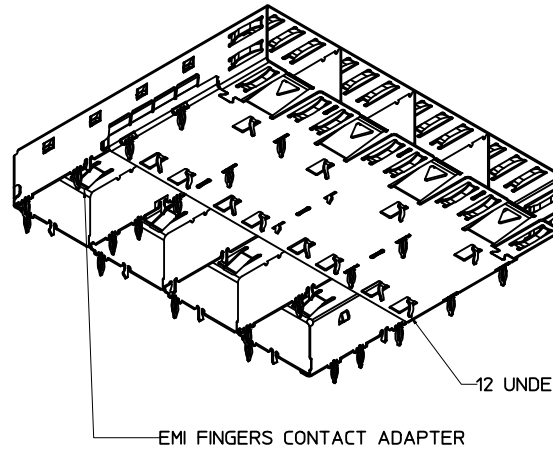
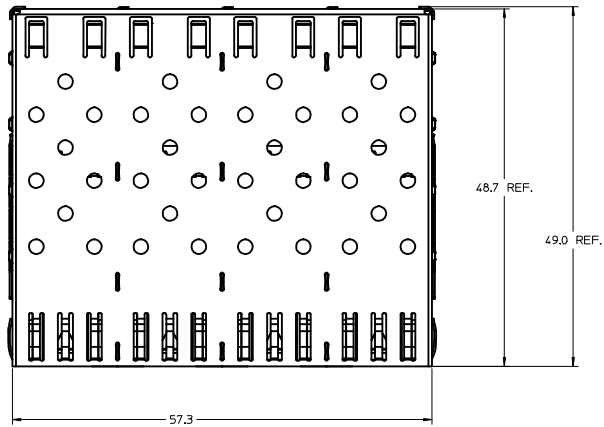
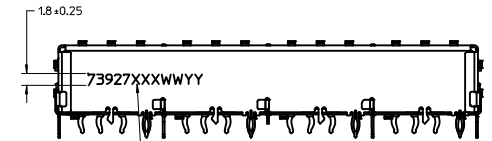
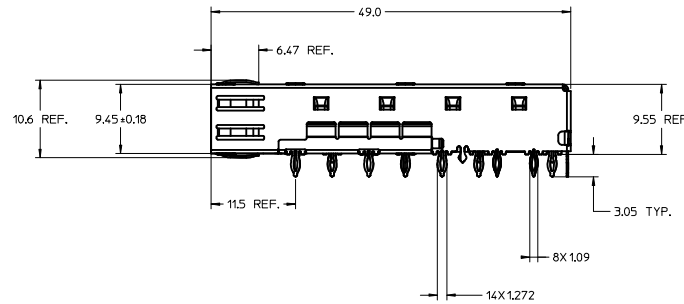
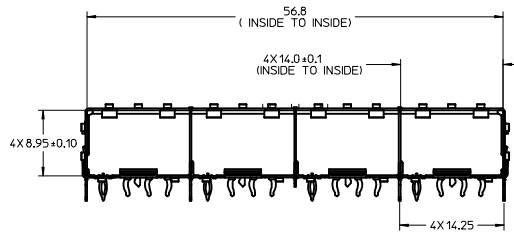


MM 3D MODEL: TM-73927-0470



DIMENSIONS OF EACH INNER CAGE DESIGNED TO FUNCTION WITH SMALL FORM-FACTOR PLUGGABLE (SFP) TRANSCEIVER



PART NO. AND WEEK/YEAR DATE CODE TO BE PRINTED ON BACK OF COMPLETED CAGE ASSEMBLY APPROXIMATELY AS SHOWN. SEE TABLE BELOW FOR DATE CODE INFORMATION.

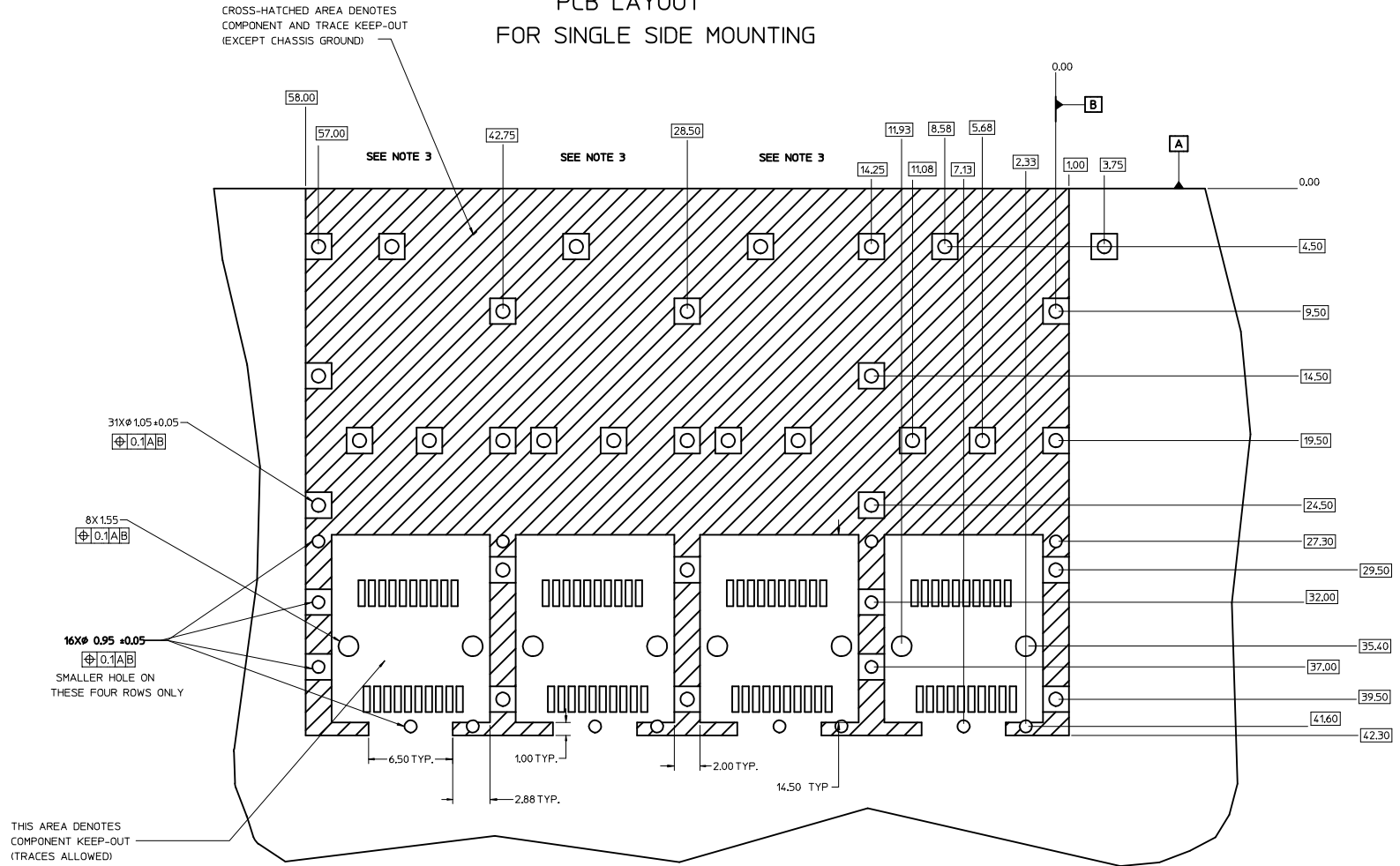
WEEK/YEAR DATE CODE TABLE	
WW	01 THRU 52 OR 53 EXAMPLE: 01 = FIRST WEEK OF YEAR 52 = LAST WEEK OF YEAR
YY	15, 16, 17 ETC. EXAMPLE: YEAR 2015 = 15

NOTES:

- PRESS FIT LEGS 3.05 MM LONG
1.57 MM MINIMUM PCB THICKNESS FOR SINGLE SIDED USE.
2.25 MM MINIMUM PCB THICKNESS FOR BELLY TO BELLY USE.
- MATERIAL: STAINLESS STEEL
- NO RoHS EXEMPTIONS

SEE REVISION TABLE EC NO: CPG2016-1266 DRAWN: THSU CHKD: APPROVED: RCHEN08	QUALITY SYMBOLS ▽=0 ▽=0 ▽=0	GENERAL TOLERANCES (UNLESS SPECIFIED)		DIMENSION STYLE		SCALE 3:1	DESIGN UNITS METRIC	THIRD ANGLE PROJECTION
		mm	INCH	MM ONLY	DATE			
		4 PLACES	± .001	± .001	DRAWN BY	DATE	TITLE 1X4 SFP GAGED CAGE PRESS FIT 3.05MM STAINLESS STEEL	
		3 PLACES	± .002	± .002	THSU	2015/06/23		
		2 PLACES	± 0.13	± .005	CHECKED BY	DATE	DOCUMENT NO. SD-73927-0470	
		1 PLACE	± 0.25	± .010	APPROVED BY	DATE		
		0 PLACE	±	±	RCHEN08	2015/09/22	SHEET NO. 1 OF 5	
DRAFT WHERE APPLICABLE MUST REMAIN WITHIN DIMENSIONS		ANGULAR ± 1 °		MATERIAL NO. 739270470		THIS DRAWING CONTAINS INFORMATION THAT IS PROPRIETARY TO MOLEX INCORPORATED AND SHOULD NOT BE USED WITHOUT WRITTEN PERMISSION		

PCB LAYOUT FOR SINGLE SIDE MOUNTING



NOTES:

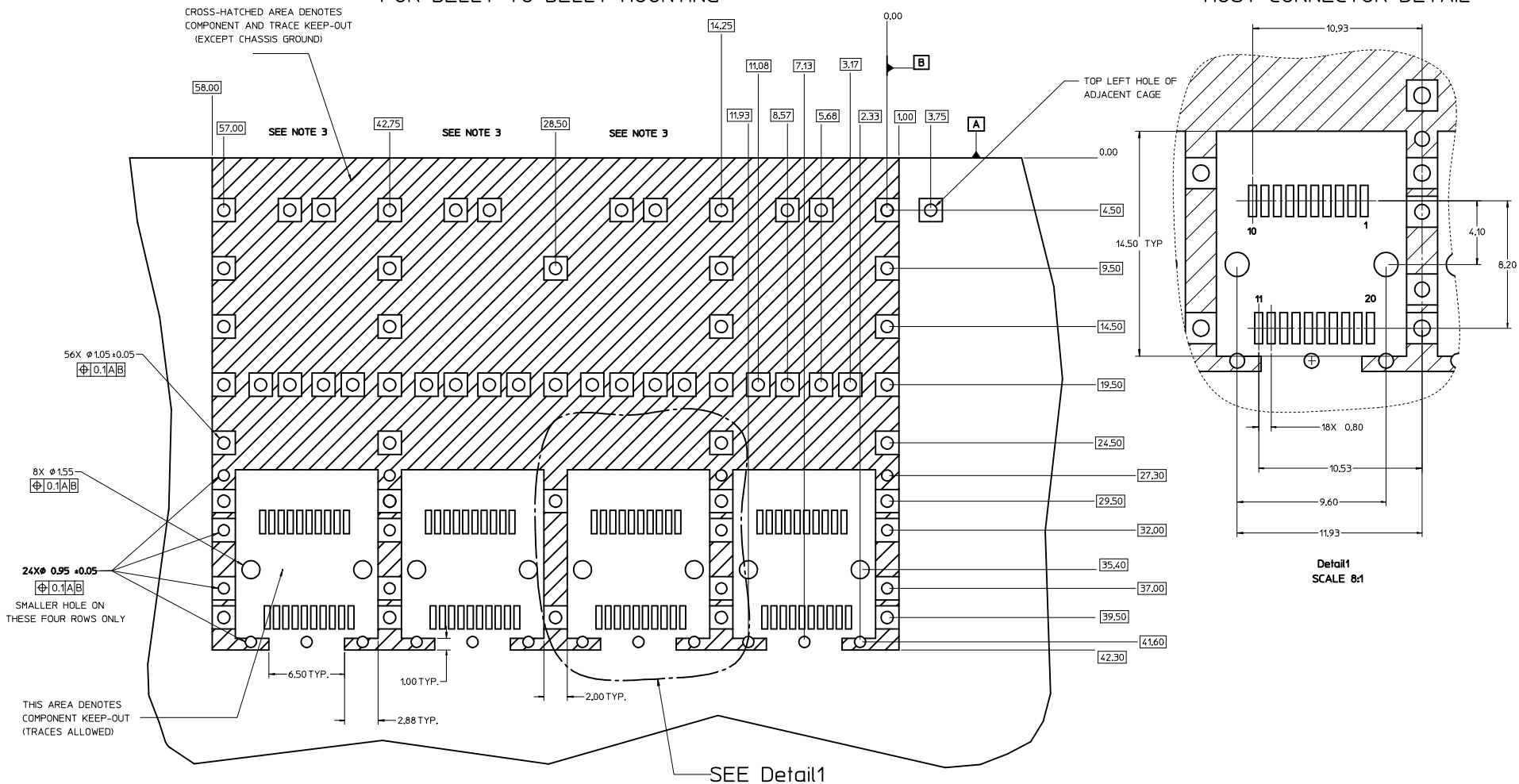
1. PADS AND VIAS GO TO CHASSIS GROUND, (34 PLACES).
RECOMMENDED PADS TO BE 2mm SQUARE
2. PLATING OPTIONAL FOR THROUGH HOLES, (12 PLACES).
3. RECOMMENDED PLATING INCLUDES HASL, IMMERSION (GOLD, SILVER, OR TIN), AND OSP.
4. HOLE PATTERN REPEATS FOR EACH PORT,
SPACING BETWEEN PORTS IS 14.25 MM
5. CONNECTOR PAD LAYOUT PER SFP MSA. WILL ACCOMODATE MOLEX
CONNECTOR SERIES 74441 OR EQUIVALENT.

SEE REVISION TABLE EC NO: CPG2016-1266 DRAWN: THSU CHKD: APPR: RCHEN08 DATE: 2015/06/23 DATE: 2015/09/22	QUALITY SYMBOLS ∇=0 ∇=0 ∇=0	GENERAL TOLERANCES (UNLESS SPECIFIED) <table border="1" style="width: 100%; border-collapse: collapse;"> <tr> <th></th> <th>mm</th> <th>INCH</th> </tr> <tr> <td>4 PLACES</td> <td>± 0.13</td> <td>± 0.005</td> </tr> <tr> <td>3 PLACES</td> <td>± 0.15</td> <td>± 0.006</td> </tr> <tr> <td>2 PLACES</td> <td>± 0.20</td> <td>± 0.008</td> </tr> <tr> <td>1 PLACE</td> <td>± 0.25</td> <td>± 0.010</td> </tr> <tr> <td>0 PLACE</td> <td>±</td> <td>±</td> </tr> </table> ANGULAR ± 1 ° DRAFT WHERE APPLICABLE MUST REMAIN WITHIN DIMENSIONS		mm	INCH	4 PLACES	± 0.13	± 0.005	3 PLACES	± 0.15	± 0.006	2 PLACES	± 0.20	± 0.008	1 PLACE	± 0.25	± 0.010	0 PLACE	±	±	DIMENSION STYLE MM ONLY	SCALE 6:1	DESIGN UNITS METRIC	THIRD ANGLE PROJECTION
		mm	INCH																					
	4 PLACES	± 0.13	± 0.005																					
	3 PLACES	± 0.15	± 0.006																					
2 PLACES	± 0.20	± 0.008																						
1 PLACE	± 0.25	± 0.010																						
0 PLACE	±	±																						
DRAWN BY: THSU CHECKED BY: DATE:		DATE: 2015/06/23		TITLE 1X4 SFP GAGED CAGE PRESS FIT 3,05MM STAINLESS STEEL																				
APPROVED BY: RCHEN08 DATE: 2015/09/22		MATERIAL NO: 739270470		DOCUMENT NO: SD-73927-0470																				
SIZE: D						SHEET NO. 2 OF 5																		

THIS DRAWING CONTAINS INFORMATION THAT IS PROPRIETARY TO MOLEX INCORPORATED AND SHOULD NOT BE USED WITHOUT WRITTEN PERMISSION

PCB LAYOUT FOR BELLY TO BELLY MOUNTING

HOST CONNECTOR DETAIL

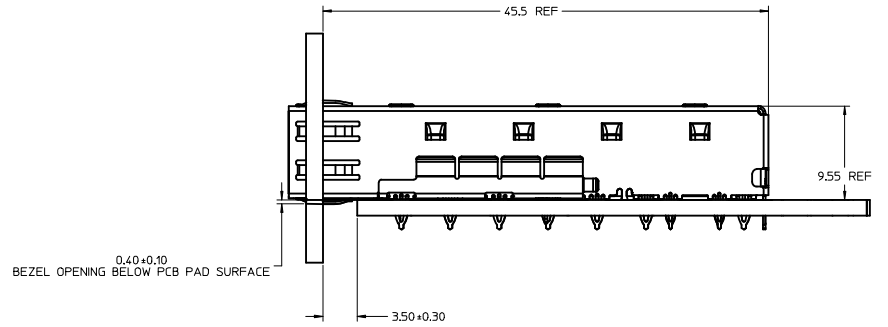
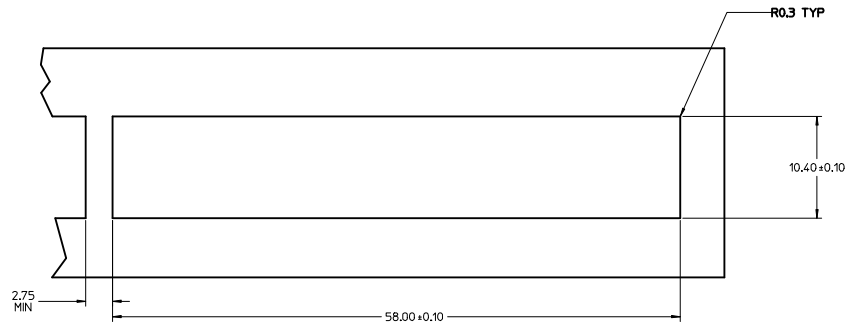


NOTES:

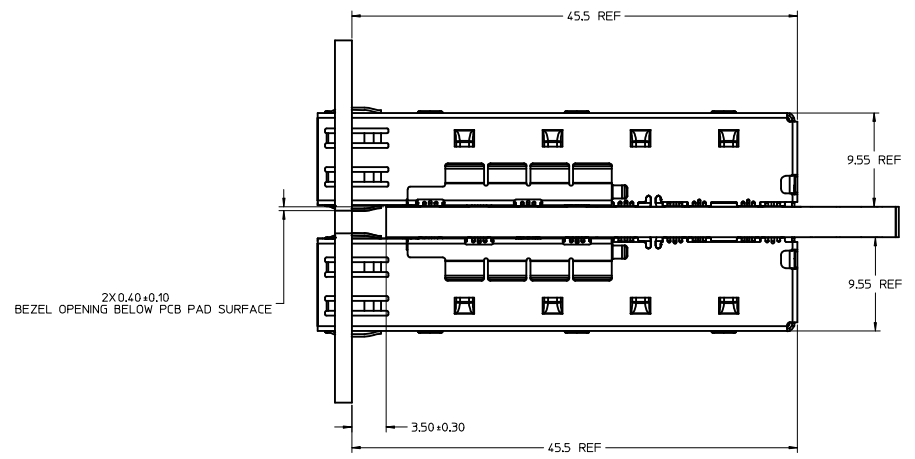
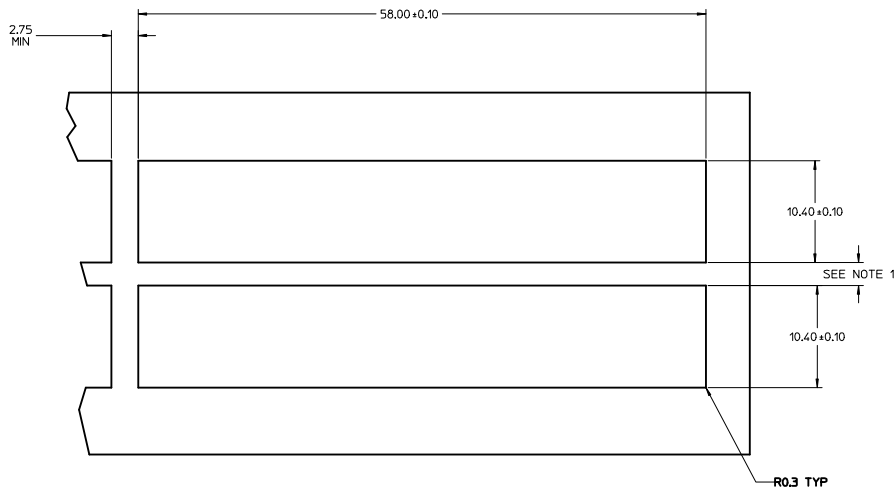
- PADS AND VIAS GO TO CHASSIS GROUND, (64 PLACES).
RECOMMENDED PADS TO BE 2mm SQUARE
- PLATING OPTIONAL FOR THROUGH HOLES, (16 PLACES).
- RECOMMENDED PLATING INCLUDES HASL, IMMERSION (GOLD, SILVER, OR TIN), AND OSP.
- HOLE PATTERN REPEATS FOR EACH PORT.
SPACING BETWEEN PORTS IS 14.25 MM
- CONNECTOR PAD LAYOUT PER SFP MSA. WILL ACCOMMODATE MOLEX CONNECTOR SERIES 74441 OR EQUIVALENT.

SEE REVISION TABLE EIC NO: CPG2016-1266 2015/06/23 DRAWN:THSU CHKO: APPROV:RCHEN08 2015/09/22	QUALITY SYMBOLS	GENERAL TOLERANCES (UNLESS SPECIFIED)	DIMENSION STYLE	SCALE	DESIGN UNITS	THIRD ANGLE PROJECTION
	$\nabla=0$ $\nabla=0$ $\nabla=0$	mm INCH 4 PLACES ± --- ± --- 3 PLACES ± --- ± --- 2 PLACES ± 0.13 ± --- 1 PLACE ± 0.25 ± --- 0 PLACE ± ± ---	MM ONLY	6:1	METRIC	
	DRAWN BY THSU DATE 2015/06/23 CHECKED BY DATE APPROVED BY RCHEN08 DATE 2015/09/22	MATERIAL NO. 739270470 DOCUMENT NO. SD-73927-0470	TITLE 1X4 SFP GAGED CAGE PRESS FIT 3.05MM STAINLESS STEEL molex			
	DRAFT WHERE APPLICABLE MUST REMAIN WITHIN DIMENSIONS	SIZE D	SHEET NO. 3 OF 5			

BEZEL AND BOARD POSITION DIMENSIONS FOR SINGLE SIDE MOUNTING

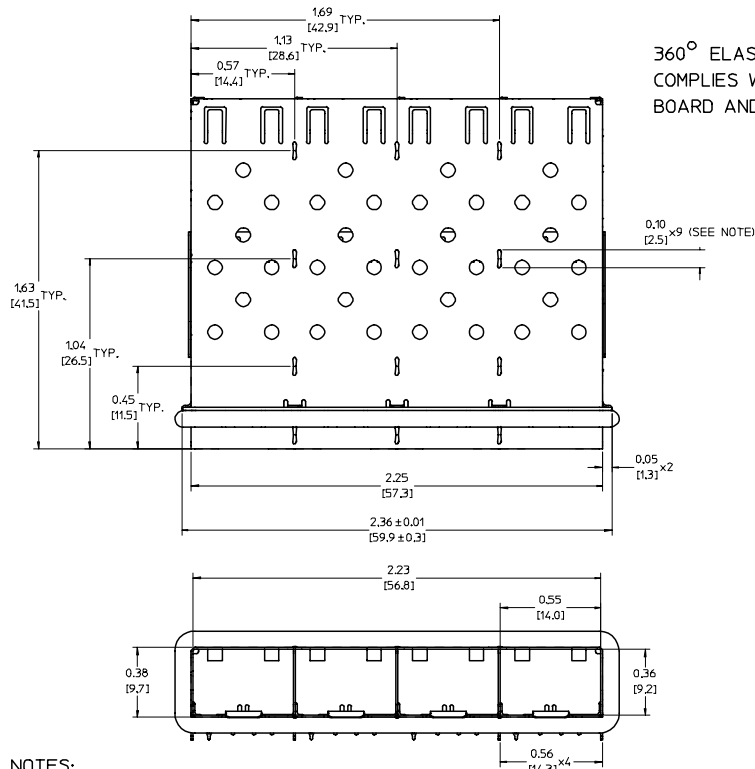


BEZEL AND BOARD POSITION DIMENSIONS FOR BELLY TO BELLY MOUNTING



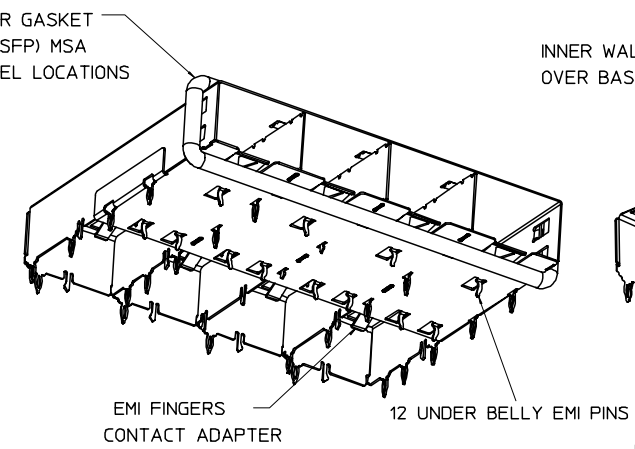
NOTE:
1. PCB THICKNESS VARIATION MUST BE CONSIDERED WHEN BEZEL OPENING LOCATION

SEE REVISION TABLE IEC NO: CPG2016-1266 DRAWN: THSU CHKD: CHYK APPR: RCHEN08 DATE: 2015/06/23 DATE: 2015/09/22	QUALITY SYMBOLS	GENERAL TOLERANCES (UNLESS SPECIFIED)	DIMENSION STYLE	SCALE	DESIGN UNITS	THIRD ANGLE PROJECTION	
	∇=0 ∇=0 ∇=0	4 PLACES ± mm 3 PLACES ± INCH 2 PLACES ± 0.13 1 PLACE ± 0.25 0 PLACE ±	MM ONLY	4:1	METRIC	THSU RCHEN08 DATE: 2015/06/23 DATE: 2015/09/22	1X4 SFP GAGED CAGE PRESS FIT 3.05MM STAINLESS STEEL molex
	ANGULAR ± 1 ° DRAFT WHERE APPLICABLE MUST REMAIN WITHIN DIMENSIONS	MATERIAL NO. 739270470	DOCUMENT NO. SD-73927-0470	SHEET NO. 4 OF 5			
	THIS DRAWING CONTAINS INFORMATION THAT IS PROPRIETARY TO MOLEX INCORPORATED AND SHOULD NOT BE USED WITHOUT WRITTEN PERMISSION						

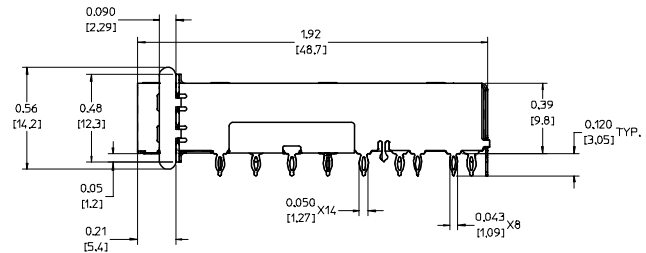
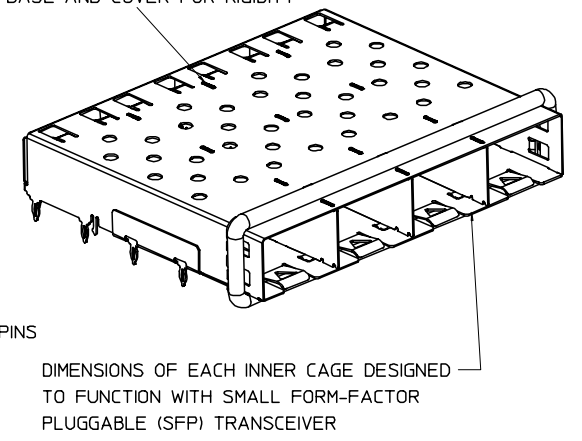


- NOTES:
- PRESS FIT LEGS .120" LONG-
 0.062 [1.57] MINIMUM PCB THICKNESS FOR SINGLE SIDED USE.
 0.118 [3.00] MINIMUM PCB THICKNESS FOR BELLY TO BELLY USE.
 - MATERIAL: COPPER ALLOY
 PLATING: NONE
- NOTE: A NICKEL PLATED VERSION IS AVAILABLE.
 REFER TO DOCUMENT SD-74728-420
- REFERENCE DOCUMENTS:
 PRODUCT SPECIFICATION: PS-74728-000
 COSMETIC SPECIFICATIONS: WI-HP-7-2774 AND WI-HPA-7-0093
 TEST SUMMARY: TS-74728-0415
 - THIS PART MEETS THE RESTRICTION OF HAZARDOUS SUBSTANCES IN ELECTRICAL AND ELECTRONIC EQUIPMENT (ROHS) DIRECTIVE (2002/95/EC).

360° ELASTOMER GASKET COMPLIES WITH (SFP) MSA BOARD AND BEZEL LOCATIONS



INNER WALL TABS ARE COINED OVER BASE AND COVER FOR RIGIDITY

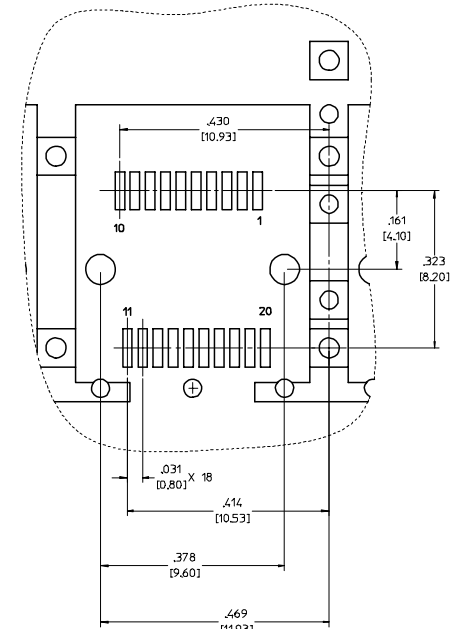
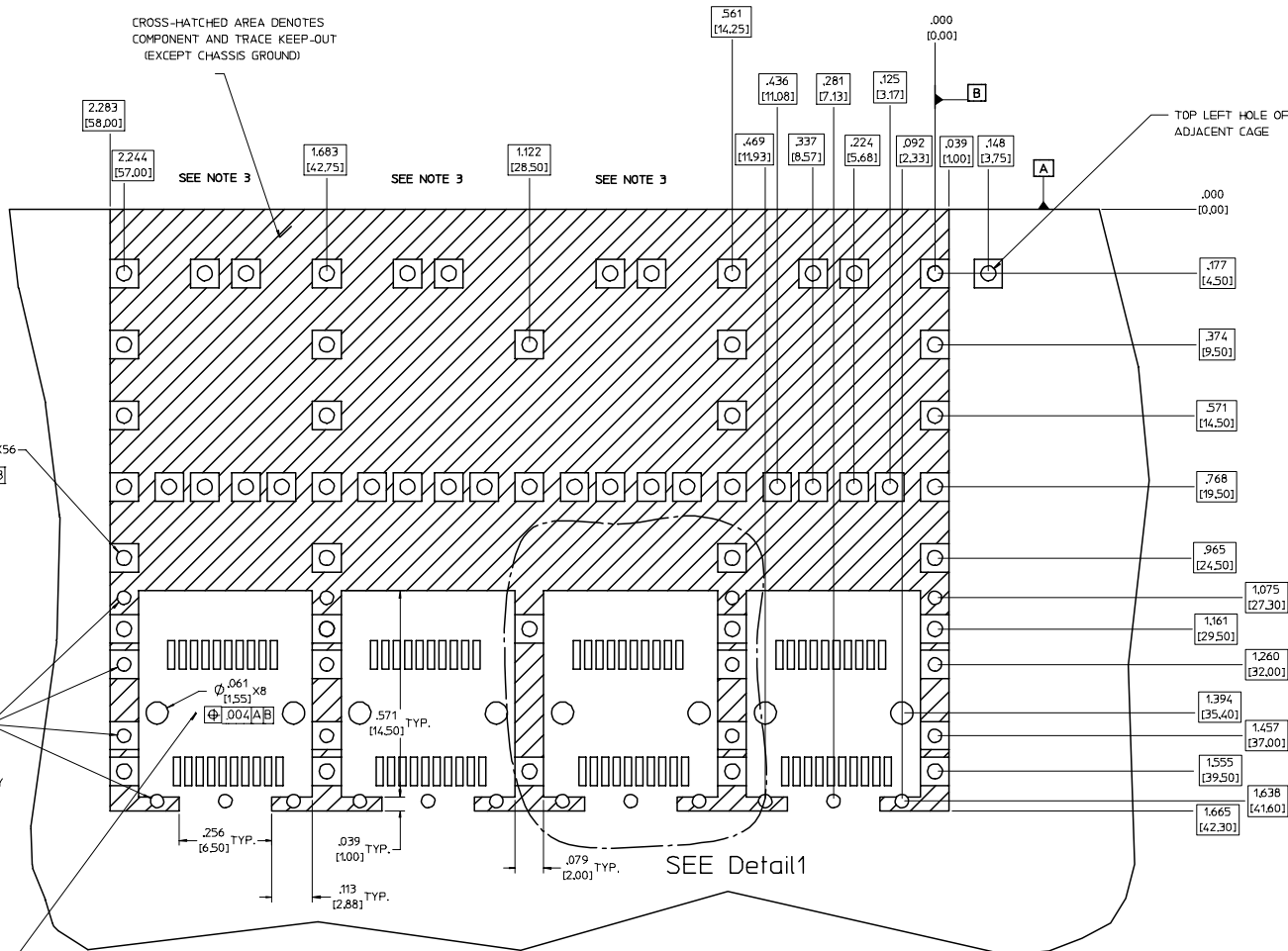


ENTER DESCRIPTION EC NO: USY2006-0079 DRAWN BY: JORWANSI MONSON 2006/01/17 CHECKED BY: CHFKBRUSSELL 2006/01/28 APPR: BRUSSELL 2006/01/25	QUALITY SYMBOLS	GENERAL TOLERANCES (UNLESS SPECIFIED)	DIMENSION STYLE	SCALE	DESIGN UNITS	THIRD ANGLE PROJECTION
	▽=0 ▽=0	mm INCH 4 PLACES ± --- ± --- 3 PLACES ± --- ± .005 2 PLACES ± 0.13 ± .01 1 PLACE ± 0.25 ± --- ANGULAR ± 1 °	IN/MM DRAWN BY: KS IMONSO 2004/02/27 CHECKED BY: BRUSSELL 2004/02/27 APPROVED BY: BRUSSELL 2004/02/27	3:1	METRIC	TITLE: 1X4 SFP GANGED CAGE ASSEMBLY W/ 0.090 GASKET, PRESS FIT MOLEX INCORPORATED
	DRAFT WHERE APPLICABLE MUST REMAIN WITHIN DIMENSIONS	MATERIAL NO: 739270415	DOCUMENT NO: SD-73927-415	SHEET NO: 1 OF 5		
	THIS DRAWING CONTAINS INFORMATION THAT IS PROPRIETARY TO MOLEX INCORPORATED AND SHOULD NOT BE USED WITHOUT WRITTEN PERMISSION					

PCB LAYOUT FOR BELLY TO BELLY MOUNTING

CROSS-HATCHED AREA DENOTES
COMPONENT AND TRACE KEEP-OUT
(EXCEPT CHASSIS GROUND)

HOST CONNECTOR DETAIL



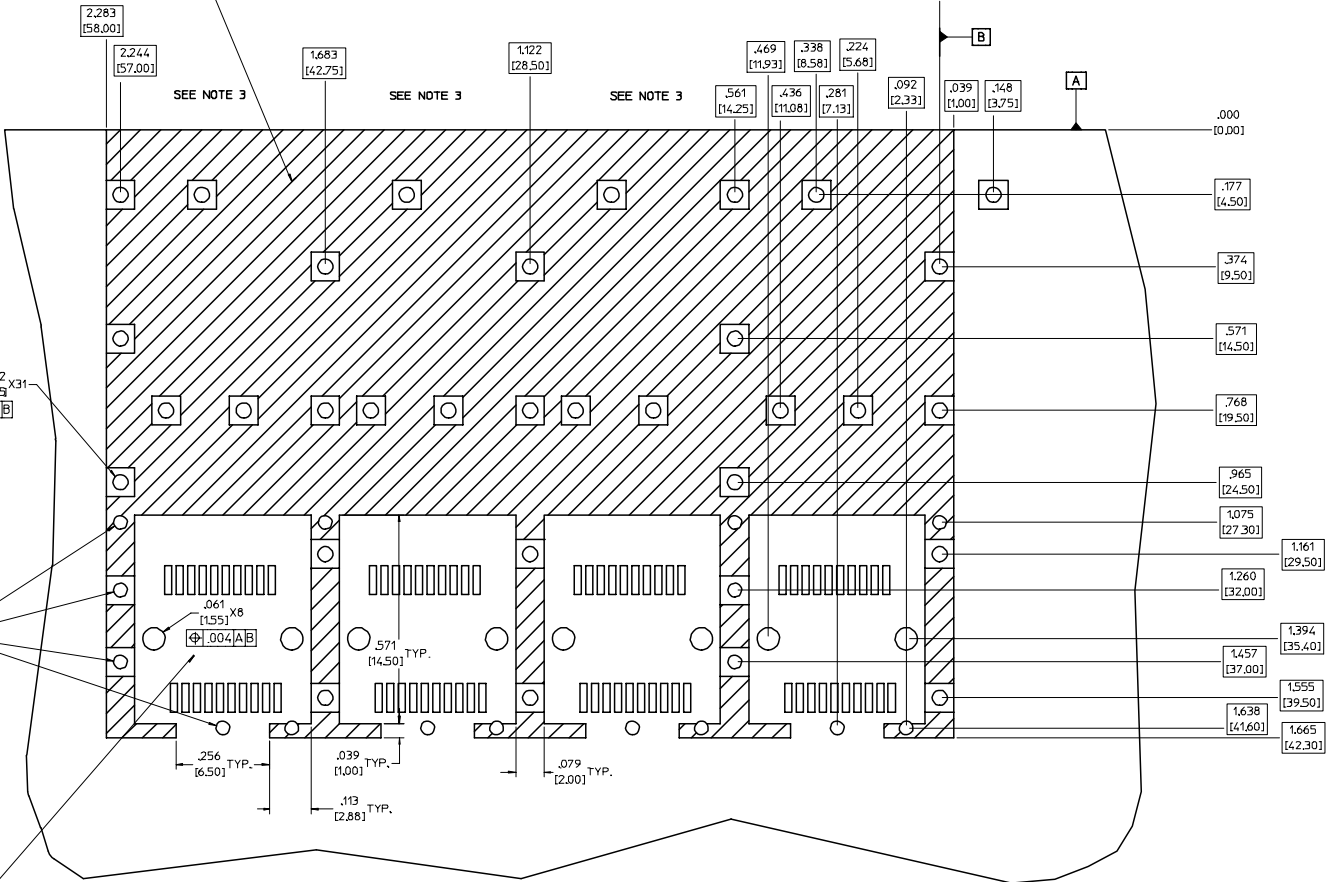
Detail 1
SCALE 8:1

- NOTES:**
- PADS AND VIAS GO TO CHASSIS GROUND. (64 PLACES).
RECOMMENDED PADS TO BE 2mm SQUARE
 - PLATING OPTIONAL FOR THROUGH HOLES. (16 PLACES).
 - RECOMMENDED PLATING INCLUDES HASL, IMMERSION (GOLD, SILVER, OR TIN), AND OSP.
 - HOLE PATTERN REPEATS FOR EACH PORT,
SPACING BETWEEN PORTS IS 5.61 [14.25]
 - CONNECTOR PAD LAYOUT PER SFP MSA. WILL ACCOMMODATE MOLEX
CONNECTOR SERIES 74441 OR EQUIVALENT.

ENTER DESCRIPTION EC NO: UST2006-0079 TORWANS MONSON 2006/01/17 CHFKBRUSSELL 2006/01/28 APPR:BRUSSELL 2006/01/25	QUALITY SYMBOLS ▽=0 ▽=0	GENERAL TOLERANCES (UNLESS SPECIFIED) mm INCH 4 PLACES ± --- ± --- 3 PLACES ± --- ± .005 2 PLACES ± 0.13 ± .01 1 PLACE ± 0.25 ± --- ANGULAR ± 1 °	DIMENSION STYLE IN/MM DRAWN BY DATE KS IMONSO 2004/02/27 CHECKED BY DATE BRUSSELL 2004/02/27 APPROVED BY DATE BRUSSELL 2004/02/27	SCALE 6:1 DESIGN UNITS METRIC THIRD ANGLE PROJECTION	TITLE 1X4 SFP GANGED CAGE ASSEMBLY W/ 0.090 GASKET, PRESS FIT MOLEX INCORPORATED
	DRAFT WHERE APPLICABLE MUST REMAIN WITHIN DIMENSIONS	MATERIAL NO. 739270415	DOCUMENT NO. SD-73927-415	SHEET NO. 2 OF 5	
	THIS DRAWING CONTAINS INFORMATION THAT IS PROPRIETARY TO MOLEX INCORPORATED AND SHOULD NOT BE USED WITHOUT WRITTEN PERMISSION				
	SIZE D				

PCB LAYOUT FOR SINGLE SIDE MOUNTING

CROSS-HATCHED AREA DENOTES
COMPONENT AND TRACE KEEP-OUT
(EXCEPT CHASSIS GROUND)



THIS AREA DENOTES
COMPONENT KEEP-OUT
(TRACES ALLOWED)

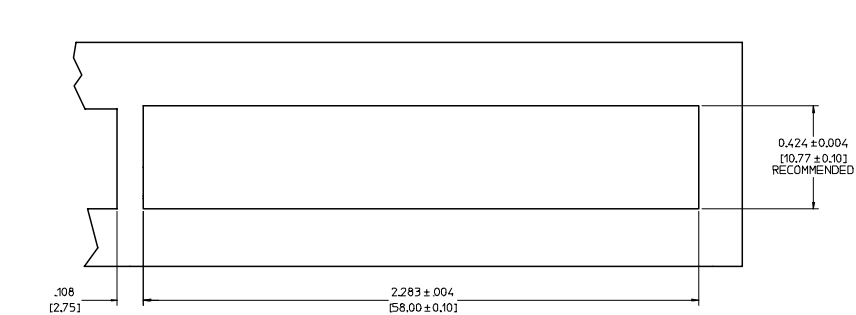
- NOTES:**
- PADS AND VIAS GO TO CHASSIS GROUND. (34 PLACES).
RECOMMENDED PADS TO BE 2mm SQUARE
 - PLATING OPTIONAL FOR THROUGH HOLES. (12 PLACES).
 - RECOMMENDED PLATING INCLUDES HASL, IMMERSION (GOLD, SILVER, OR TIN), AND OSP.
 - HOLE PATTERN REPEATS FOR EACH PORT.
SPACING BETWEEN PORTS IS 5.61 [14.25]
 - CONNECTOR PAD LAYOUT PER SFP MSA. WILL ACCOMMODATE MOLEX CONNECTOR SERIES 74441 OR EQUIVALENT.

ENTER DESCRIPTION EC NO: UST2006-0079 DRAWN BY: JORWANKS/IMONSO 2004/01/17 CHECKED BY: CHKCB/RUSSELL 2004/01/28 APPR: BRUSSELL 2004/01/25	QUALITY SYMBOLS	GENERAL TOLERANCES (UNLESS SPECIFIED)	DIMENSION STYLE	SCALE	DESIGN UNITS	THIRD ANGLE PROJECTION
	▽=0 ▽=0	mm INCH	IN/MM	6:1	METRIC	
		4 PLACES ± --- ± --- 3 PLACES ± --- ± .005 2 PLACES ± 0.13 ± .01 1 PLACE ± 0.25 ± --- ANGULAR ± 1 °	DRAWN BY: KS IMONSO 2004/02/27 CHECKED BY: BRUSSELL 2004/02/27 APPROVED BY: BRUSSELL 2004/02/27	DATE	TITLE	
	DRAFT WHERE APPLICABLE MUST REMAIN WITHIN DIMENSIONS	MATERIAL NO: 739270415	DOCUMENT NO: SD-73927-415		1X4 SFP GANGED CAGE ASSEMBLY W/ 0.090 GASKET, PRESS FIT MOLEX INCORPORATED	SHEET NO: 3 OF 5

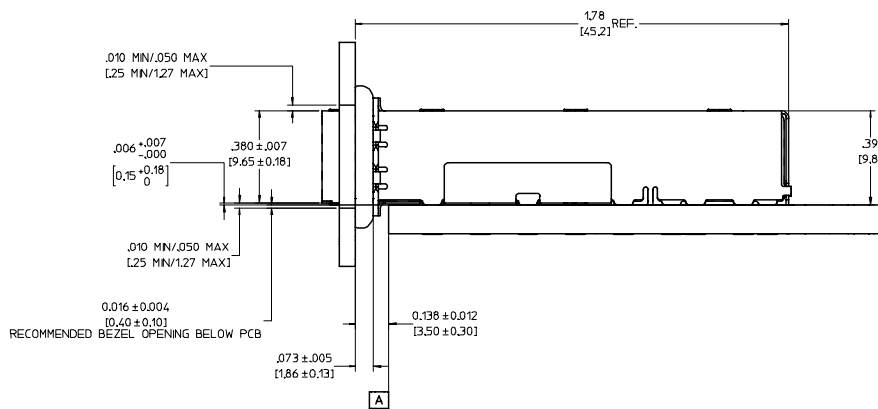
20 19 18 17 16 15 14 13 12 11 10 9 8 7 6 5 4 3 2 1

M
L
K
J
I
H
G
F
E
D
C
B
A

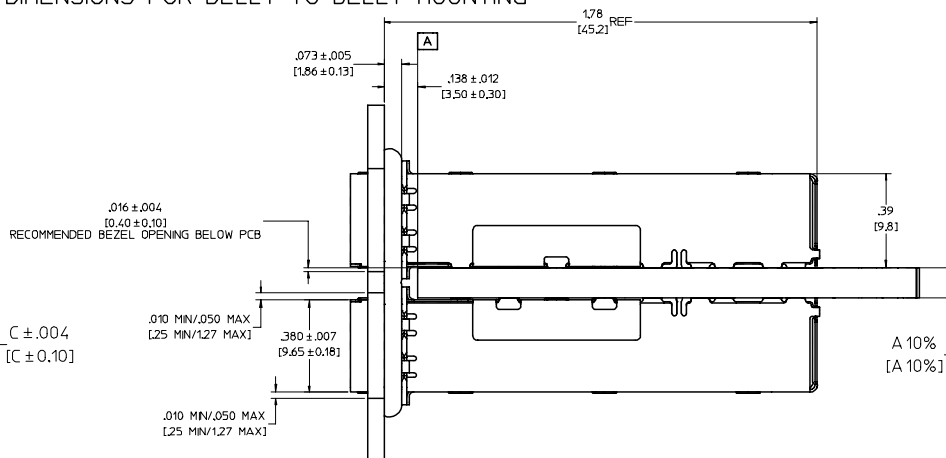
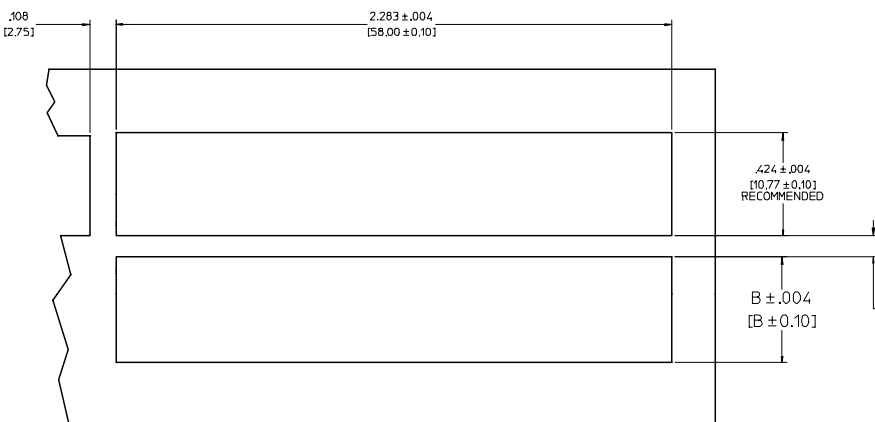
M
L
K
J
I
H
G
F
E
D
C
B
A



BEZEL AND BOARD POSITION DIMENSIONS FOR SINGLE SIDE MOUNTING



BEZEL AND BOARD POSITION DIMENSIONS FOR BELLY TO BELLY MOUNTING



NOTE: FOR A GIVEN BOARD THICKNESS (A), DIMENSIONS (B) AND (C) ARE DIRECTLY AFFECTED.

USE RECOMMENDED DIMENSIONS AND TOLERANCES TO AID IN DEVELOPING BEZEL OPENING.

FOR EXAMPLE USING A BOARD THICKNESS OF .125" THE RECOMMENDED VALUES WOULD BE:

- A= .125/3.18 ± 10%
- B= .434/11.03 ± .004
- C= .088/2.23 ± .004

ENTER DESCRIPTION EC NO: UST2006-0079 DRINKS MONSON 2006/01/17 CHKD: BRUSSELL 2006/01/28 APPR: BRUSSELL 2006/01/25	QUALITY SYMBOLS	GENERAL TOLERANCES (UNLESS SPECIFIED)	DIMENSION STYLE	SCALE	DESIGN UNITS	THIRD ANGLE PROJECTION	
	▽=0 ▽=0	mm INCH	IN/MM	4:1	METRIC		
	4 PLACES ± --- ± --- 3 PLACES ± --- ± .005 2 PLACES ± 0.13 ± .01 1 PLACE ± 0.25 ± --- ANGULAR ± 1 °	DRAWN BY KS IMONSO 2004/02/27 CHECKED BY BRUSSELL 2004/02/27 APPROVED BY BRUSSELL 2004/02/27	DATE DATE DATE	TITLE 1X4 SFP GANGED CAGE ASSEMBLY W/ 0.090 GASKET, PRESS FIT	MATERIAL NO. 739270415	DOCUMENT NO. SD-73927-415	SHEET NO. 4 OF 5
	DRAFT WHERE APPLICABLE MUST REMAIN WITHIN DIMENSIONS	SIZE D	THIS DRAWING CONTAINS INFORMATION THAT IS PROPRIETARY TO MOLEX INCORPORATED AND SHOULD NOT BE USED WITHOUT WRITTEN PERMISSION				

19 18 17 16 15 14 13 12 11 10 9 8 7 6 5 4 3 2 1

20 19 18 17 16 15 14 13 12 11 10 9 8 7 6 5 4 3 2 1

M
L
K
J
I
H
G
F
E
D
C
B
A

M
L
K
J
I
H
G
F
E
D
C
B
A

DATE	REV	CHANGES	COMMENTS
2/27/2004	A	INITIAL RELEASE	N/A
10/09/2004	B	UPDATED VIEWS	DOCUMENT CHANGE ONLY
10/07/2005	C	ADDED PCB AND BEZEL DETAILS. UPDATED NOTES.	DOCUMENT CHANGE ONLY

ENTER DESCRIPTION EC NO: USY2006-0079 DRAWN BY: JORWANKS IMONSON 2006/01/17 CHECKED BY: CHFKO BRUSSELL 2006/01/28 APPR: BRUSSELL 2006/01/28	QUALITY SYMBOLS ▽=0 ▽=0	GENERAL TOLERANCES (UNLESS SPECIFIED) <table border="1"> <tr> <th></th> <th>mm</th> <th>INCH</th> </tr> <tr> <td>4 PLACES</td> <td>± .---</td> <td>± .---</td> </tr> <tr> <td>3 PLACES</td> <td>± .---</td> <td>± .005</td> </tr> <tr> <td>2 PLACES</td> <td>± 0.13</td> <td>± .01</td> </tr> <tr> <td>1 PLACE</td> <td>± 0.25</td> <td>± .---</td> </tr> <tr> <td>ANGULAR</td> <td colspan="2">± 1 °</td> </tr> </table>		mm	INCH	4 PLACES	± .---	± .---	3 PLACES	± .---	± .005	2 PLACES	± 0.13	± .01	1 PLACE	± 0.25	± .---	ANGULAR	± 1 °		DIMENSION STYLE IN/MM	DRAWN BY: KS IMONSON DATE: 2004/02/27	TITLE: 1X4 SFP GANGED CAGE ASSEMBLY W/ 0.090 GASKET, PRESS FIT	SCALE: 1:1	DESIGN UNITS: METRIC	THIRD ANGLE PROJECTION
				mm	INCH																					
4 PLACES	± .---	± .---																								
3 PLACES	± .---	± .005																								
2 PLACES	± 0.13	± .01																								
1 PLACE	± 0.25	± .---																								
ANGULAR	± 1 °																									
APPROVED BY: BRUSSELL DATE: 2004/02/27	MATERIAL NO.: 739270415	DOCUMENT NO.: SD-73927-415	SHEET NO.: 5 OF 5																							

DRAFT WHERE APPLICABLE MUST REMAIN WITHIN DIMENSIONS

THIS DRAWING CONTAINS INFORMATION THAT IS PROPRIETARY TO MOLEX INCORPORATED AND SHOULD NOT BE USED WITHOUT WRITTEN PERMISSION

19 18 17 16 15 14 13 12 11 10 9 8 7 6 5 4 3 2 1