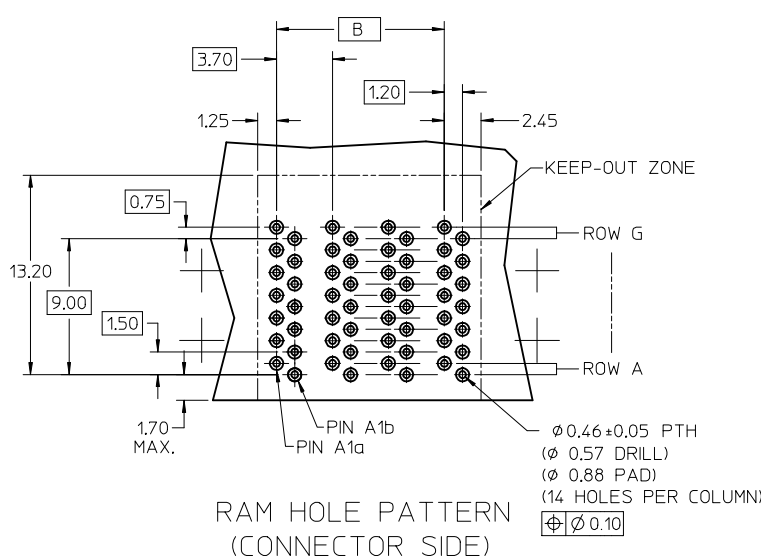
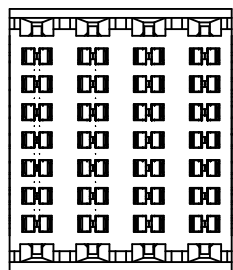


76011-\*\*\*0\*  
UNGUIDED,  
OPEN ENDED



RAM HOLE PATTERN  
(CONNECTOR SIDE)

- NOTES:
1. MATERIALS: HOUSING - LIQUID CRYSTAL POLYMER (LCP), BLACK, UL 94V-0  
TERMINALS - HIGH PERFORMANCE COPPER ALLOY
  2. FINISH: SELECTIVE GOLD (Au) IN CONTACT AREA,  
SELECTIVE MATTE TIN (Sn) IN TAIL AREA;  
NICKEL (Ni) UNDERPLATE OVERALL.
  3. MOLEX PRODUCT SPECIFICATION: PS-75710-999.
  4. THIS PART CONFORMS TO CLASS B REQUIREMENTS OF COSMETIC SPEC PS-45499-002.
  5. PACKAGED PER PK-70873-588.
  6. MAPS (MOLEX ADVANCED PLATING SYSTEM).



STANDARD PIN OPTION  
(76011-\*\*\*3)  
(76011-\*\*\*7)

LEAD FREE CON/MAPS	QUALITY SYMBOLS
EC NO: UCP2013-4120	▽=0
DRW:RWHIPPLE 2013/03/19	▽=0
CHKD:MMOLFE 2013/03/19	▽=0
APPR:SMILLER 2013/08/05	
REV	DESCRIPTION

GENERAL TOLERANCES (UNLESS SPECIFIED)	
mm	INCH
4 PLACES ± 0.15	± 0.006
3 PLACES ± 0.25	± 0.010
2 PLACES ± 0.38	± 0.015
1 PLACE ± 0.51	± 0.020
0 PLACE ± 0.64	± 0.025
ANGULAR ± 0.5°	
DRAFT WHERE APPLICABLE MUST REMAIN WITHIN DIMENSIONS	

DIMENSION STYLE MM ONLY	
DRAWN BY	DATE
ELO	2006/11/13
CHECKED BY	DATE
ELO	2007/02/02
APPROVED BY	DATE
CBIXLER	2007/02/02
MATERIAL NO.	
SEE CHART	

SCALE 4:1	DESIGN UNITS METRIC	THIRD ANGLE PROJECTION
TITLE I-TRAC 7-ROW RIGHT ANGLE MALE OPEN ASSEMBLY		
molex		
DOCUMENT NO. SD-76011-001	SHEET NO. 1 OF 3	

7 6 0 1 1 - \* \* \* \*

MODULE TYPE -- TAIL PLATING TYPE

- 0 = UNGUIDED - MATTE TIN (FORMERLY TIN/LEAD)
- 1 = UNGUIDED - MATTE TIN

- # OF COLUMNS
- 6 = 6 COL
  - 4 = 4 COL
  - 1 = 10 COL

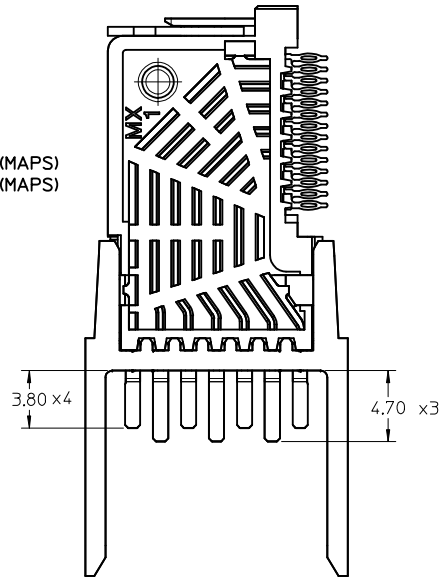
PIN LENGTH (P)

- 3 = 4.70 30 GOLD
- 5 = 4 X 3.80, 3 X 4.70 STAGGERED 30 GOLD
- 6 = 2 X 3.80, 5 X 4.70 STAGGERED 30 GOLD
- 7 = 4.70 10 GOLD (MAPS)
- 8 = 4 X 3.80, 3 X 4.70 STAGGERED 10 GOLD (MAPS)
- 9 = 2 X 3.80, 5 X 4.70 STAGGERED 10 GOLD (MAPS)

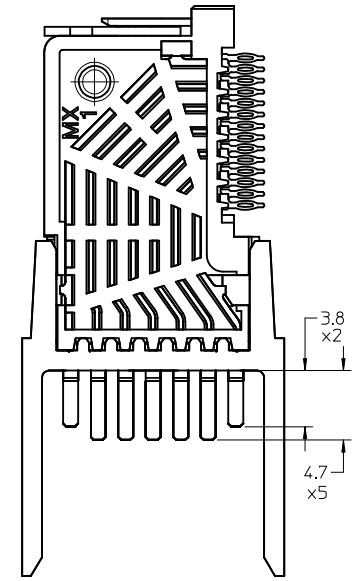
ORIENTATION

- GUIDE POST
- 0 = OPEN ENDED
- 1 = LEFT-END WALL
- 2 = RIGHT-END WALL
- 3 = DUAL-END WALL

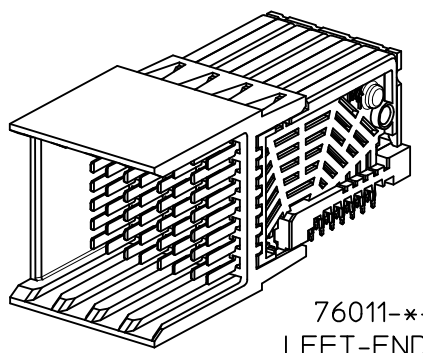
PART NUMBER	# OF COLUMNS	DIM "A" MAX	DIM "B"
76011 - *4**	4	14.70	11.10
76011 - *6**	6	22.20	18.50
76011 - *1**	10	37.00	33.30



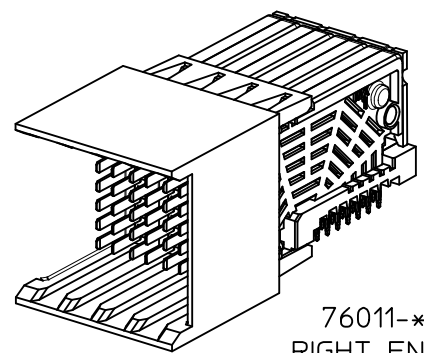
STAGGERED PIN OPTION  
(76011-\*\*\*5)  
(76011-\*\*\*8)



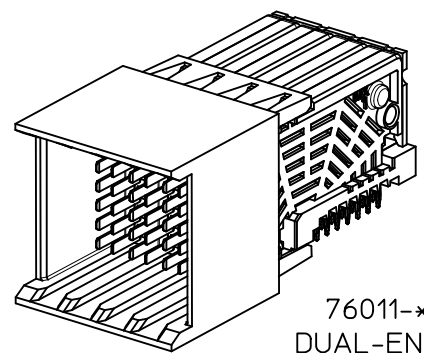
STAGGERED PIN OPTION  
(76011-\*\*\*6)  
(76011-\*\*\*9)



76011-\*\*\*1\*  
LEFT-END WALL



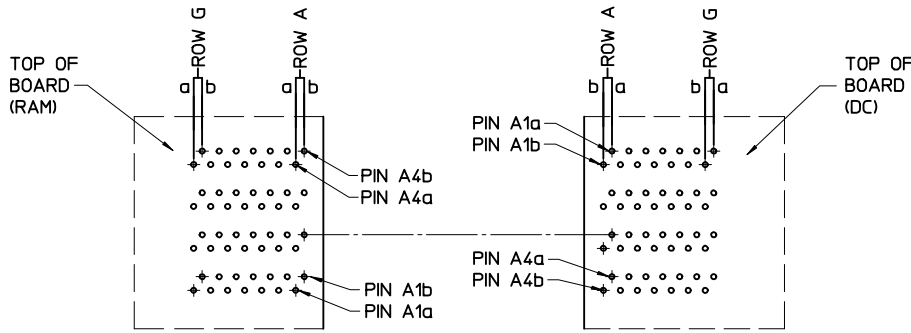
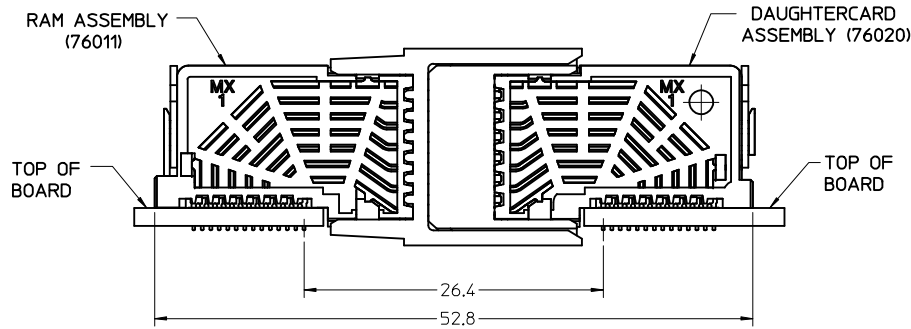
76011-\*\*\*2\*  
RIGHT-END WALL



76011-\*\*\*3\*  
DUAL-END WALL

SEE SHEET 1 EC NO: UCP2013-4120 DRWNR:WHIPPLE 2013/03/19 CHKD:MMOLFE 2013/03/19 APPR:SMILLER 2013/08/05	QUALITY SYMBOLS	GENERAL TOLERANCES (UNLESS SPECIFIED)	DIMENSION STYLE	SCALE	DESIGN UNITS	THIRD ANGLE PROJECTION
	▽=0	mm INCH	MM ONLY	4:1	METRIC	
	▽=0	4 PLACES ± --- ± ---	DRAWN BY DATE	ELO 2006/11/13	I-TRAC 7-ROW RIGHT ANGLE MALE OPEN ASSEMBLY <b>molex</b> SD-76011-001	
	▽=0	3 PLACES ± --- ± ---	CHECKED BY DATE	ELO 2007/02/02		
▽=0	2 PLACES ± 0.13 ± ---	APPROVED BY DATE	CBIXLER 2007/02/02			
		1 PLACE ± 0.25 ± ---	MATERIAL NO.	DOCUMENT NO.	SHEET NO.	
		0 PLACE ± ±	SEE CHART		2 OF 3	
DRAFT WHERE APPLICABLE MUST REMAIN WITHIN DIMENSIONS		THIS DRAWING CONTAINS INFORMATION THAT IS PROPRIETARY TO MOLEX INCORPORATED AND SHOULD NOT BE USED WITHOUT WRITTEN PERMISSION				

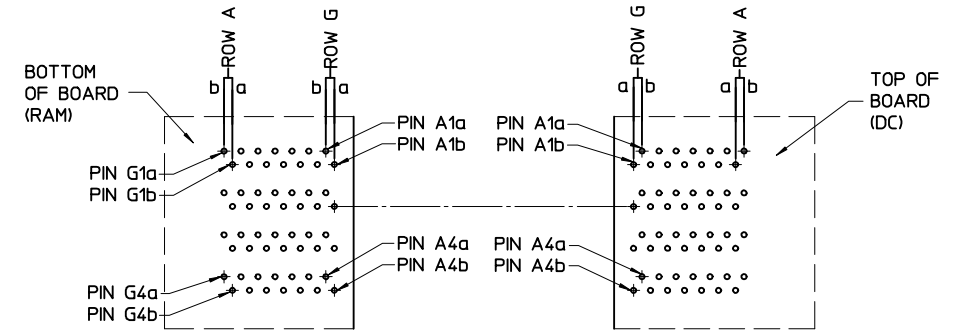
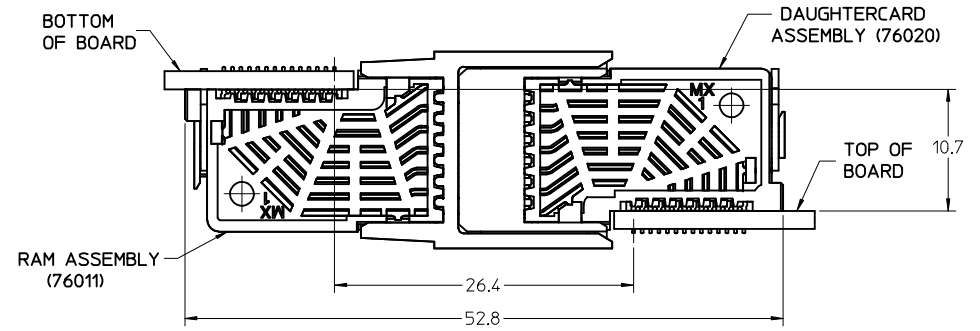
# COPLANAR APPLICATION



## COPLANAR MATED SIGNAL PATHS

RAM PIN A4b.....	DC PIN A1a
RAM PIN A4a.....	DC PIN A1b
RAM PIN A1b.....	DC PIN A4a
RAM PIN A1a.....	DC PIN A4b

# INVERTED APPLICATION



## INVERTED MATED SIGNAL PATHS

RAM PIN G1a.....	DC PIN A1a
RAM PIN G1b.....	DC PIN A1b
RAM PIN G4a.....	DC PIN A4a
RAM PIN G4b.....	DC PIN A4b

<b>SEE SHEET 1</b> EC NO: UCP2013-4120 DRAWN: WHIPPLE 2013/03/19 CHKD: MWOLFE 2013/03/19 APPR: SMILLER 2013/08/05	QUALITY SYMBOLS ▽=0 ▽=0 ▽=0	GENERAL TOLERANCES (UNLESS SPECIFIED) mm INCH 4 PLACES ± --- ± --- 3 PLACES ± --- ± --- 2 PLACES ± 0.13 ± --- 1 PLACE ± 0.25 ± --- 0 PLACE ± ± ANGULAR ± --- °	DIMENSION STYLE MM ONLY DRAWN BY DATE ELO 2006/11/13 CHECKED BY DATE ELO 2007/02/02 APPROVED BY DATE CBIXLER 2007/02/02	SCALE 4:1 DESIGN UNITS METRIC THIRD ANGLE PROJECTION	TITLE I-TRAC 7-ROW RIGHT ANGLE MALE OPEN ASSEMBLY <b>molex</b>	DOCUMENT NO. SD-76011-001	SHEET NO. 3 OF 3