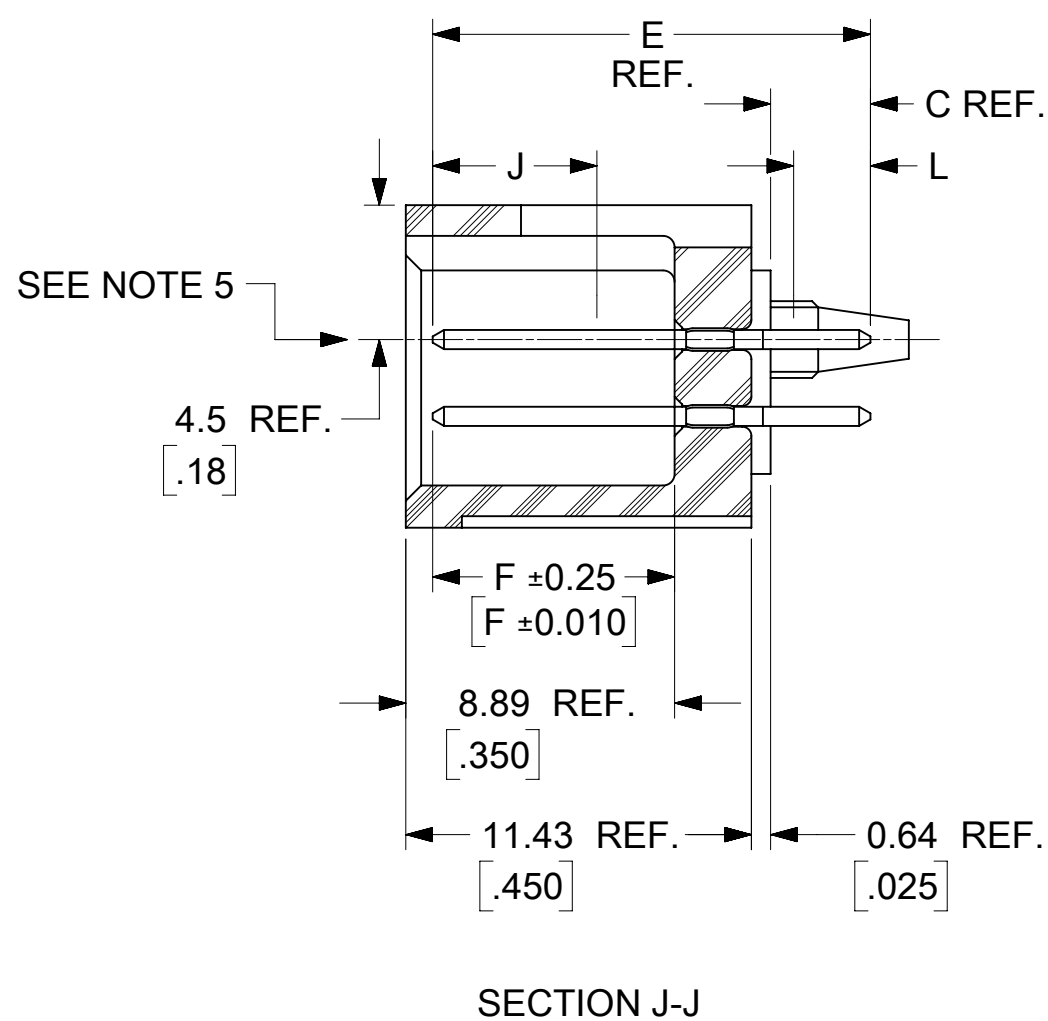
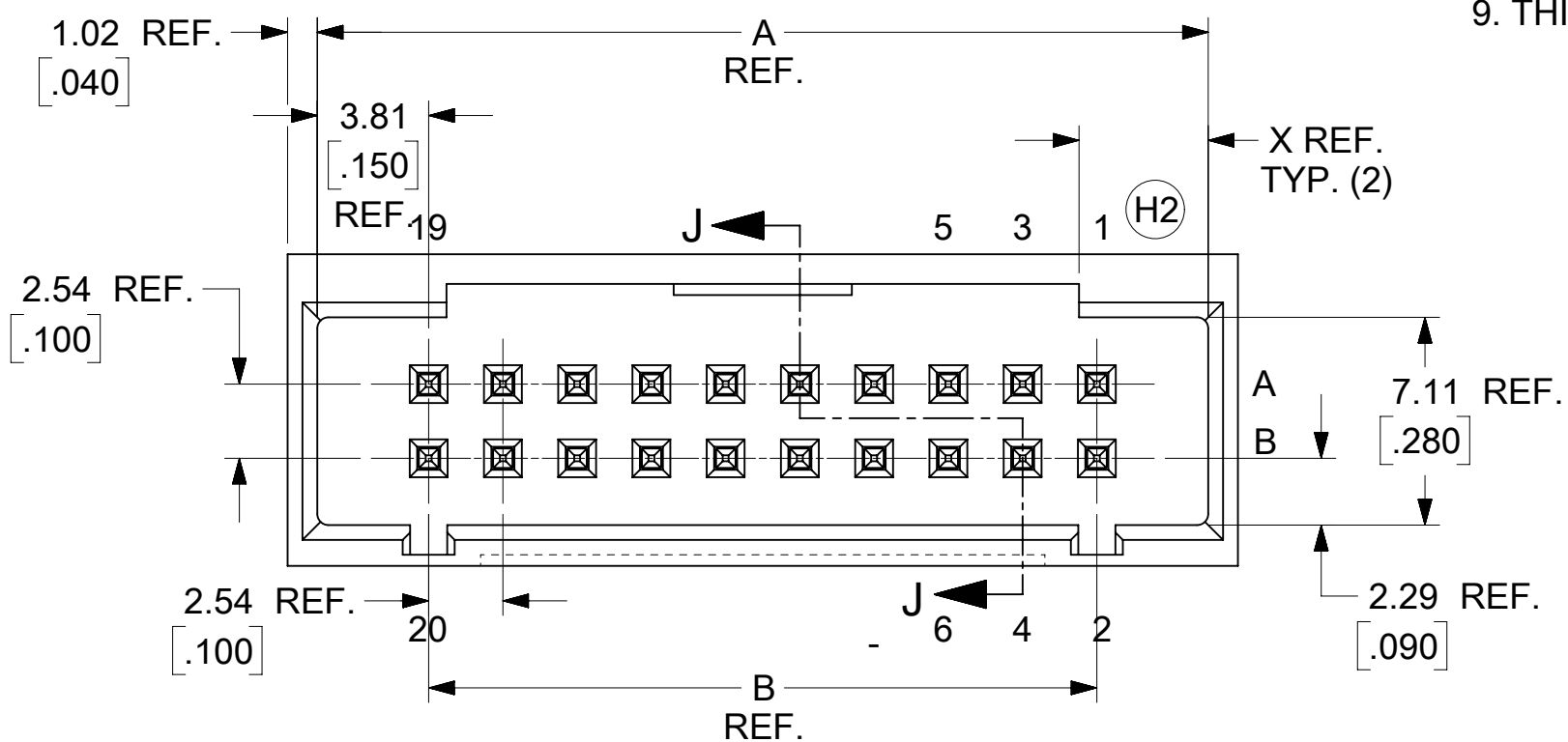
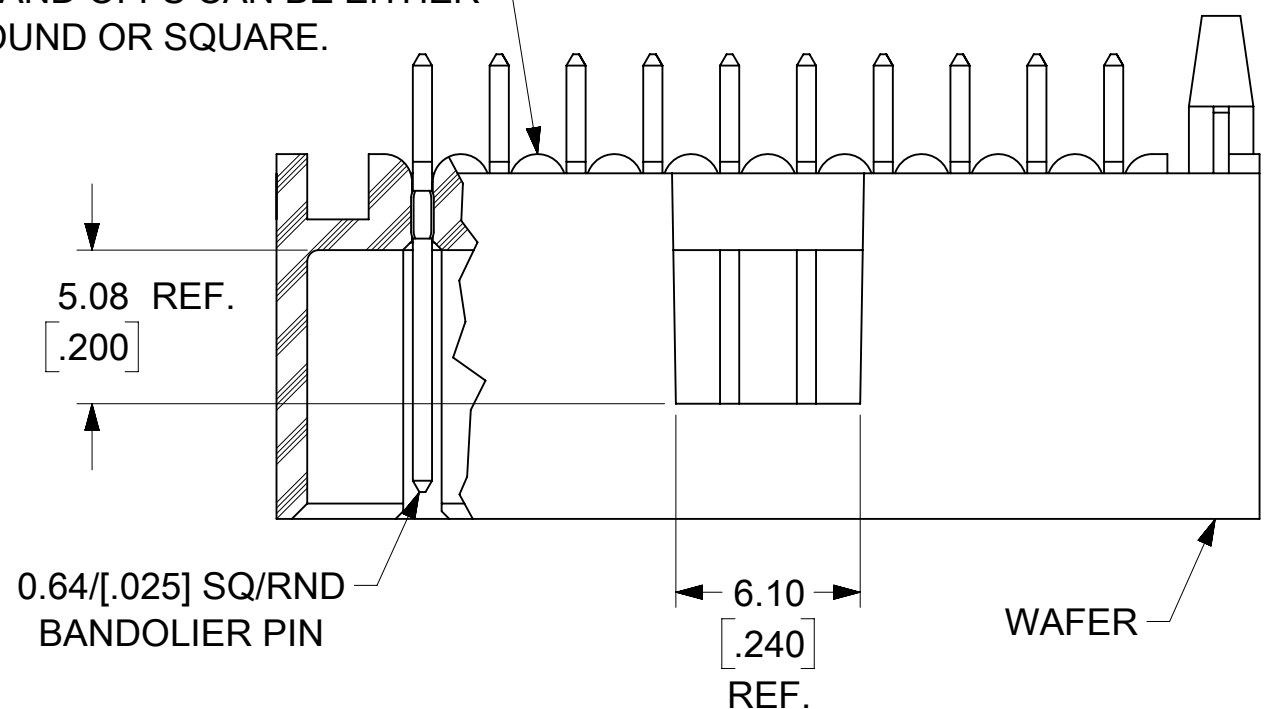


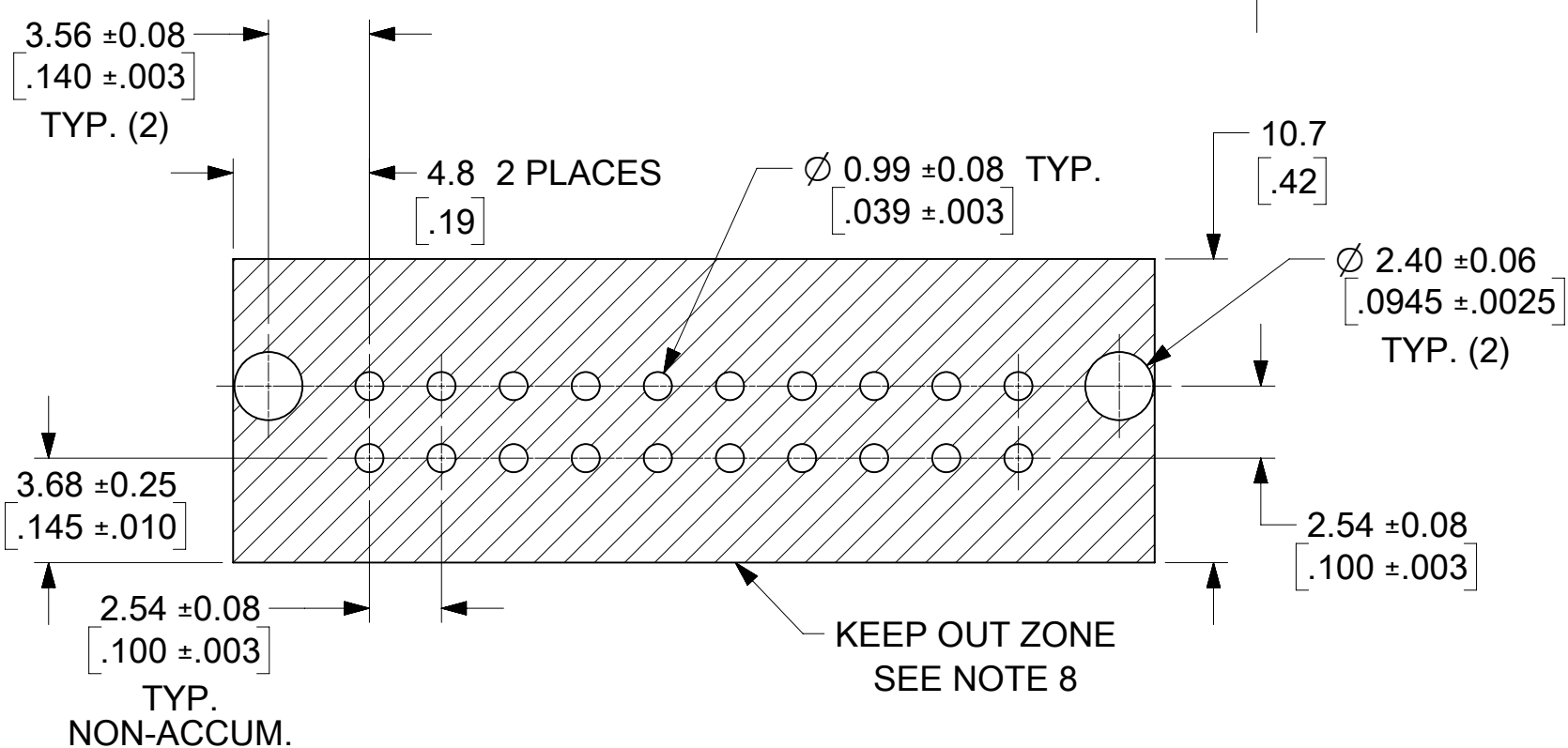
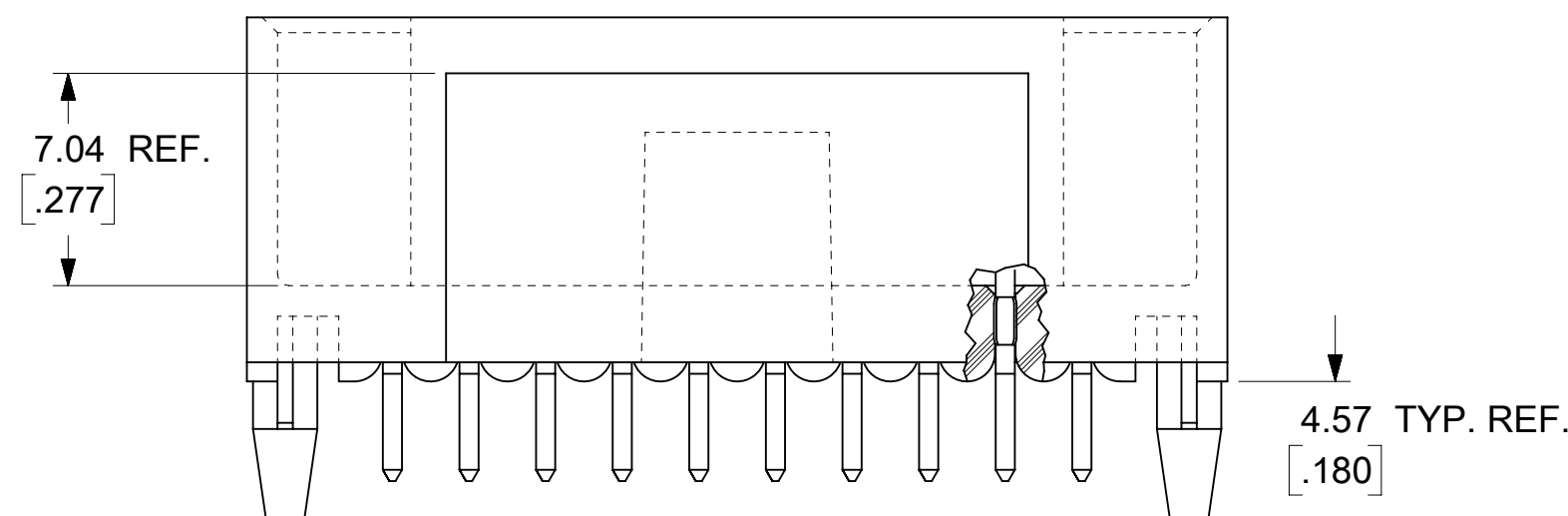
STAND OFFS CAN BE EITHER ROUND OR SQUARE.

NOTES:

- MATERIAL: WAFER - GLASS FILLED LIQUID CRYSTAL POLYMER; UL 94V-0; COLOR: BLACK. PIN: COPPER ALLOY.
- PLATING: TIN  
TIN(Sn) ALLOY OVER ENTIRE PIN: THICKNESS = 3.81 MICROMETER/ [150 MICROINCH] MINIMUM;  
NICKEL (Ni) UNDERPLATE OVER ENTIRE PIN.  
15 GOLD SELECTIVE GOLD (Au) IN THE CONTACT AREA: THICKNESS = 0.38MICROMETER/ [15 MICROINCH] MINIMUM;  
SELECTIVE TIN (Sn) ALLOY IN THE PC TAIL AREA: THICKNESS = 1.91 MICROMETER/ [75 MICROINCH] MINIMUM;  
NICKEL (Ni) UNDERPLATE OVER ENTIRE PIN.  
30 GOLD SELECTIVE GOLD (Au) IN THE CONTACT AREA: THICKNESS = 0.76 MICROMETER/ [30 MICROINCH] MINIMUM;  
SELECTIVE TIN (Sn) ALLOY IN THE PC TAIL AREA: THICKNESS = 1.91 MICROMETER/ [75 MICROINCH] MINIMUM;  
NICKEL (Ni) UNDERPLATE OVER ENTIRE PIN.  
\* THE PRIMARY SHIPPING CARTON WILL BE LABELED "COMPLIANT TO RoHS DIRECTIVE 2002/95/EC AND ELV ANNEX II OF DIRECTIVE 2000/53/EC".  
CARTONS WITHOUT THIS LABEL MAY CONTAIN PRODUCT WITH LEAD.
- PRODUCT SPECIFICATION: PS-70567.
- PACKAGING: SEE CHARTS
- PIN PUSHOUT FORCE: 4 LS. MIN. IN DIRECTION INDICATED.
- FOR ILLUSTRATION PURPOSES, 20 (DUAL 10) CIRCUIT SIZE IS SHOWN.
- PINS MUST MEET SOLDERABILITY SPEC. SMES-152,  
EXCEPT VOIDS ARE PERMISSIBLE AT BANDOLIER PIN FAYING SURFACE. (APPROX. 0.64/[.025] LNG X 0.15/[.006] WD. REF.) - 2 LOCATIONS
- NO FEATURES WHICH RISE ABOVE THE PCB SURFACE ALLOWED IN THIS AREA.
- THIS PART CONFORMS TO CLASS B REQUIREMENTS OF COSMETIC SPEC PS-45499-002.



| CKT. SIZE | DIM. A REF. |       | DIM. B REF. |       | DIM. X REF. |      |
|-----------|-------------|-------|-------------|-------|-------------|------|
|           | MM          | INCH  | MM          | INCH  | MM          | INCH |
| 6         | 12.70       | .500  | 5.08        | .200  | 3.18        | .125 |
| 8         | 15.24       | .600  | 7.62        | .300  | 4.42        | .174 |
| 10        | 17.78       | .700  | 10.16       | .400  | 4.42        | .174 |
| 12        | 20.32       | .800  | 12.70       | .500  | 4.42        | .174 |
| 14        | 22.86       | .900  | 15.24       | .600  | 4.42        | .174 |
| 16        | 25.40       | 1.000 | 17.78       | .700  | 4.42        | .174 |
| 18        | 27.94       | 1.100 | 20.32       | .800  | 4.42        | .174 |
| 20        | 30.48       | 1.200 | 22.86       | .900  | 4.42        | .174 |
| 22        | 33.02       | 1.300 | 25.40       | 1.000 | 4.42        | .174 |
| 24        | 35.56       | 1.400 | 27.94       | 1.100 | 4.42        | .174 |
| 26        | 38.10       | 1.500 | 30.48       | 1.200 | 4.42        | .174 |
| 28        | 40.64       | 1.600 | 33.02       | 1.300 | 4.42        | .174 |
| 30        | 43.18       | 1.700 | 35.56       | 1.400 | 4.42        | .174 |
| 32        | 45.72       | 1.800 | 38.10       | 1.500 | 4.42        | .174 |
| 34        | 48.26       | 1.900 | 40.64       | 1.600 | 4.42        | .174 |
| 36        | 50.80       | 2.000 | 43.18       | 1.700 | 4.42        | .174 |
| 38        | 53.34       | 2.100 | 45.72       | 1.800 | 4.42        | .174 |
| 40        | 55.88       | 2.200 | 48.26       | 1.900 | 4.42        | .174 |
| 42        | 58.42       | 2.300 | 50.80       | 2.000 | 4.42        | .174 |
| 44        | 60.96       | 2.400 | 53.34       | 2.100 | 4.42        | .174 |
| 46        | 63.50       | 2.500 | 55.88       | 2.200 | 4.42        | .174 |
| 48        | 66.04       | 2.600 | 58.42       | 2.300 | 4.42        | .174 |
| 50        | 68.58       | 2.700 | 60.96       | 2.400 | 4.42        | .174 |
| 52        | 71.12       | 2.800 | 63.50       | 2.500 | 4.42        | .174 |
| 54        | 73.66       | 2.900 | 66.04       | 2.600 | 4.42        | .174 |
| 56        | 76.20       | 3.000 | 68.58       | 2.700 | 4.42        | .174 |
| 58        | 78.74       | 3.100 | 71.12       | 2.800 | 4.42        | .174 |
| 60        | 81.28       | 3.200 | 73.66       | 2.900 | 4.42        | .174 |
| 62        | 83.82       | 3.300 | 76.20       | 3.000 | 4.42        | .174 |
| 64        | 86.36       | 3.400 | 78.74       | 3.100 | 4.42        | .174 |
| 66        | 88.90       | 3.500 | 81.28       | 3.200 | 4.42        | .174 |
| 68        | 91.44       | 3.600 | 83.82       | 3.300 | 4.42        | .174 |
| 70        | 93.98       | 3.700 | 86.36       | 3.400 | 4.42        | .174 |
| 72        | 96.52       | 3.800 | 88.90       | 3.500 | 4.42        | .174 |



RECOMMENDED P.C. BOARD HOLE LAYOUT


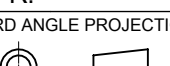
THIS DRAWING CONTAINS INFORMATION THAT IS PROPRIETARY TO MOLEX ELECTRONIC TECHNOLOGIES, LLC AND SHOULD NOT BE USED WITHOUT WRITTEN PERMISSION

|  |                        |   |   |                 |
|--|------------------------|---|---|-----------------|
| DIMENSION UNITS                                      | SCALE                  | CURRENT REV DESC: CIRCUIT POSITIONS           | <b>molex</b>  |                 |
| mm/[in]  | 4:1                    | STATEMENT UPDATED AS PER A-70568-XXXX DRAWING |   |                 |
| GENERAL TOLERANCES (UNLESS SPECIFIED)                |                        | EC NO: 676771                                 | SALES ASSY - DUAL ROW SHROUDED WAFER/HI TEMP .25SQ/RND PINS .100 GRID |                 |
| 4 PLACES   | ±                      | DRWN: RMV02                                   | 2021/09/02  |                 |
| 3 PLACES   | ±                      | CHK'D: KCHIKKANNA                             | 2021/09/08  |                 |
| 2 PLACES   | ± 0.13                 | APPR: ISHWARG                                 | 2021/10/14  |                 |
| 1 PLACE  | ± 0.25                 | INITIAL REVISION:                             |   |                 |
| 0 PLACES   | ±                      | DRWN: SMR                                     | 1993/11/10  |                 |
| ANGULAR TOL  | ± 0.5°                 | APPR:   |   |                 |
| DRAFT WHERE APPLICABLE MUST REMAIN WITHIN DIMENSIONS | THIRD ANGLE PROJECTION | DRAWING                                       | SERIES  | MATERIAL NUMBER |
|  |                        | C-SIZE  | 70568   | SEE TABLE       |
|  |                        |   |   | CUSTOMER        |
|  |                        |   |   | GENERAL MARKET  |
|  |                        |   |   | SHEET NUMBER    |
|  |                        |   |   | 1 OF 2          |

| H | ENGINEERING NUMBER<br>A-70568 | RELEASE FOR<br>MANUFACTURE | C<br>REF.      | E<br>REF.       | F±0.25<br>[F±.010] | CONNECTOR END PLATING |                        | P.C. BOARD END PLATING |                        |       | SEE PACK.<br>INFORMA.<br>DRAWING<br>PK-70873 |
|---|-------------------------------|----------------------------|----------------|-----------------|--------------------|-----------------------|------------------------|------------------------|------------------------|-------|--|
|   |                               |                            |                |                 |                    | TYPE                  | J<br>MINIMUM<br>LENGTH | TYPE                   | L<br>MINIMUM<br>LENGTH |       |  |
|   | -0001/-0034                   | R.F.M.                     | 3.30<br>[.130] | 14.48<br>[.570] | 8.00<br>[.315]     | TIN                   | OVER-<br>ALL           | TIN                    | OVER-<br>ALL           | -0018 |  |
|   | -0035/-0068                   | R.F.M.                     | 3.30<br>[.130] | 14.48<br>[.570] | 8.00<br>[.315]     | 15 GOLD               | 5.08<br>[.200]         | TIN                    | 3.56<br>[.140]         | -0018 |  |
|   | -0069/-0102                   | R.F.M.                     | 3.30<br>[.130] | 14.48<br>[.570] | 8.00<br>[.315]     | 30 GOLD               | 5.08<br>[.200]         | TIN                    | 3.56<br>[.140]         | -0018 |  |
| G | -0103/-0136                   |                            |                |                 |                    |                       |                        |                        |                        |       |  |
|   | -0137/-0170                   |                            |                |                 |                    |                       |                        |                        |                        |       |  |
|   | -0171/-0204                   |                            |                |                 |                    |                       |                        |                        |                        |       |  |
|   | -0205/-0238                   |                            |                |                 |                    |                       |                        |                        |                        |       |  |

| F | CKTS | EDP NUMBER | ENG. NUMBER  | EDP NUMBER | ENG. NUMBER  | EDP NUMBER | ENG. NUMBER  | EDP NUMBER | ENG. NUMBER  | EDP NUMBER | ENG. NUMBER  | EDP NUMBER | ENG. NUMBER  | EDP NUMBER | ENG. NUMBER  | CKTS | F |
|---|------|------------|--------------|------------|--------------|------------|--------------|------------|--------------|------------|--------------|------------|--------------|------------|--------------|------|---|
|   | 06   | 15-47-7506 | A-70568-0001 | 15-47-7606 | A-70568-0035 | 15-47-7706 | A-70568-0069 |            | A-70568-0103 |            | A-70568-0137 |            | A-70568-0171 |            | A-70568-0205 | 06   |   |
|   | 08   | 15-47-7508 | A-70568-0002 | 15-47-7608 | A-70568-0036 | 15-47-7708 | A-70568-0070 |            | A-70568-0104 |            | A-70568-0138 |            | A-70568-0172 |            | A-70568-0206 | 08   |   |
|   | 10   | 15-47-7510 | A-70568-0003 | 15-47-7610 | A-70568-0037 | 15-47-7710 | A-70568-0071 |            | A-70568-0105 |            | A-70568-0139 |            | A-70568-0173 |            | A-70568-0207 | 10   |   |
|   | 12   | 15-47-7512 | A-70568-0004 | 15-47-7612 | A-70568-0038 | 15-47-7712 | A-70568-0072 |            | A-70568-0106 |            | A-70568-0140 |            | A-70568-0174 |            | A-70568-0208 | 12   |   |
|   | 14   | 15-47-7514 | A-70568-0005 | 15-47-7614 | A-70568-0039 | 15-47-7714 | A-70568-0073 |            | A-70568-0107 |            | A-70568-0141 |            | A-70568-0175 |            | A-70568-0209 | 14   |   |
|   | 16   | 15-47-7516 | A-70568-0006 | 15-47-7616 | A-70568-0040 | 15-47-7716 | A-70568-0074 |            | A-70568-0108 |            | A-70568-0142 |            | A-70568-0176 |            | A-70568-0210 | 16   |   |
|   | 18   | 15-47-7518 | A-70568-0007 | 15-47-7618 | A-70568-0041 | 15-47-7718 | A-70568-0075 |            | A-70568-0109 |            | A-70568-0143 |            | A-70568-0177 |            | A-70568-0211 | 18   |   |
|   | 20   | 15-47-7520 | A-70568-0008 | 15-47-7620 | A-70568-0042 | 15-47-7720 | A-70568-0076 |            | A-70568-0110 |            | A-70568-0144 |            | A-70568-0178 |            | A-70568-0212 | 20   |   |
|   | 22   | 15-47-7522 | A-70568-0009 | 15-47-7622 | A-70568-0043 | 15-47-7722 | A-70568-0077 |            | A-70568-0111 |            | A-70568-0145 |            | A-70568-0179 |            | A-70568-0213 | 22   |   |
|   | 24   | 15-47-7524 | A-70568-0010 | 15-47-7624 | A-70568-0044 | 15-47-7724 | A-70568-0078 |            | A-70568-0112 |            | A-70568-0146 |            | A-70568-0180 |            | A-70568-0214 | 24   |   |
|   | 26   | 15-47-7526 | A-70568-0011 | 15-47-7626 | A-70568-0045 | 15-47-7726 | A-70568-0079 |            | A-70568-0113 |            | A-70568-0147 |            | A-70568-0181 |            | A-70568-0215 | 26   |   |
|   | 28   | 15-47-7528 | A-70568-0012 | 15-47-7628 | A-70568-0046 | 15-47-7728 | A-70568-0080 |            | A-70568-0114 |            | A-70568-0148 |            | A-70568-0182 |            | A-70568-0216 | 28   |   |
|   | 30   | 15-47-7530 | A-70568-0013 | 15-47-7630 | A-70568-0047 | 15-47-7730 | A-70568-0081 |            | A-70568-0115 |            | A-70568-0149 |            | A-70568-0183 |            | A-70568-0217 | 30   |   |
|   | 32   | 15-47-7532 | A-70568-0014 | 15-47-7632 | A-70568-0048 | 15-47-7732 | A-70568-0082 |            | A-70568-0116 |            | A-70568-0150 |            | A-70568-0184 |            | A-70568-0218 | 32   |   |
|   | 34   | 15-47-7534 | A-70568-0015 | 15-47-7634 | A-70568-0049 | 15-47-7734 | A-70568-0083 |            | A-70568-0117 |            | A-70568-0151 |            | A-70568-0185 |            | A-70568-0219 | 34   |   |
|   | 36   | 15-47-7536 | A-70568-0016 | 15-47-7636 | A-70568-0050 | 15-47-7736 | A-70568-0084 |            | A-70568-0118 |            | A-70568-0152 |            | A-70568-0186 |            | A-70568-0220 | 36   |   |
| D | 38   | 15-47-7538 | A-70568-0017 | 15-47-7638 | A-70568-0051 | 15-47-7738 | A-70568-0085 |            | A-70568-0119 |            | A-70568-0153 |            | A-70568-0187 |            | A-70568-0221 | 38   | D |
|   | 40   | 15-47-7540 | A-70568-0018 | 15-47-7640 | A-70568-0052 | 15-47-7740 | A-70568-0086 |            | A-70568-0120 |            | A-70568-0154 |            | A-70568-0188 |            | A-70568-0222 | 40   |   |
|   | 42   | 15-47-7542 | A-70568-0019 | 15-47-7642 | A-70568-0053 | 15-47-7742 | A-70568-0087 |            | A-70568-0121 |            | A-70568-0155 |            | A-70568-0189 |            | A-70568-0223 | 42   |   |
|   | 44   | 15-47-7544 | A-70568-0020 | 15-47-7644 | A-70568-0054 | 15-47-7744 | A-70568-0088 |            | A-70568-0122 |            | A-70568-0156 |            | A-70568-0190 |            | A-70568-0224 | 44   |   |
|   | 46   | 15-47-7546 | A-70568-0021 | 15-47-7646 | A-70568-0055 | 15-47-7746 | A-70568-0089 |            | A-70568-0123 |            | A-70568-0157 |            | A-70568-0191 |            | A-70568-0225 | 46   |   |
|   | 48   | 15-47-7548 | A-70568-0022 | 15-47-7648 | A-70568-0056 | 15-47-7748 | A-70568-0090 |            | A-70568-0124 |            | A-70568-0158 |            | A-70568-0192 |            | A-70568-0226 | 48   |   |
|   | 50   | 15-47-7550 | A-70568-0023 | 15-47-7650 | A-70568-0057 | 15-47-7750 | A-70568-0091 |            | A-70568-0125 |            | A-70568-0159 |            | A-70568-0193 |            | A-70568-0227 | 50   |   |
|   | 52   | 15-47-7552 | A-70568-0024 | 15-47-7652 | A-70568-0058 | 15-47-7752 | A-70568-0092 |            | A-70568-0126 |            | A-70568-0160 |            | A-70568-0194 |            | A-70568-0228 | 52   |   |
| C | 54   | 15-47-7554 | A-70568-0025 | 15-47-7654 | A-70568-0059 | 15-47-7754 | A-70568-0093 |            | A-70568-0127 |            | A-70568-0161 |            | A-70568-0195 |            | A-70568-0229 | 54   | C |
|   | 56   | 15-47-7556 | A-70568-0026 | 15-47-7656 | A-70568-0060 | 15-47-7756 | A-70568-0094 |            | A-70568-0128 |            | A-70568-0162 |            | A-70568-0196 |            | A-70568-0230 | 56   |   |
|   | 58   | 15-47-7558 | A-70568-0027 | 15-47-7658 | A-70568-0061 | 15-47-7758 | A-70568-0095 |            | A-70568-0129 |            | A-70568-0163 |            | A-70568-0197 |            | A-70568-0231 | 58   |   |
|   | 60   | 15-47-7560 | A-70568-0028 | 15-47-7660 | A-70568-0062 | 15-47-7760 | A-70568-0096 |            | A-70568-0130 |            | A-70568-0164 |            | A-70568-0198 |            | A-70568-0232 | 60   |   |
|   | 62   | 15-47-7562 | A-70568-0029 | 15-47-7662 | A-70568-0063 | 15-47-7762 | A-70568-0097 |            | A-70568-0131 |            | A-70568-0165 |            | A-70568-0199 |            | A-70568-0233 | 62   |   |
|   | 64   | 15-47-7564 | A-70568-0030 | 15-47-7664 | A-70568-0064 | 15-47-7764 | A-70568-0098 |            | A-70568-0132 |            | A-70568-0166 |            | A-70568-0200 |            | A-70568-0234 | 64   |   |
|   | 66   | 15-47-7566 | A-70568-0031 | 15-47-7666 | A-70568-0065 | 15-47-7766 | A-70568-0099 |            | A-70568-0133 |            | A-70568-0167 |            | A-70568-0201 |            | A-70568-0235 | 66   |   |
|   | 68   | 15-47-7568 | A-70568-0032 | 15-47-7668 | A-70568-0066 | 15-47-7768 | A-70568-0100 |            | A-70568-0134 |            | A-70568-0168 |            | A-70568-0202 |            | A-70568-0236 | 68   |   |
|   | 70   | 15-47-7570 | A-70568-0033 | 15-47-7670 | A-70568-0067 | 15-47-7770 | A-70568-0101 |            | A-70568-0135 |            | A-70568-0169 |            | A-70568-0203 |            | A-70568-0237 | 70   |   |
| B | 72   | 15-47-7572 | A-70568-0034 | 15-47-7672 | A-70568-0068 | 15-47-7772 | A-70568-0102 |            | A-70568-0136 |            | A-70568-0170 |            | A-70568-0204 |            | A-70568-0238 | 72   | B |

THIS DRAWING CONTAINS INFORMATION THAT IS PROPRIETARY TO MOLEX ELECTRONIC TECHNOLOGIES, LLC AND SHOULD NOT BE USED WITHOUT WRITTEN PERMISSION

|  |   |   |   |                              |                            |   |
|--|---|---|---|------------------------------|----------------------------|---|
| DIMENSION UNITS<br><b>mm/[in]</b>                          | SCALE<br><b>1:1</b>   | CURRENT REV DESC: CIRCUIT POSITIONS<br>STATEMENT UPDATED AS PER A-70568-XXXX<br>DRAWING |  |                              |                            |   |
| GENERAL TOLERANCES<br>(UNLESS SPECIFIED)                   |   | EC NO: 676771   |   |                              |                            | SALES ASSY - DUAL ROW<br>SHROUDED WAFER/HI TEMP .25SQ/RND PINS .100<br>GRID |
| 4 PLACES ±   | MM INCH   | DRWN: RMV02   | 2021/09/02  |                              |                            |   |
| 3 PLACES ±   | ± 0.005   | CHK'D: KCHIKKANNA   | 2021/09/08  |                              |                            |   |
| 2 PLACES ±   | 0.13 ± 0.01   | APPR: ISHWARG   | 2021/10/14  |                              |                            |   |
| 1 PLACE ±  | 0.25 ±  | INITIAL REVISION:   |   |                              |                            |   |
| 0 PLACES ±   | ±   | DRWN: SMR   | 1993/11/10  |                              |                            |   |
| ANGULAR TOL ±  | 0.5 °   | APPR:   |   |                              |                            |   |
| DRAFT WHERE APPLICABLE<br>MUST REMAIN<br>WITHIN DIMENSIONS | THIRD ANGLE PROJECTION<br> | DRAWING<br><b>C-SIZE</b>  | SERIES<br><b>70568</b>  | MATERIAL NUMBER<br>SEE TABLE | CUSTOMER<br>GENERAL MARKET | SHEET NUMBER<br>2 OF 2  |

PRODUCT CUSTOMER DRAWING

DOCUMENT NUMBER: **SDA-70568-XXXX**    DOC TYPE: PSD    DOC PART: 001    REVISION: H2