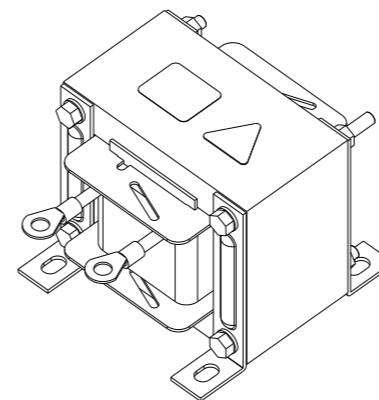
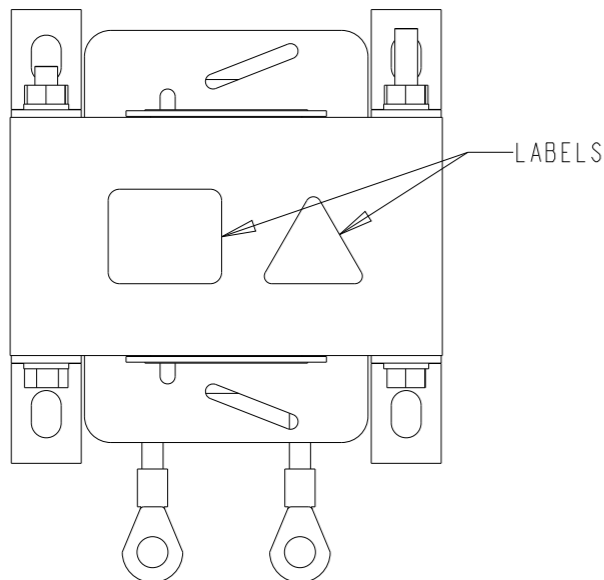


REVISIONS

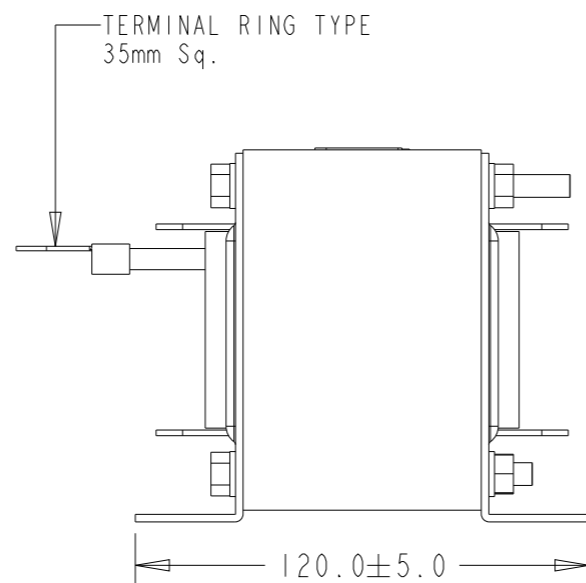
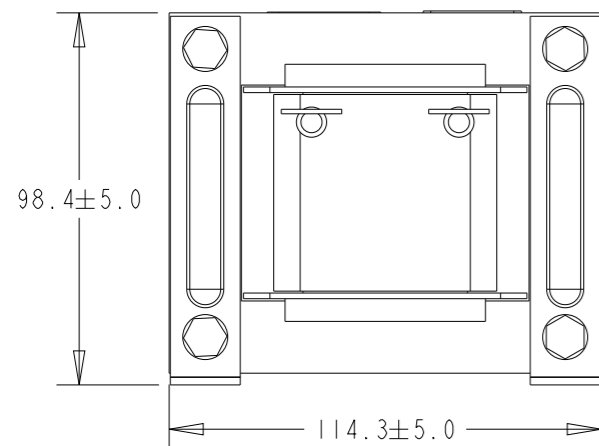
P	LTR	DESCRIPTION	DATE	DWN	APVD
	A	RELEASED FOR PRODUCTION	10FEB2023	DM	CB
	A1	ADDING PRODUCT DATA	07MAR2023	DM	CB



NOMINAL OPERATING VOLTAGE (VAC)	230
RATED OPERATING VOLTAGE (VAC)	250
FREQUENCY (Hz)	50 / 60
RATED CURRENT (AMPS)	50
OP. TEMP. RANGE @ RATED CURRENT	-45°C to +45°C
RATED POWER @ 230VAC (kW)	10.35
RATED POWER @ 230VAC (HP)	13.87
IMPEDANCE @ 230VAC (%)	4
INDUCTANCE, NOMINAL (mH)	0.586
POWER OVERLOAD, 1 MINUTE EVERY HOUR	1.6
VOLTAGE WITHSTAND 1 MINUTE (kVAC)	2
POLLUTION DEGREE	PD2
COOLING	NATURAL
PROTECTION CLASS	IP00
INSULATION CLASS	N
STORAGE TEMPERATURE RANGE (°C)	-45°C to +100°C
CLIMATIC CATEGORY	45/100/21
DESIGN CORRESPONDING TO	EN61558-2-20, EN60076-6, UL61800-5-1

PRODUCT DESIGN NOTE

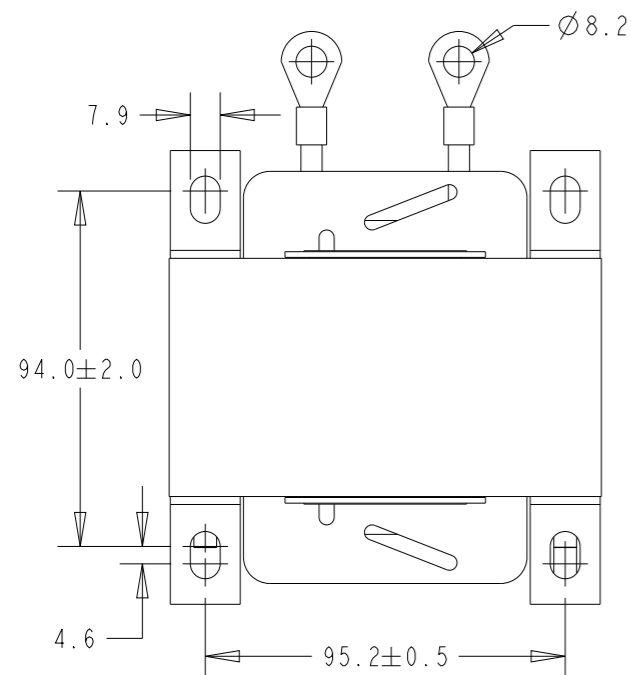
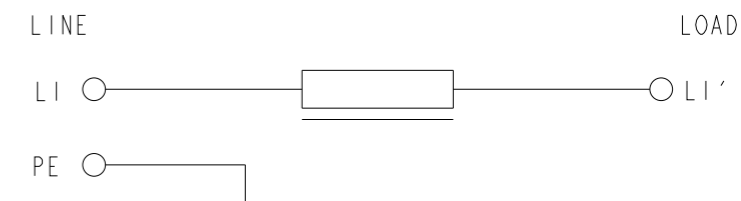
DESIGN IN ACCORDANCE WITH UL 508



DE-RATING FORMULAE FOR OPERATION ABOVE 45°C AMBIENT CONDITIONS:

$$I = I_n \sqrt{\frac{100 - T_{a\ new}}{100 - 45}}$$

TYPICAL CIRCUIT DIAGRAM



RoHS COMPLIANT

THIS DRAWING IS A CONTROLLED DOCUMENT.		DWN C. BOLLE	05OCT2022		
		CHK C. BOLLE	05OCT2022		
		APVD L. RAJ	05OCT2022	NAME RPQ-1-50	
DIMENSIONS: mm		TOLERANCES UNLESS OTHERWISE SPECIFIED:		SINGLE LINE REACTOR	
		0 PLC	±-	SIZE	
		1 PLC	±0.1	A3	
		2 PLC	±0.01	CAGE CODE	
		3 PLC	±0.001	00779	
		4 PLC	±0.0001	DRAWING NO	
		ANGLES	±-	C-1-2432408-3	
MATERIAL		FINISH		RESTRICTED TO	
-		-		-	
-		-		-	
CUSTOMER DRAWING				SCALE	1:2
				SHEET	1 OF 1
				REV	A1