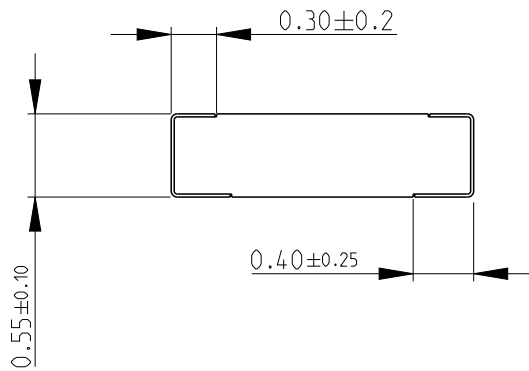
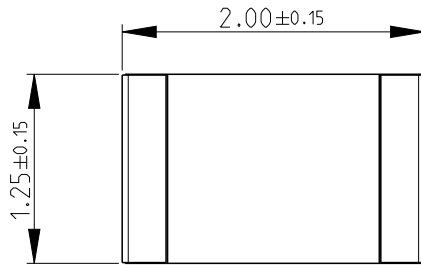


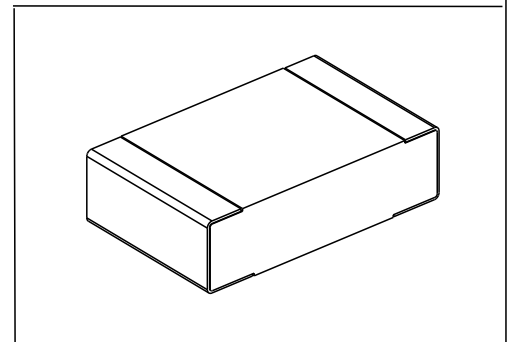
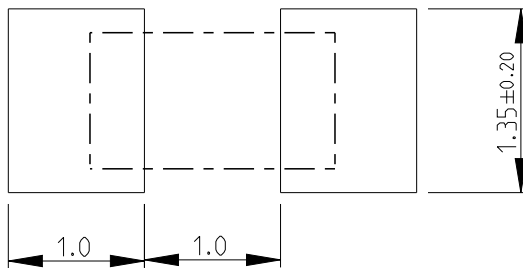
REVISIONS					
P	LTR	DESCRIPTION	DATE	DWN	APVD
	BC1	ECR-15-002767	20FEB2015	KR	TN



NOTES:

- 1) FOR FURTHER INFORMATION SEE DATA SHEET FOR RN73 SERIES-HIGH PRECISION RESISTORS (SMD)
- 2) 250 PER REEL PACKING SPEC NO LONGER AVAILABLE

RECOMMENDED LAND PATTERN



2010

RELEASED FOR PUBLICATION

ALL RIGHTS RESERVED.

THIS DRAWING IS UNPUBLISHED.

BY -

© COPYRIGHT 2010

DIMENSIONS:		DWN	03NOV2010	MATERIAL	-	FINISH	-
mm		PARUSURAM.T					
TOLERANCES UNLESS OTHERWISE SPECIFIED:		CHK	03NOV2010				
0 PLC ±0.2		ALLAN.P		NAME HIGH PRECISION RESISTORS (SMD) SERIES RN73 2A			
1 PLC ±0.1		APVD	03NOV2010				
2 PLC ±		STEPHEN.P		SIZE	CAGE CODE	DRAWING NO	RESTRICTED TO
3 PLC ±		PRODUCT SPEC	-	A 4	00779	©=1676183	-
4 PLC ±		APPLICATION SPEC	-	SCALE 20:1 SHEET 1 OF 1 REV BC1			
ANGLES ±5°		WEIGHT	-				
		Customer Drawing					