



### Main

Range of Product	Altivar
Product or Component Type	Power module
Device short name	ATVR
Device Application	Energy regeneration

### Complementary

Range Compatibility	Altivar Machine ATV340 Altivar Process ATV900 Altivar Machine ATV320
Fixing Mode	By screws
[Us] rated supply voltage	380...500 V - 15...10 %
Phase	3 phase
Network Frequency	45...65 Hz
Rated power	6.8 kW
DC bus operating voltage	456...778 V DC
DC bus voltage limits	300...880 V DC
Input power	6.8 KW 380...500 V AC voltage inputs continuous) 10.2 kW 380...500 V AC voltage inputs transient for 60 s)
Input current	16.5 A 380 V AC voltage inputs continuous) 14.5 A 500 V AC voltage inputs continuous) 22.9 A 380 V AC voltage inputs transient for 60 s) 19.1 A 500 V AC voltage inputs transient for 60 s)
Output Current	13.4 A 380 V AC continuous) 11.9 A 500 V AC continuous) 18.4 A 380 V AC transient for 60 s) 15.4 A 500 V AC transient for 60 s)
Electrical connection	Control removable screw terminal block 0.5...1.5 mm <sup>2</sup> , AWG 20...AWG 16 bottom) Power supply removable screw terminal block 2.5...4 mm <sup>2</sup> , AWG 12...AWG 10 top) DC bus removable screw terminal block 2.5...4 mm <sup>2</sup> , AWG 12...AWG 10 bottom)
Maximum voltage drop at rated load	3 %
Operating position	Vertical or horizontal position
Height	13.27 in (337 mm)
Width	3.15 in (80 mm)
Depth	6.89 in (175 mm)
Net Weight	13.23 lb(US) (6 kg)
Type of cooling	Fan

The information provided in this documentation contains general descriptions and/or technical characteristics of the performance of the products contained herein. This documentation is not intended as a substitute for and is not to be used for determining suitability or reliability of these products for specific user applications. It is the duty of any such user or integrator to perform the appropriate and complete risk analysis, evaluation and testing of the products with respect to the relevant specific application or use thereof. Neither Schneider Electric Industries SAS nor any of its affiliates or subsidiaries shall be responsible or liable for misuse of the information contained herein.

## Environment

Environmental characteristic	Chemical pollution resistance class 3C3 EN/IEC 60721-3-3 Dust pollution resistance class 3S2 EN/IEC 60721-3-3
Ambient air temperature for operation	14...122 °F (-10...50 °C) without derating 122...140 °F (50...60 °C) with derating factor
Ambient Air Temperature for Storage	-40...158 °F (-40...70 °C)
Operating altitude	<= 3280.84 ft (1000 m) without derating 3280.84...9842.52 ft (1000...3000 m) with power derating 1 % per 100 m
Pollution degree	2 EN/IEC 61800-5-1
IP Degree of Protection	IP20
Standards	IEC 61800-5-1 IEC 61800-3
Product Certifications	cUL

## Ordering and shipping details

GTIN	3606481144218
Nbr. of units in pkg.	1
Package weight(Lbs)	16.56 lb(US) (7.51 kg)

## Packing Units

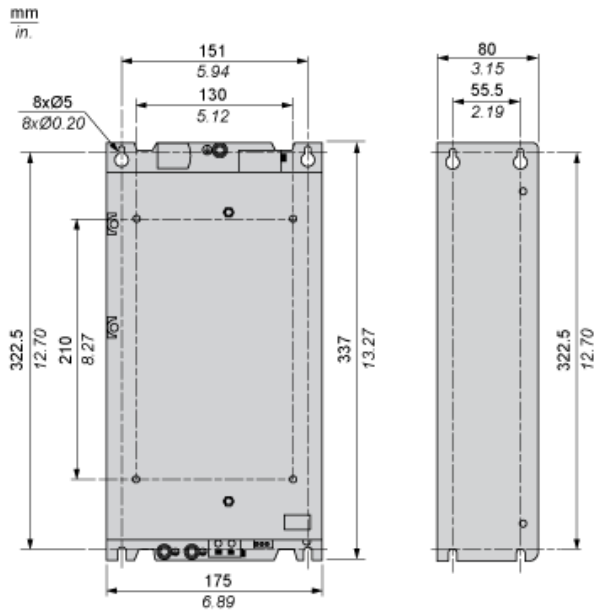
Unit Type of Package 1	PCE
Package 1 Height	7.87 in (20 cm)
Package 1 width	10.16 in (25.8 cm)
Package 1 Length	20.28 in (51.5 cm)
Unit Type of Package 2	P06
Number of Units in Package 2	6
Package 2 Weight	128.00 lb(US) (58.06 kg)
Package 2 Height	28.94 in (73.5 cm)
Package 2 width	23.62 in (60 cm)
Package 2 Length	31.50 in (80 cm)

## Offer Sustainability

Sustainable offer status	Green Premium product
California proposition 65	WARNING: This product can expose you to chemicals including: Lead and lead compounds, which is known to the State of California to cause cancer and birth defects or other reproductive harm. For more information go to <a href="http://www.P65Warnings.ca.gov">www.P65Warnings.ca.gov</a>
REACH Regulation	<a href="#">REACH Declaration</a>
EU RoHS Directive	Pro-active compliance (Product out of EU RoHS legal scope) <a href="#">EU RoHS Declaration</a>
Mercury free	Yes
RoHS exemption information	<a href="#">Yes</a>
China RoHS Regulation	<a href="#">China RoHS Declaration</a>
Environmental Disclosure	<a href="#">Product Environmental Profile</a>
Circularity Profile	<a href="#">End Of Life Information</a>
WEEE	The product must be disposed on European Union markets following specific waste collection and never end up in rubbish bins.

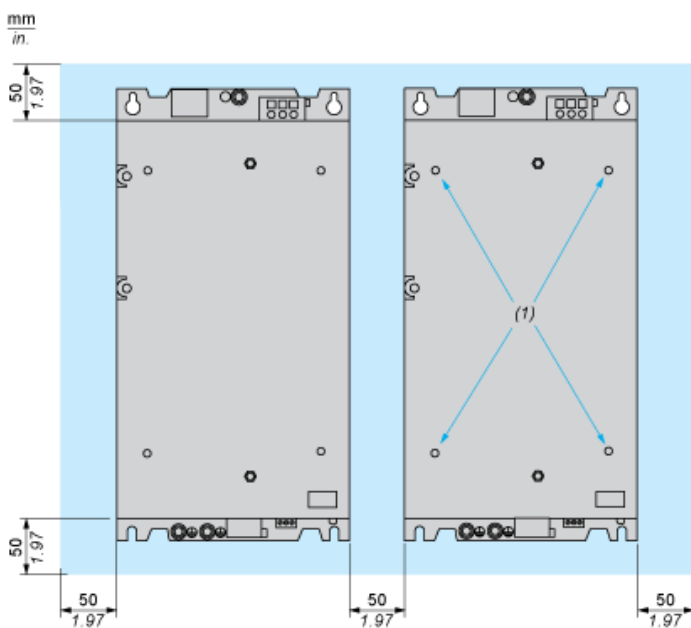
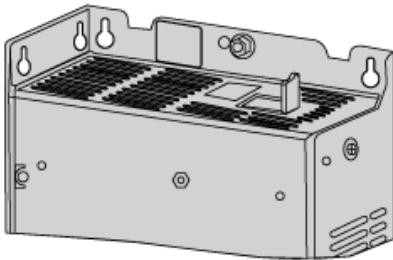
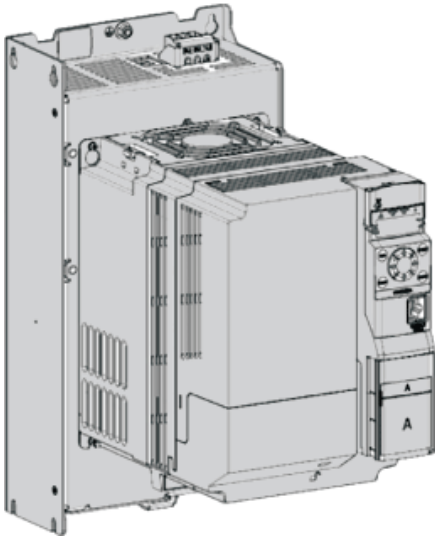
Dimensions

Front and Side Views

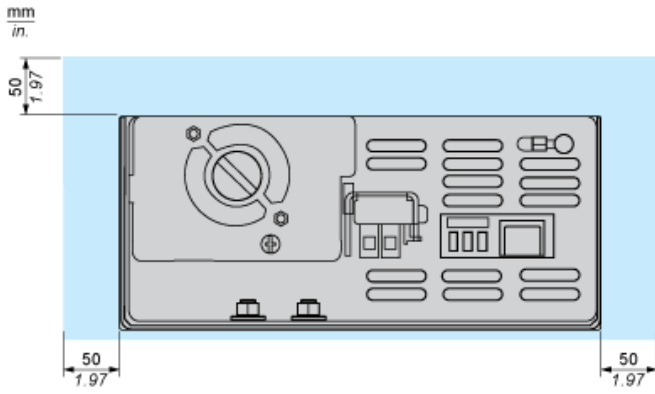


## Mounting Recommendations

### Vertical Flat Mounting



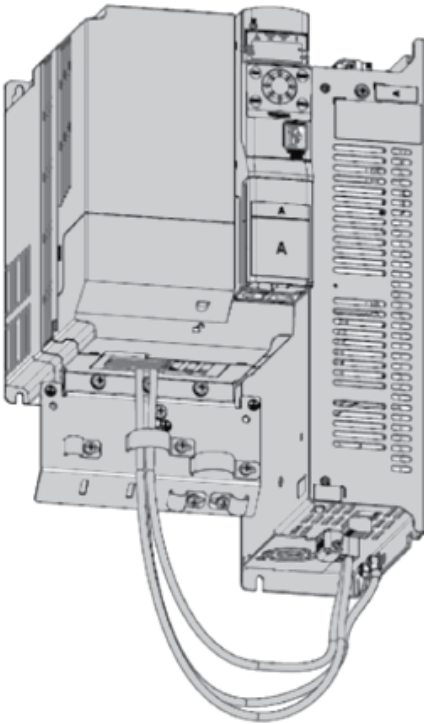
(1) : Fixing holes for ATV320

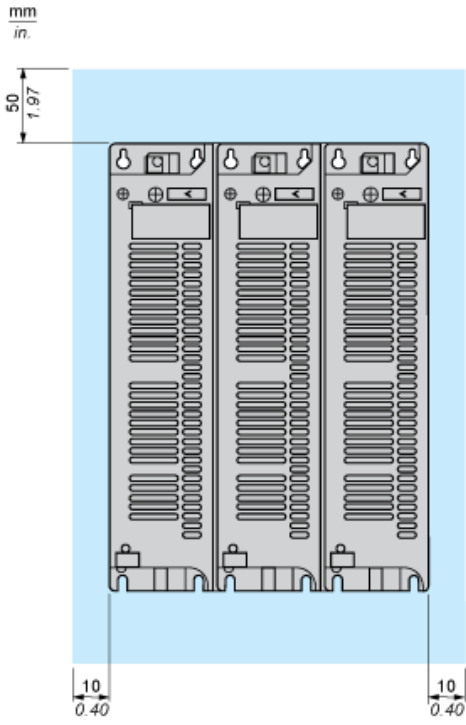


## Mounting Recommendations

---

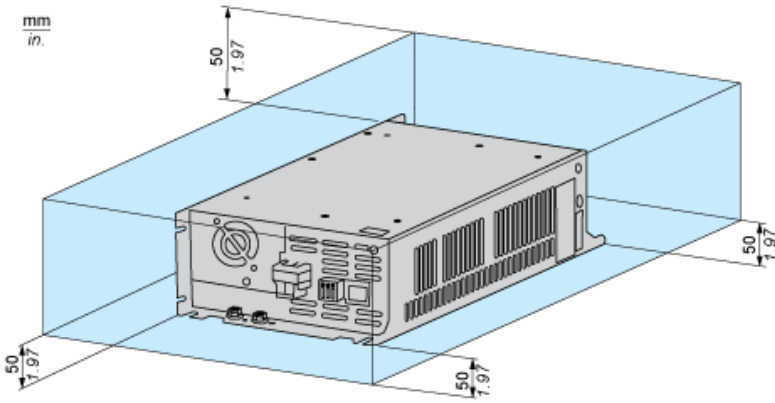
### Side by Side Mounting





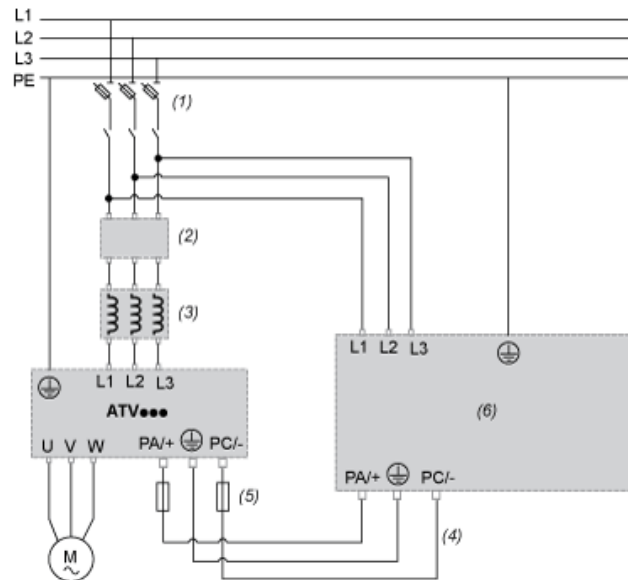
## Mounting Recommendations

### Horizontal Flat Mounting



## Wiring Diagram

### Drive and Regenerative Unit



- (1) : AC protection fuses
- (2) : Optional additional EMC input Filter (see drive catalog)
- (3) : Optional AC Choke (see drive catalog)
- (4) : DC bus link
- (5) : DC protection fuses
- (6) : Altivar Regenerative Unit