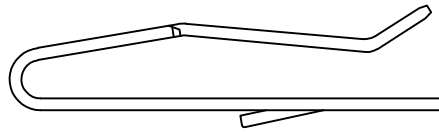
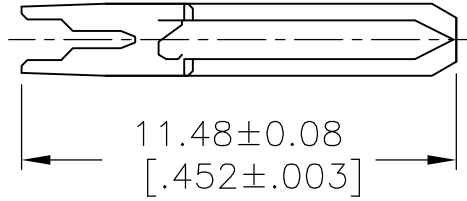


REVISIONS					
P	LTR	DESCRIPTION	DATE	DWN	APVD
	M	REVISED PER ECR-17-018816	05APR2018	BDA	SG



	TIN	640636-3
SUPERSEDED	TIN-LEAD	640636-1
	FINISH	PART NO


MATERIAL	FINISH
0.3 (.012) THK COPPER ALLOY	MATTE TIN OR BRIGHT TIN-LEAD 0.00203(.000080) MIN THK

RELEASED FOR PUBLICATION

ALL RIGHTS RESERVED.

THIS DRAWING IS UNPUBLISHED.

© COPYRIGHT - TE Connectivity Ltd.

DIMENSIONS: mm [INCHES]	DWN	BSV	25OCT2005	MATERIAL	-	FINISH	-
	CHK	D. BOSSI	25OCT2005	 TE Connectivity Ltd.			
TOLERANCES UNLESS OTHERWISE SPECIFIED:	APVD	D. BOSSI	25OCT2005				
0 PLC ± -	PRODUCT SPEC	-	NAME				CONTACT, LOOSE PIECE.
1 PLC ± -	APPLICATION SPEC	-	SIZE				22 AWG WIRE, MTA-100
2 PLC ± -	WEIGHT	-	CAGE CODE	DRAWING NO		RESTRICTED TO	
3 PLC ± -			A4	00779	C-640636	-	
4 PLC ± -			CUSTOMER DRAWING			SCALE	5:1
ANGLES ± -						SHEET	1 OF 1
						REV	M

