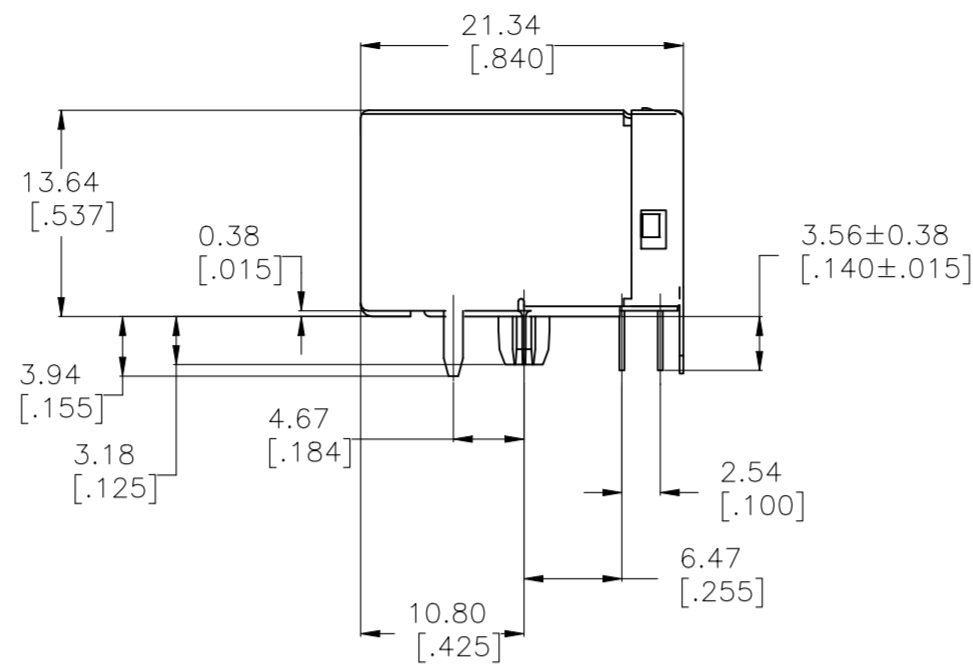
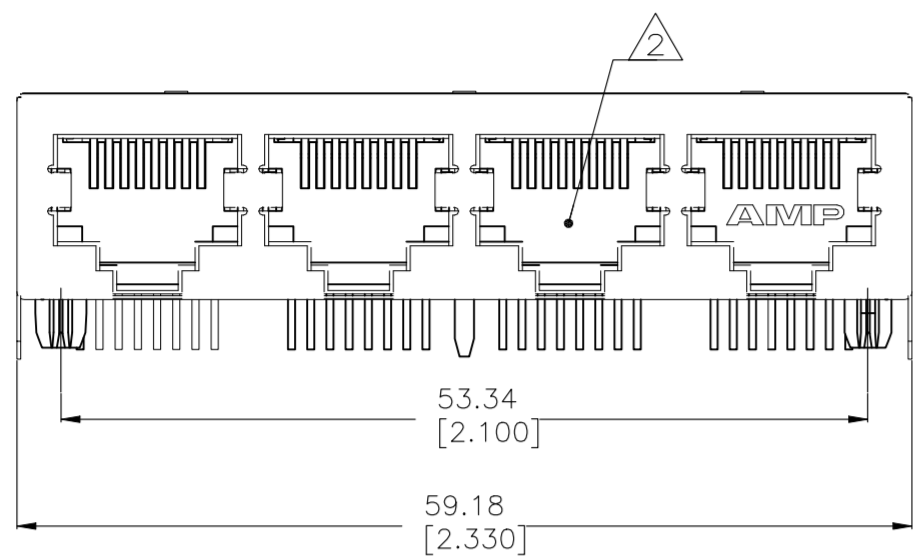


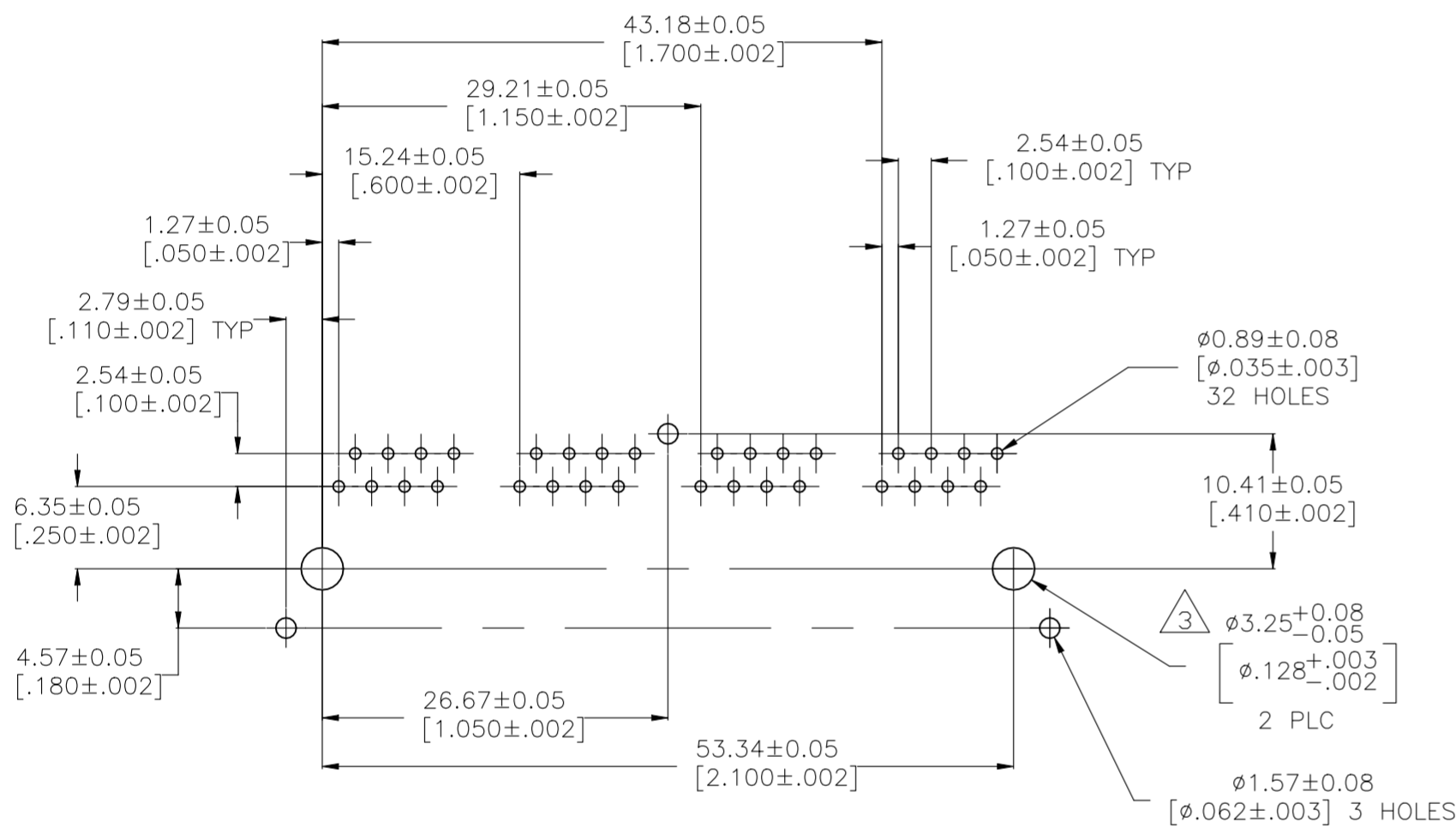
REVISIONS					
P	LTR	DESCRIPTION	DATE	DWN	APVD
B1		ECR-19-014657	13DEC2020	RR	SZ



- MATERIAL: HOUSING - NYLON, COLOR: BLACK, UL 94V-0. OVERMOLDED TERMINAL ARRAY - PBT, BROWN. TERMINALS - 0.33[.013] THICK PHOS BRONZE PLATED WITH 1.27μm[.000050] MINIMUM HARD GOLD IN LOCALIZED AREA AND 3.81μm[.000150] MINIMUM TIN-LEAD IN SOLDER AREA OVER 1.27μm[.000050] MINIMUM NICKEL UNDERPLATE. SHIELD - 0.254[.010] THICK COPPER ALLOY PLATED WITH 2.03μm[.000080] MINIMUM THICK BRIGHT TIN OVER 1.27μm[.000050] MINIMUM NICKEL

△2 JACK CAVITY CONFORMS TO FCC RULES AND REGULATIONS, PART 68 SUBPART F.

△3 USE #30 DRILL BIT OR 3.25mm DRILL BIT WHEN PRODUCING THESE PCB HOLES.



RECOMMENDED PC BOARD LAYOUT
COMPONENT SIDE
SEE APPLICATION SPECIFICATION

6116528-1
PART NUMBER

THIS DRAWING IS A CONTROLLED DOCUMENT.		DWN L. VARELA - DOCK5	TE Connectivity																			
DIMENSIONS: mm [INCHES]		CHK J. WESTMAN																				
TOLERANCES UNLESS OTHERWISE SPECIFIED:		APVD S. FLICKINGER	NAME MODULAR JACK ASSY, 8 POSN, 4 P, R/A, LOW PROFILE, SHIELDED, PCB GROUND, CAT 5e																			
<table border="0"> <tr><td>0 PLC</td><td>±</td><td>-</td></tr> <tr><td>1 PLC</td><td>±</td><td>-</td></tr> <tr><td>2 PLC</td><td>±</td><td>0.25[.01]</td></tr> <tr><td>3 PLC</td><td>±</td><td>0.13[.005]</td></tr> <tr><td>4 PLC</td><td>±</td><td>-</td></tr> <tr><td>ANGLES</td><td></td><td>± -</td></tr> </table>		0 PLC	±	-	1 PLC	±	-	2 PLC	±	0.25[.01]	3 PLC	±	0.13[.005]	4 PLC	±	-	ANGLES		± -	PRODUCT SPEC 108-1163-2	SIZE A2	CAGE CODE 00779
0 PLC	±	-																				
1 PLC	±	-																				
2 PLC	±	0.25[.01]																				
3 PLC	±	0.13[.005]																				
4 PLC	±	-																				
ANGLES		± -																				
MATERIAL SEE NOTE 1		FINISH SEE NOTE 1	DRAWING NO 114-2048	DRAWING NO C=6116528																		
		WEIGHT 0.000000	SCALE 2:1	SHEET 1 of 1																		
		CUSTOMER DRAWING	REV B1																			