

注記
NOTE

1. 使用材料
MATERIAL
- ハウジング
HOUSING : 液晶ポリマー (LCP), ガラス充填,
UL94V-0 色:黒色
LIQUID CRYSTAL POLYMER(LCP),
GLASS FILLED,UL94V-0 COLOR:BLACK
- ターミナル
TERMINAL : 銅合金 (t=0.18)
ニッケル下地 金メッキ (コンタクト、テール部)
COPPER ALLOY(t=0.18)
GOLD PLATING(CONTACT, TAIL AREA) OVER NICKEL PLATING.
- 金具
FITTING NAIL : 銅合金 (t=0.25)
ニッケル下地 錫メッキ
COPPER ALLOY(t=0.25)
TIN OVER NICKEL PLATING.

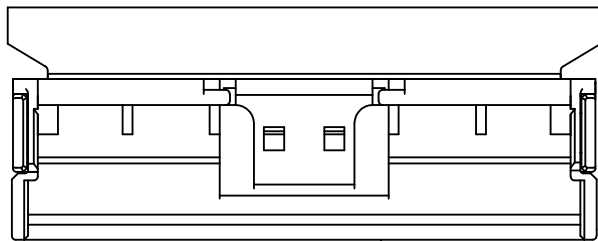
- ② N=偶数に適用 (N:極数)
APPLY FOR N-EVEN IN CIRCUIT
- ③ パターン剥離止め用金具
FITTING NAIL FOR PREVENTION OF PEELING
OF P.C.B. PATTERN.
- ④ 適合ジャケット: 501783-**09
製品詳細寸法はSD-501783-001を参照下さい。
APPLICABLE JACKET:501783-**09
RE DETAILED DIMENSION SEE "SD-501783-001.
- ⑤ 適合ジャケットカバー: 501784-**09
製品詳細寸法はSD-501784-001を参照下さい。
APPLICABLE JACKET:501784-**09
RE DETAILED DIMENSION SEE "SD-501784-001.
6. ELV及びRoHS適合品
ELV AND ROHS COMPLIANT

参考基板レイアウト
P.C.B. BOARD PATTERN
DIMENSION (REF.)
(マウント面)
(MOUNTING SIDE)

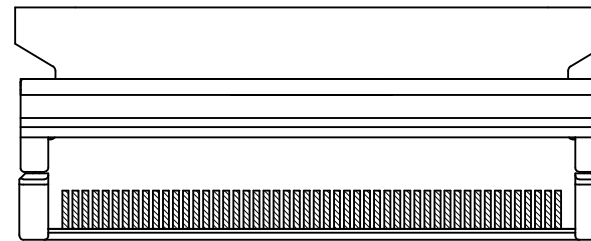
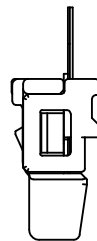
42.2	44.1	39.5	48.1	501786-8090	80
27.2	29.1	24.5	33.1	501786-5090	50
D	C	B	A	EMBOSSED PACKAGE	極数
オーダー番号 ORDER NO.					CIRCUITS
CONNECTOR SERIES NO. 501786-**11					

REVISED EC NO: J2010-1937 DRWN: YMORI 2010/03/25 CHKD: MATSUURA 2010/03/25 APPR: KMORIKAWA 2010/05/10	DESCRIPTION	GENERAL TOLERANCES (UNLESS SPECIFIED)		DIMENSION STYLE MM ONLY		SCALE	DESIGN UNITS METRIC		THIRD ANGLE PROJECTION	
		10 UNDER	±0.2	DRAWN BY	DATE	TITLE				
		10 OVER 30 UNDER	±0.25	H. IJIMA	06/01/13	0.5 FFC TO BOARD CONN REC HSG ASSY(ST)				
		30 OVER	±0.3	K. TAKAHASHI	06/01/13					
A	REV	ANGULAR ±1 °		APPROVED BY	DATE	MOLEX INCORPORATED				
		DRAFT WHERE APPLICABLE MUST REMAIN WITHIN DIMENSIONS		H. HIRATA	06/01/13	MATERIAL NO. 501786-**11				
				DOCUMENT NO. SD-501786-001		SHEET NO. 1 OF 2				
				THIS DRAWING CONTAINS INFORMATION THAT IS PROPRIETARY TO MOLEX INCORPORATED AND SHOULD NOT BE USED WITHOUT WRITTEN PERMISSION						

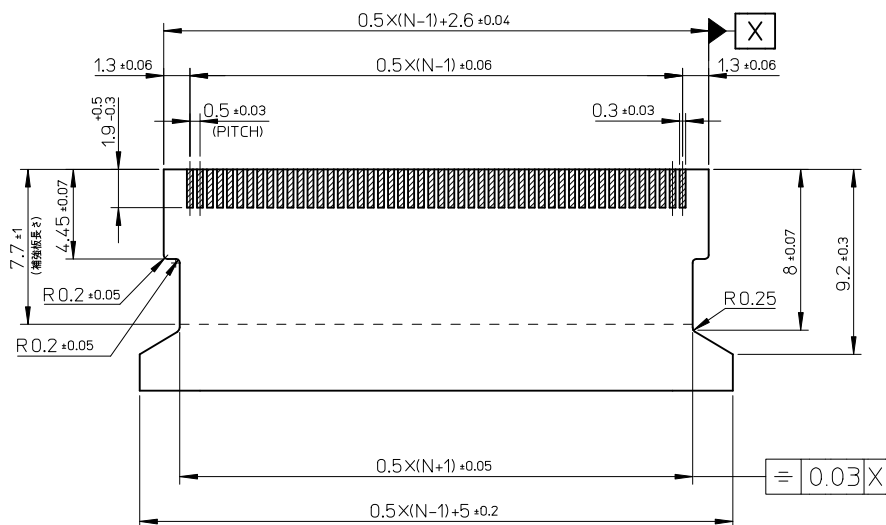
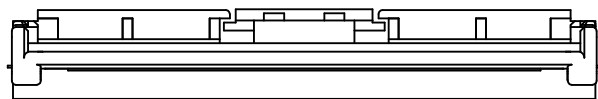
10 9 8 7 6 5 4 3 2 1



△ ジャケット
JACKET

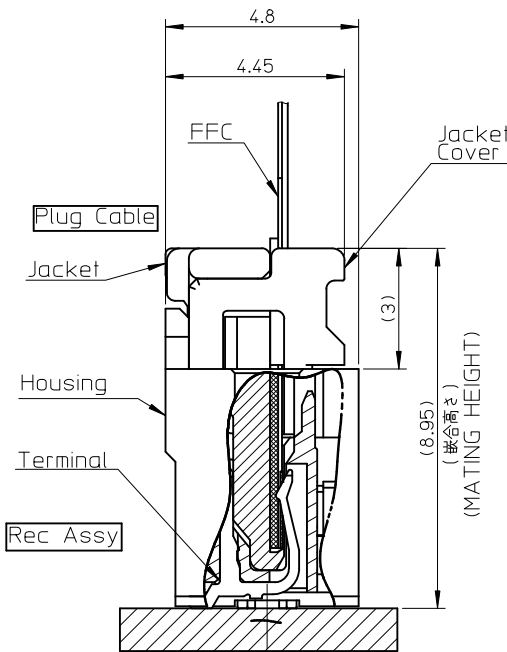


△ ジャケットカバー
JACKET COVER



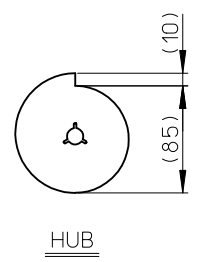
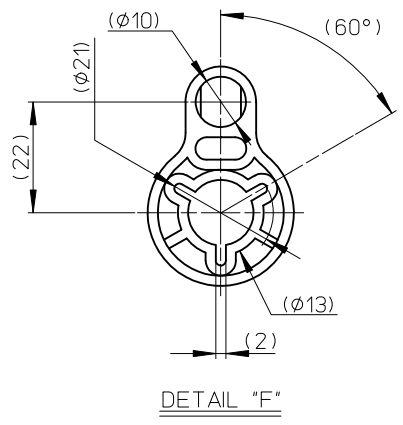
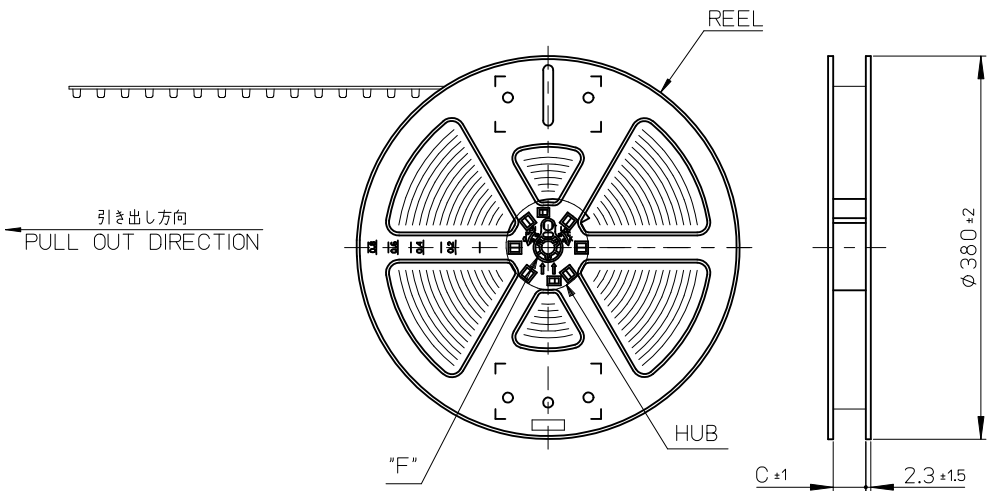
コネクタ接点部

適合FFC推奨寸法
APPLICABLE FFC
RECOMMENDED DIMENSION
(仕上がり厚さ: コネクタ接点部 0.3±0.03)



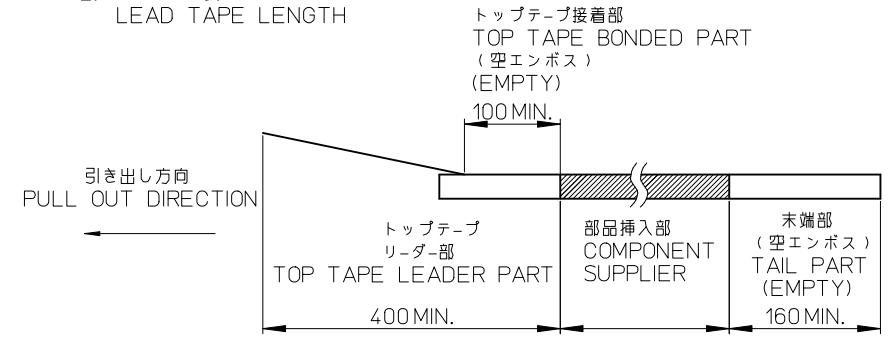
嵌合断面図

SEE SHEET 1 OF 2 EC NO: J2010-1937 DRWN: YMORI 2010/03/25 CHKD: MATSUURA 2010/03/25 APPR: KMORIKAWA 2010/05/10	GENERAL TOLERANCES (UNLESS SPECIFIED)		DIMENSION STYLE MM ONLY	SCALE 1:1	DESIGN UNITS METRIC	THIRD ANGLE PROJECTION
	10 UNDER	± 0.2	DRAWN BY H. IJIMA	DATE 06/01/13	TITLE 0.5 FFC TO BOARD CONN REC HSG ASSY(ST)	
	10 OVER 30 UNDER	± 0.25	CHECKED BY K. TAKAHASHI	DATE 06/01/13	MOLEX INCORPORATED	
	30 OVER	± 0.3	APPROVED BY H. HIRATA	DATE 06/01/13	MATERIAL NO. 501786-**11	DOCUMENT NO. SD-501786-001
A	REV	DESCRIPTION ANGULAR ±1 ° DRAFT WHERE APPLICABLE MUST REMAIN WITHIN DIMENSIONS	SIZE A3	THIS DRAWING CONTAINS INFORMATION THAT IS PROPRIETARY TO MOLEX INCORPORATED AND SHOULD NOT BE USED WITHOUT WRITTEN PERMISSION		

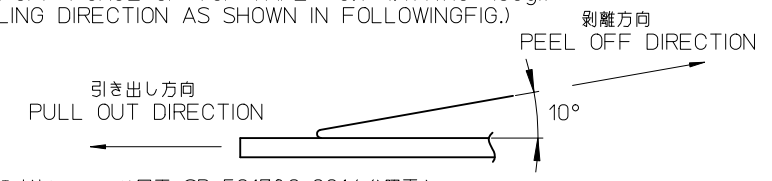


NOTES

- 梱包数量：900 個ノリール
NUMBER OF CONNECTORS:900 PCS/REEL
- リードテープ長さ
LEAD TAPE LENGTH



- 3. トップテープの剥離強度：0.1~1.47N(10~150gf)
(剥離方向は下図参照)
剥離速度：300mm/MIN.(参考)
PEEL-OFF FORCE OF TOP TAPE : 0.1~1.47N(10~150gf)
(PEELING DIRECTION AS SHOWN IN FOLLOWINGFIG.)

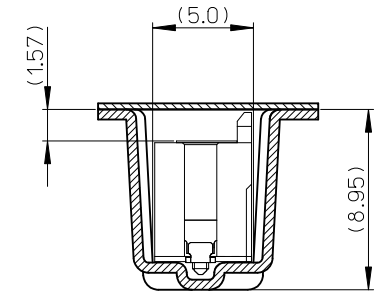
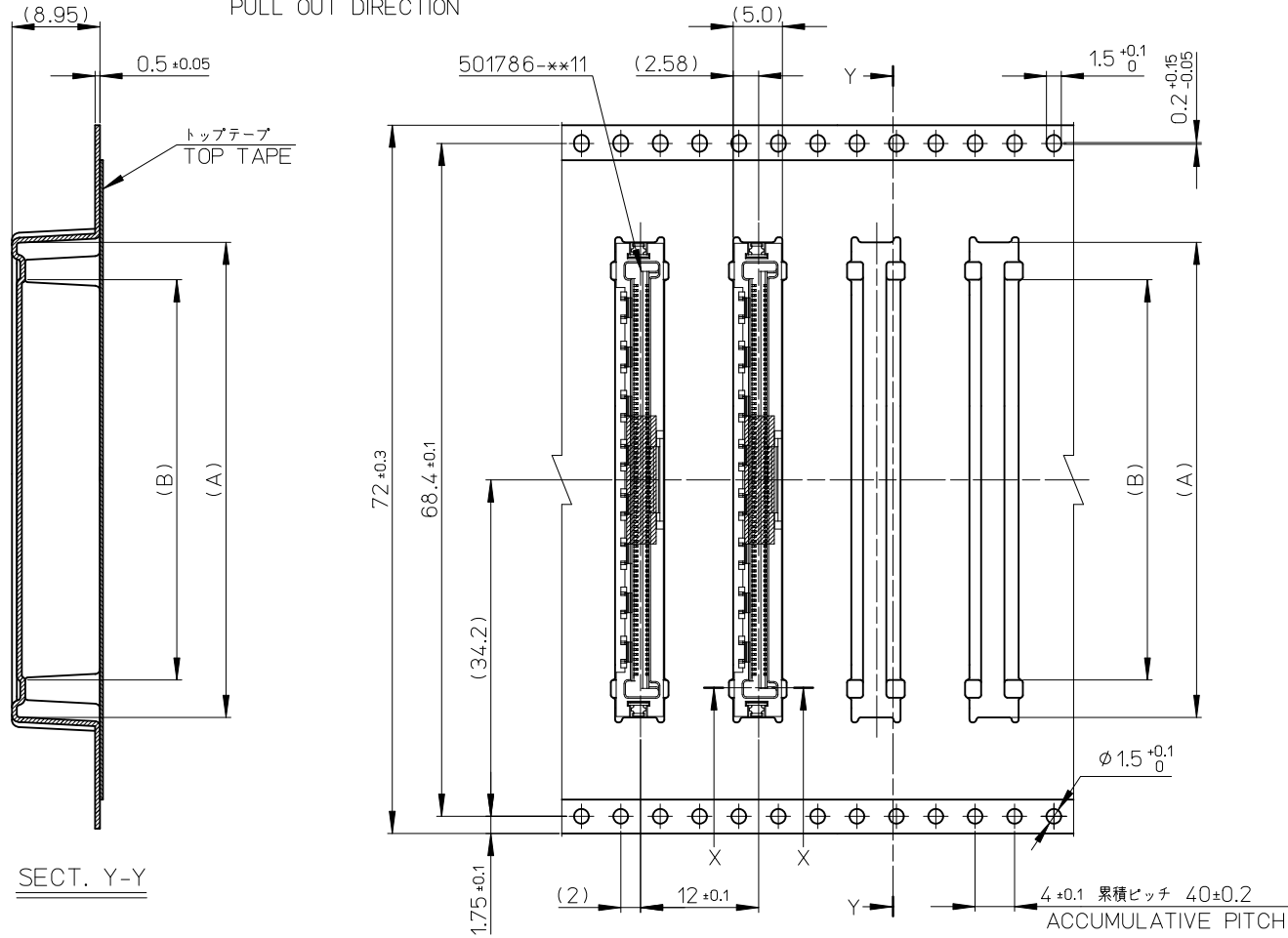


- 製品詳細寸法については図面 SD-501786-001を参照下さい。
RE DETAILED DIMENSION, SEE SD-501786-001.
- 材料(MATERIAL)
キャリアテープ(CARRIER TAPE)：ポリスチレン(POLYSTYRENE)
トップテープ(TOP TAPE)：PET, PE, PE
リール(REEL)：ポリスチレン(POLYSTYRENE)
- ELV及びRoHS適合品
ELV AND RoHS COMPLIANT

REVISED EC NO: J2010-1937 DRWN:YMORI 2010/03/25 CHKD:MATSUURA 2010/03/25 APPR:KMORIKAWA 2010/05/10	DESCRIPTION A	GENERAL TOLERANCES (UNLESS SPECIFIED)		DIMENSION STYLE MM ONLY		SCALE ---	DESIGN UNITS METRIC	THIRD ANGLE PROJECTION		
		10 UNDER	±0.2	DRAWN BY H. IIJIMA	DATE 06/01/17	TITLE EMBSTP PKG FOR 0.5 FFC TO BOARD ST TYPE				
		10 OVER 30 UNDER	±0.25	CHECKED BY K. TAKAHASHI	DATE 06/01/17	MOLEX INCORPORATED				
		30 OVER	±0.3	APPROVED BY H. HIRATA	DATE 06/01/17					
ANGULAR ±3 °		DRAFT WHERE APPLICABLE MUST REMAIN WITHIN DIMENSIONS		MATERIAL NO. 501786-***90		DOCUMENT NO. SD-501786-003			SHEET NO. 1 OF 2	

10 9 8 7 6 5 4 3 2 1

引き出し方向
PULL OUT DIRECTION



SECT. X-X

SECT. Y-Y

72mm幅キャリアテープ
72mm WIDTH CARRIER TAPE

72	73.5	40.68	48.3	501786-8090	80
キャリアテープ幅 CARRIER TAPE WIDTH	C	B	A	オーダー番号 ORDER NO.	極数 CKT

REVISED EC NO: J2010-1937 DRWN: YMORI 2010/03/25 CHKD: MATSUURA 2010/03/25 APPR: KMORIKAWA 2010/05/10	GENERAL TOLERANCES (UNLESS SPECIFIED)		DIMENSION STYLE MM ONLY		SCALE ---	DESIGN UNITS METRIC	THIRD ANGLE PROJECTION
	10 UNDER	± 0.2	DRAWN BY H. IJIMA	DATE 06/01/17	EMBSTP PKG FOR 0.5 FFC TO BOARD ST TYPE MOLEX INCORPORATED DOCUMENT NO. SD-501786-003 SHEET NO. 2 OF 2		
	10 OVER 30 UNDER	± 0.25	CHECKED BY K. TAKAHASHI	DATE 06/01/17			
	30 OVER	± 0.3	APPROVED BY H. HIRATA	DATE 06/01/17			
ANGULAR	± 3 °	MATERIAL NO. 501786-**90	SIZE A3				
DRAFT WHERE APPLICABLE MUST REMAIN WITHIN DIMENSIONS		THIS DRAWING CONTAINS INFORMATION THAT IS PROPRIETARY TO MOLEX INCORPORATED AND SHOULD NOT BE USED WITHOUT WRITTEN PERMISSION					