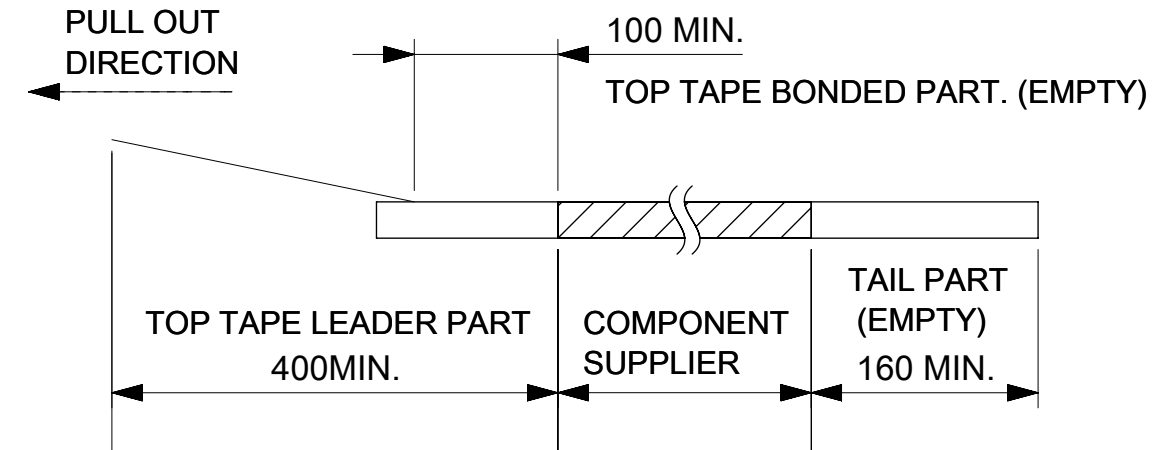
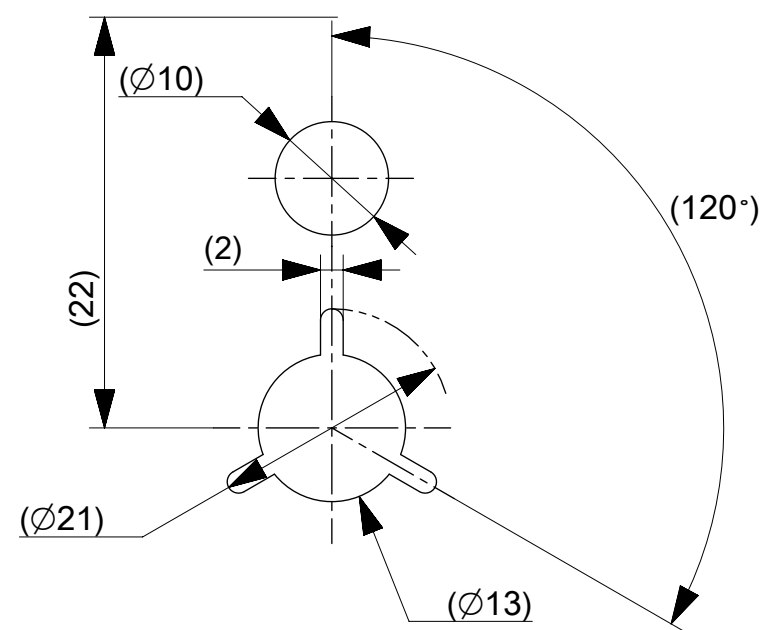


NOTES

1. RE DETAILED DIMENSION, SEE PRODUCT DRAWING.
2. NUMBER OF CONNECTORS : 20000PCS/REEL
3. LEAD TAPE LENGTH.

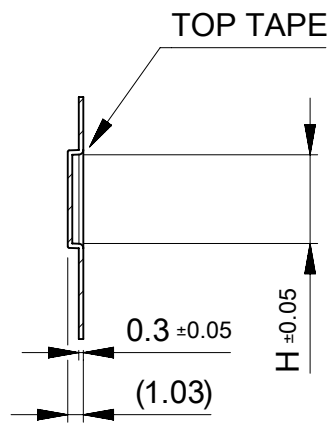


4. PEELING OFF FORCE OF THE TOP TAPE IS DEFINED BY IEC60286-3.
5. MATERIAL
CARRIER TAPE : POLYSTYRENE OR PET
TOP TAPE : PET , OTHER
REEL : POLYSTYRENE (PS) < RECYCLE MATERIAL CONTAINED >
6. ELV AND RoHS COMPLIANT
7. CONFORM TO 2033899200-SPK_PS200 FOR PACKAGING SPECIFICATION.
8. CONFORM TO 2033899200-SPK_PS201 FOR PACKAGING SPECIFICATION.

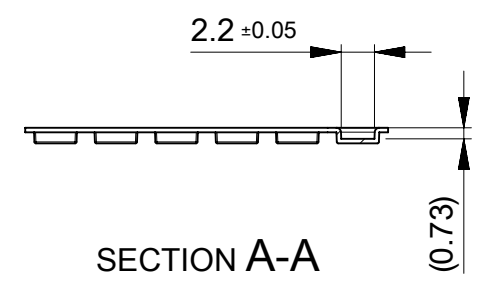
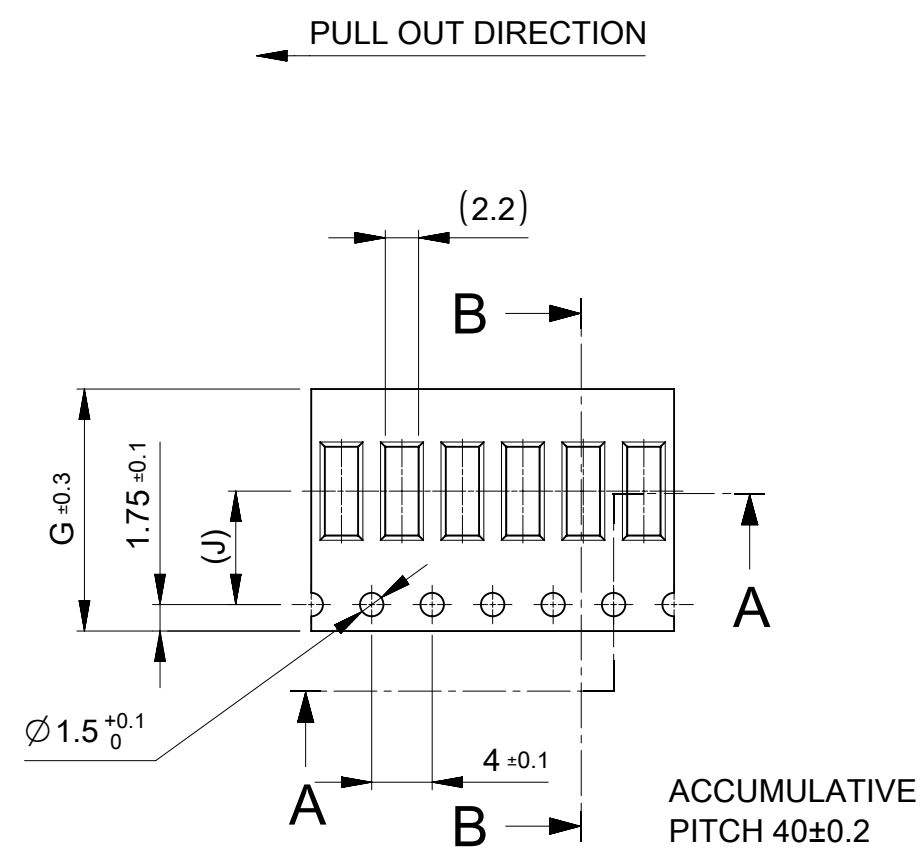


DETAIL "D"

THIS DRAWING CONTAINS INFORMATION THAT IS PROPRIETARY TO MOLEX ELECTRONIC TECHNOLOGIES, LLC AND SHOULD NOT BE USED WITHOUT WRITTEN PERMISSION													
DIMENSION UNITS		SCALE		CURRENT REV DESC:				molex					
mm		1:1											
GENERAL TOLERANCES (UNLESS SPECIFIED)				EC NO: 725424 DRWN: AISHII 2022/10/20 CHK'D: YKOBAYASHI02 2022/10/20 APPR: KSASAKI 2022/10/21 INITIAL REVISION: DRWN: DGONDO 2020/06/25 APPR: YKOBAYASHI02 2020/07/07				0.175BB H=0.6 QUADROW REC EMBS PACKAGE					
ANGULAR TOL ± 3.0 °								PRODUCT CUSTOMER DRAWING					
4 PLACES ± 0.03		3 PLACES ± 0.03						DOCUMENT NUMBER		DOC TYPE		DOC PART	
2 PLACES ± 0.05		1 PLACE ± 0.1						2033890000-SD		PSD		000	
0 PLACES ± 0.2		DRAFT WHERE APPLICABLE MUST REMAIN WITHIN DIMENSIONS						THIRD ANGLE PROJECTION		DRAWING		SERIES	
				A3-SIZE		203389		MATERIAL NUMBER					
				SEE CHART		CUSTOMER		GENERAL					
								SHEET NUMBER					
								1 OF 2					



SECTION B-B

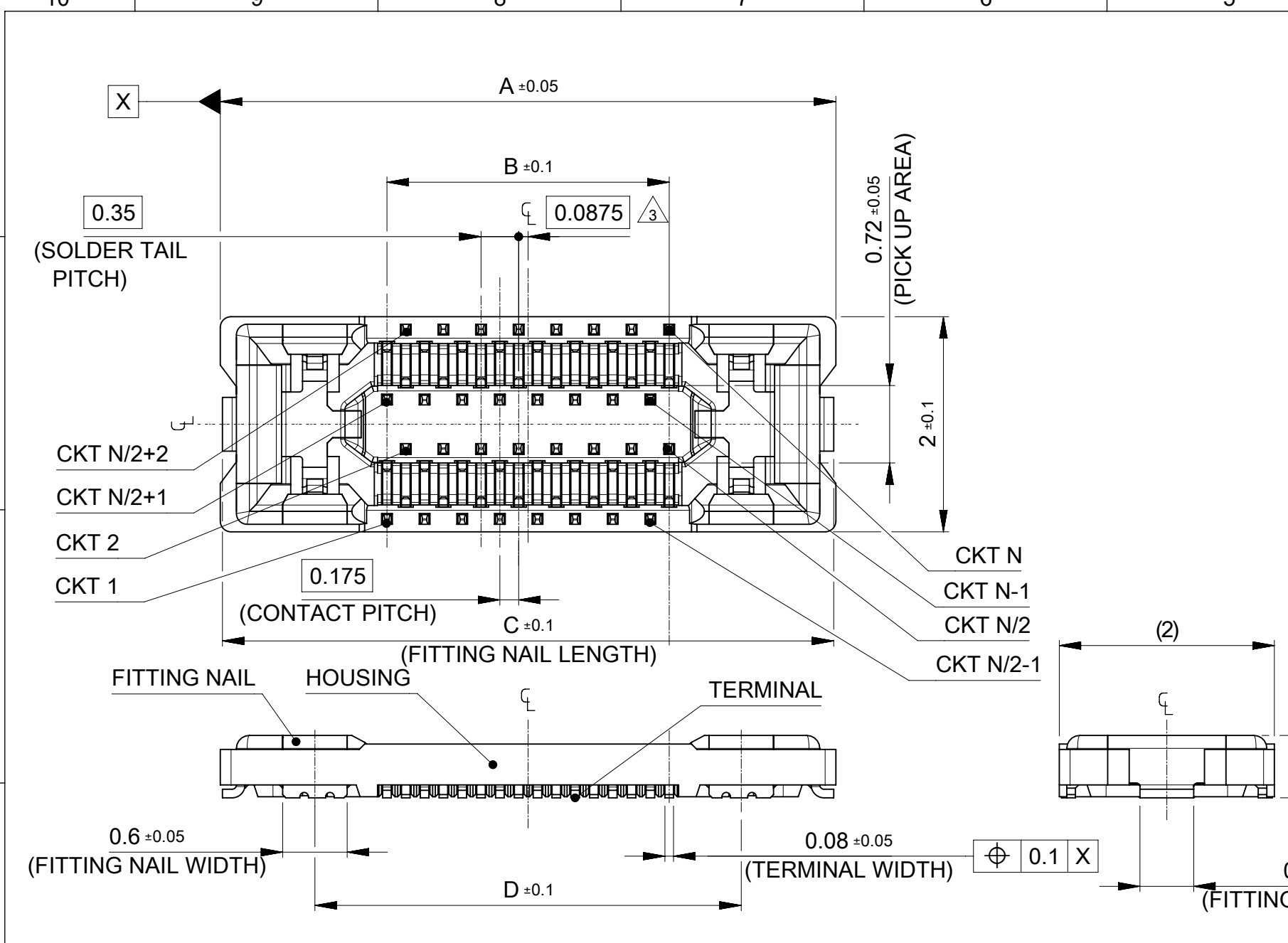


SECTION A-A

7.5	6.215	16	21.4	17.4	2033890363	2033890361	36
7.5	5.865	16	21.4	17.4	2033890323	2033890321	32
J	H	G	F	E	ORDER NO.	ORDER NO.	CIRCUIT
					PACKAGING SPEC: \triangle_8	PACKAGING SPEC: \triangle_7	

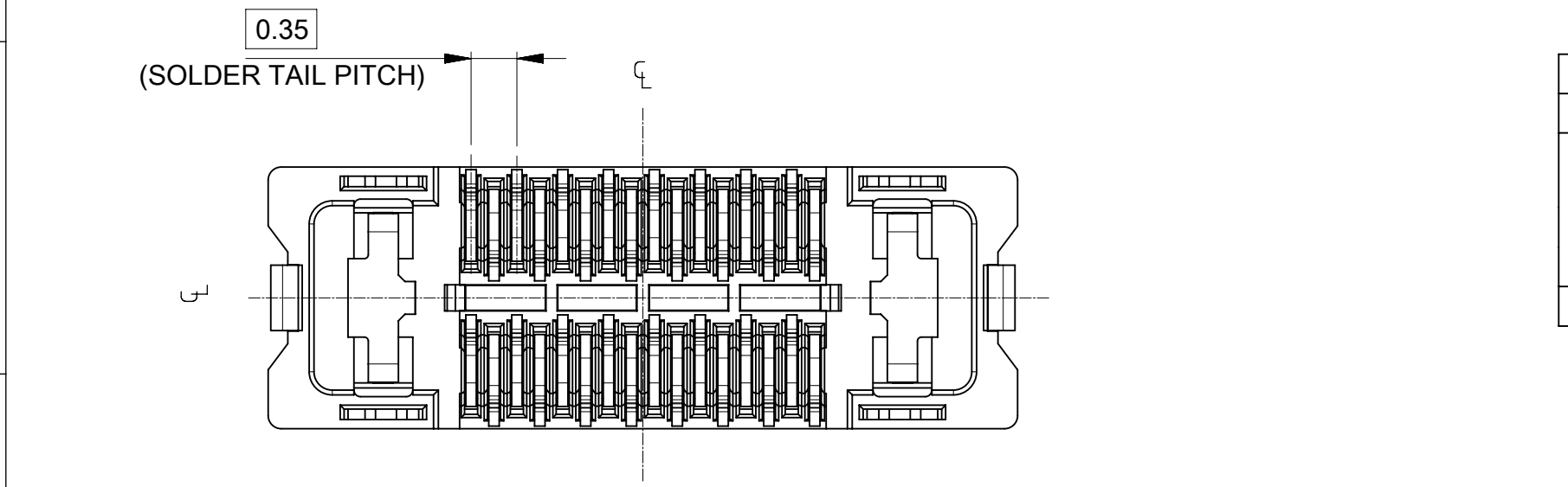
CONNECTOR SERIES No. 2033890***

THIS DRAWING CONTAINS INFORMATION THAT IS PROPRIETARY TO MOLEX ELECTRONIC TECHNOLOGIES, LLC AND SHOULD NOT BE USED WITHOUT WRITTEN PERMISSION									
DIMENSION UNITS		SCALE		CURRENT REV DESC:				molex	
mm		2:1							
GENERAL TOLERANCES (UNLESS SPECIFIED)									
ANGULAR TOL		± 3.0 °		EC NO: 725424				0.175BB H=0.6 QUADROW REC EMBS PACKAGE	
4 PLACES		± 0.03		DRWN: AISHII		2022/10/20		PRODUCT CUSTOMER DRAWING	
3 PLACES		± 0.03		CHK'D: YKOBAYASHI02		2022/10/20		DOCUMENT NUMBER	
2 PLACES		± 0.05		APPR: KSASAKI		2022/10/21		2033890000-SD	
1 PLACE		± 0.1		INITIAL REVISION:		2020/06/25		DOC TYPE	
0 PLACES		± 0.2		DRWN: DGONDO		2020/07/07		DOC PART	
DRAFT WHERE APPLICABLE MUST REMAIN WITHIN DIMENSIONS		THIRD ANGLE PROJECTION		DRAWING		SERIES		REVISION	
				A3-SIZE		203389		E	
				MATERIAL NUMBER		CUSTOMER		SHEET NUMBER	
				SEE CHART		GENERAL		2 OF 2	



NOTES

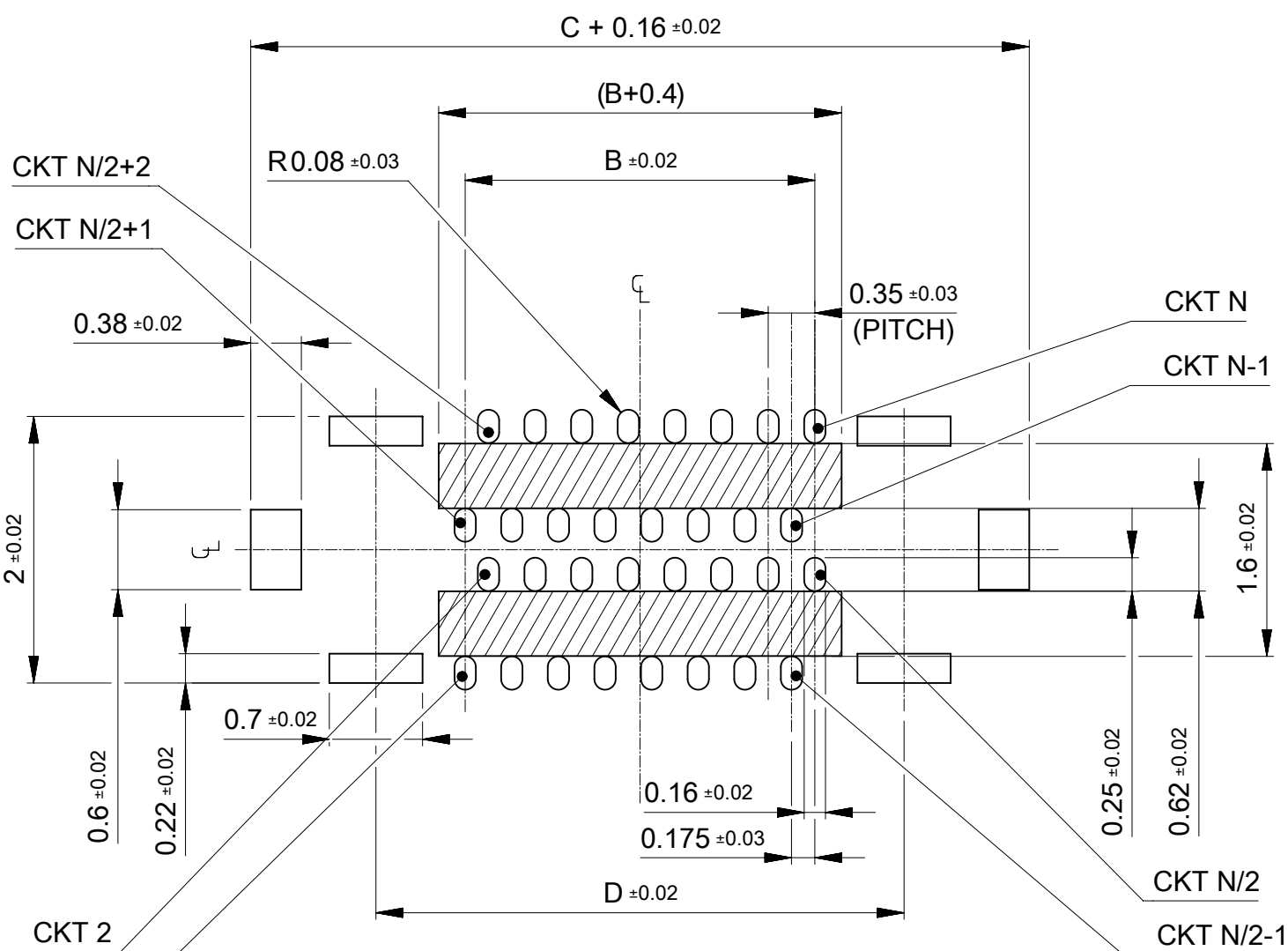
- MATERIAL
 HOUSING : LIQUID CRYSTAL POLYMER UL94V-0(COLOR : BLACK)
 TERMINAL : COPPER ALLOY
 FITTING NAIL : COPPER ALLOY
 - PLATING
 TERMINAL
 CONTACT AREA : GOLD 0.1 μm MIN.
 TAIL AREA : GOLD 0.05 μm MIN.
 UNDER PLATING : NICKEL 1.0 μm MIN.
 *DIVIDE INTO PARTS THE GOLD PLATING OF CONTACT AND THE TAIL PART BY THE NICKEL PLATING.
 *EITHER GOLD OR NICKEL PLATING IS ACCEPTABLE IN THE AREA WHICH IS NOT SPECIFIED AS CONTACT , TAIL OR NICKEL BARRIER.
 FITTING NAIL
 CONTACT AREA : GOLD 0.1 μm MIN.
 TAIL AREA : GOLD 0.05 μm MIN.
 UNDER PLATING : NICKEL 1.0 μm MIN.
 *DIVIDE INTO PARTS THE GOLD PLATING OF CONTACT AND THE TAIL PART BY THE NICKEL PLATING.
 *EITHER GOLD OR NICKEL PLATING IS ACCEPTABLE IN THE AREA WHICH IS NOT SPECIFIED AS CONTACT , TAIL OR NICKEL BARRIER.
- △3 APPLY FOR (CIRCUIT/4)=EVEN
 4. MATE WITH : 2033900**1, 2033900**3
 5. TAIL AND FITTING NAIL COPLANARITY TO BE 0.08mm MAXIMUM.
 △6 CONFORM TO 2033899200-SPK_PS200 FOR PACKAGING SPECIFICATION.
 △7 CONFORM TO 2033899200-SPK_PS201 FOR PACKAGING SPECIFICATION.



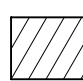
4.315	6.035	2.975	6.075	2033890363	2033890361	36
3.965	5.685	2.625	5.725	2033890323	2033890321	32
D	C	B	A	EMBOSSD TAPE PACKAGE	EMBOSSD TAPE PACKAGE	CIRCUIT
				ORDER No.	ORDER No.	
				PACKAGING SPEC: △7	PACKAGING SPEC: △6	

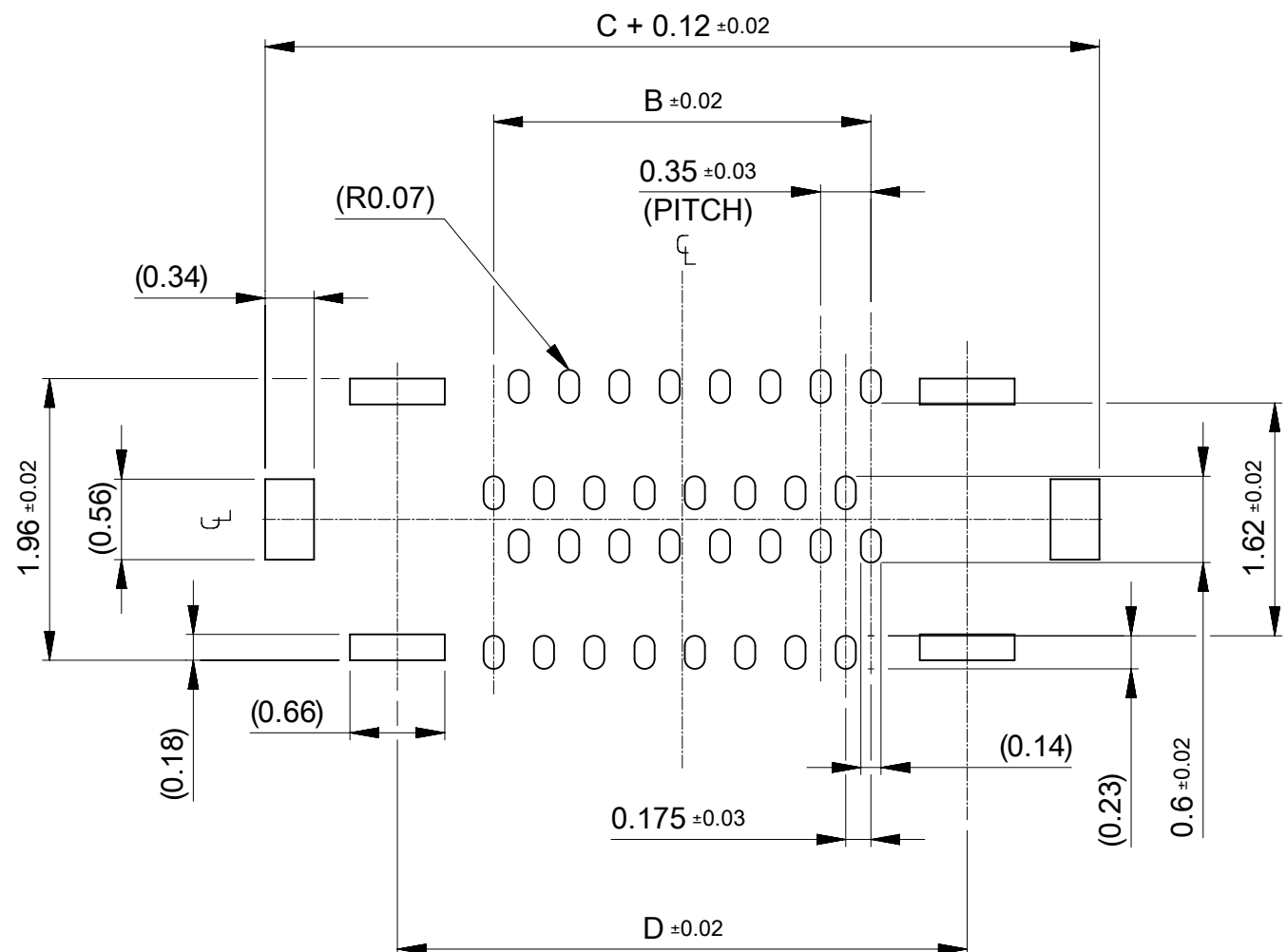
CONNECTOR SERIES No. : 2033891**1

THIS DRAWING CONTAINS INFORMATION THAT IS PROPRIETARY TO MOLEX ELECTRONIC TECHNOLOGIES, LLC AND SHOULD NOT BE USED WITHOUT WRITTEN PERMISSION		CURRENT REV DESC:		molex		
DIMENSION UNITS	SCALE					
mm	20:1			0.175 BB H=0.6 QUAD ROW REC ASSY		
GENERAL TOLERANCES (UNLESS SPECIFIED)				PRODUCT CUSTOMER DRAWING		
ANGULAR TOL	± 3.0 °			DOCUMENT NUMBER		
4 PLACES	± 0.03	EC NO: 725424		2033891000-SD		
3 PLACES	± 0.03	DRWN: AISHII		PSD 000 E		
2 PLACES	± 0.05	CHK'D: YKOBAYASHI02		DOC TYPE		
1 PLACE	± 0.1	APPR: KSASAKI		DOC PART		
0 PLACES	± 0.2	INITIAL REVISION:		REVISION		
DRAFT WHERE APPLICABLE MUST REMAIN WITHIN DIMENSIONS		THIRD ANGLE PROJECTION	DRAWING	SERIES	MATERIAL NUMBER	CUSTOMER
			A3-SIZE	203389	SEE CHART	GENERAL
						SHEET NUMBER
						1 OF 2



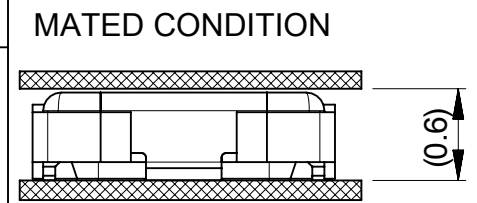
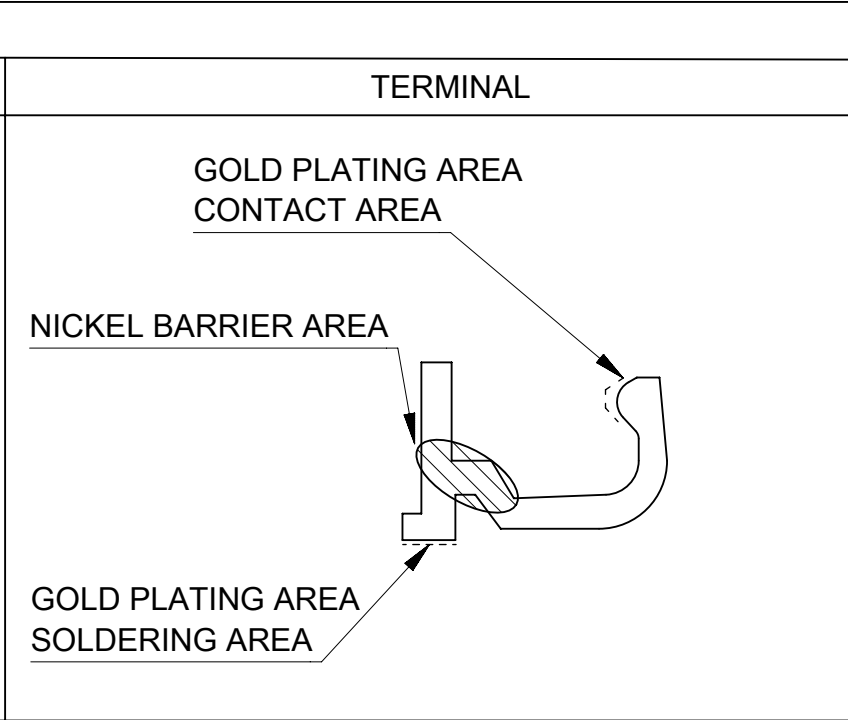
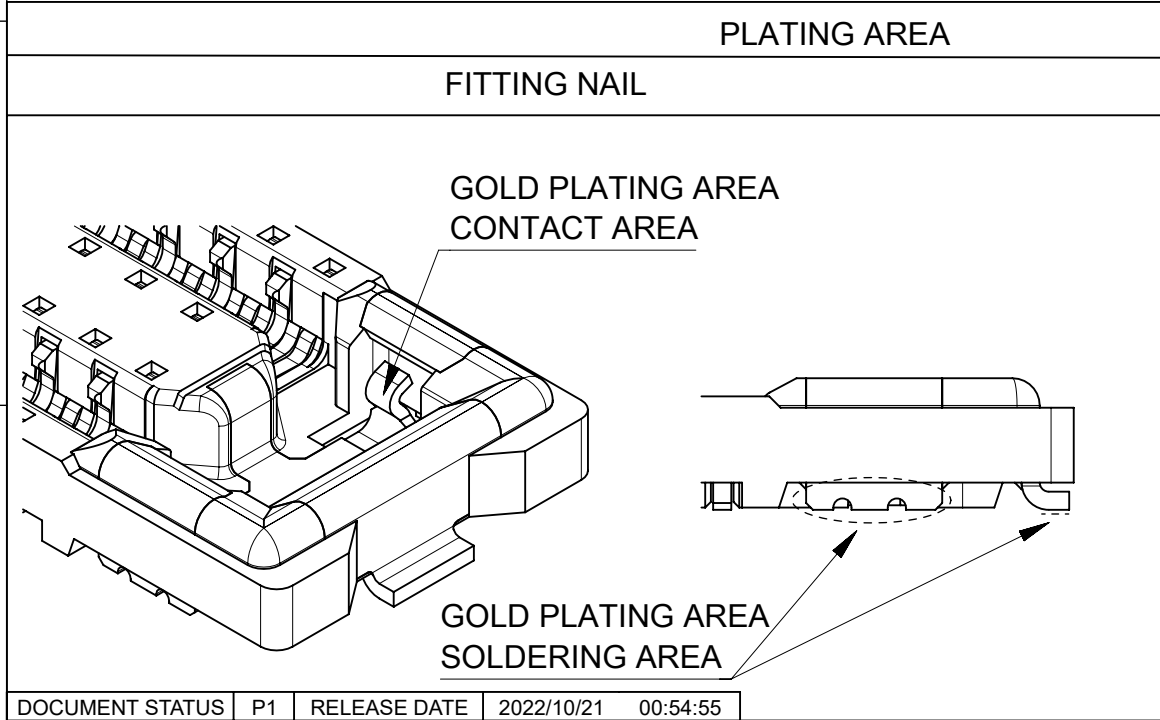
RECOMMENDED P.W. BOARD PATTERN LAYOUT (REFERENCE)
(SM OPENING DIMENSION)

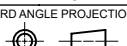

 SOLDERING PROHIBITED AREA
WHEN WIRING IS LOCATED,
THE WIRING MUST BE MASKED BY COVER LAY OR RESIST FILM.



RECOMMENDED METAL MASK LAYOUT (REFERENCE)

RECOMMENDED THICKNESS OF METAL MASK : t=0.08mm
RECOMMENDED OPEN APERTURE RATIO OF METAL MASK : 80%



THIS DRAWING CONTAINS INFORMATION THAT IS PROPRIETARY TO MOLEX ELECTRONIC TECHNOLOGIES, LLC AND SHOULD NOT BE USED WITHOUT WRITTEN PERMISSION															
DIMENSION UNITS		SCALE		CURRENT REV DESC:											
mm		20:1													
GENERAL TOLERANCES (UNLESS SPECIFIED)															
ANGULAR TOL ± 3.0°															
4 PLACES ± 0.03															
3 PLACES ± 0.03															
2 PLACES ± 0.05															
1 PLACE ± 0.1															
0 PLACES ± 0.2															
DRAFT WHERE APPLICABLE MUST REMAIN WITHIN DIMENSIONS				THIRD ANGLE PROJECTION		DRAWING		SERIES		MATERIAL NUMBER					
						A3-SIZE		203389		SEE CHART					
DOCUMENT STATUS				P1				RELEASE DATE				2022/10/21 00:54:55			
EC NO: 725424				DRWN: AISHII				2022/10/20				 0.175 BB H=0.6 QUAD ROW REC ASSY PRODUCT CUSTOMER DRAWING			
3 PLACES ± 0.03				CHK'D: YKOBAYASHI02				2022/10/20							
2 PLACES ± 0.05				APPR: KSASAKI				2022/10/21				DOCUMENT NUMBER			
1 PLACE ± 0.1				INITIAL REVISION:				2020/06/25				2033891000-SD			
0 PLACES ± 0.2				DRWN: DGONDO				2020/07/07				DOC TYPE			
				APPR: YKOBAYASHI02								PSD			
												DOC PART			
												000			
												REVISION			
												E			
												SHEET NUMBER			
												2 OF 2			