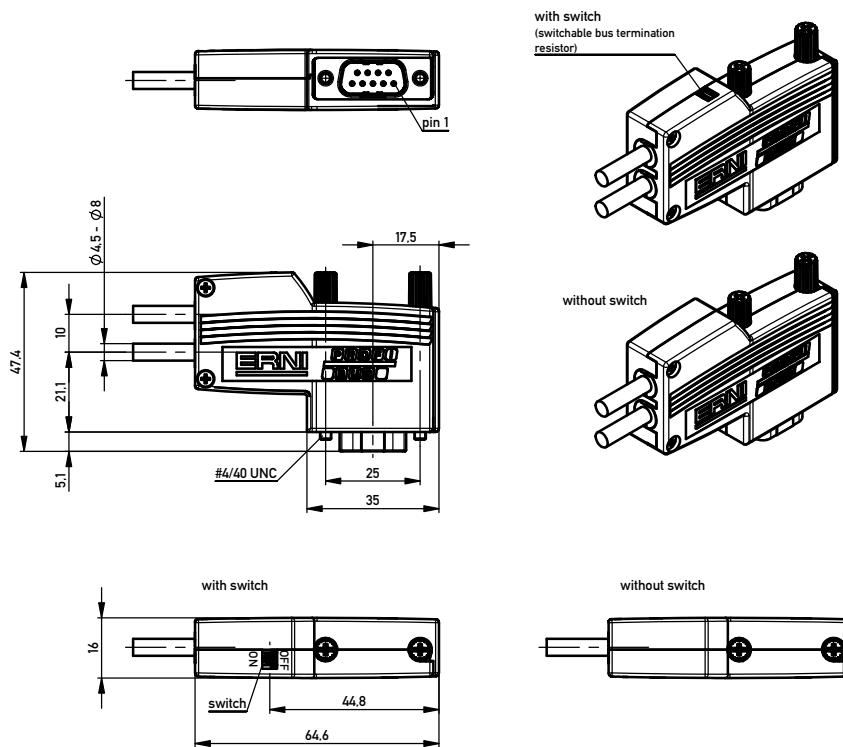
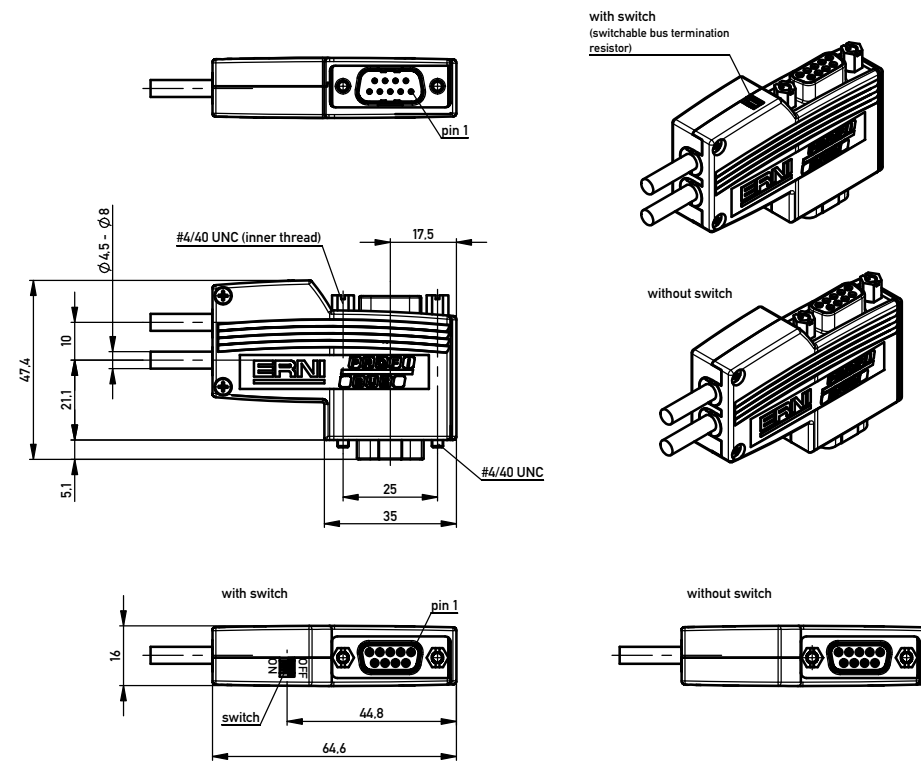


ERbic Profibus, horizontal, reversed



ERbic Profibus with PU interface, horizontal, reversed



134109	Switch	without	Screw clamp 4 pin	pebble grey	A- and B Line	#4-40 UNC
144176			IDC terminal 2x2 pin			
104577	Node		Screw clamp 4 pin	yellow		
104322	Termination		Screw clamp 2 pin			
Part number	Type	Programming interface (PU)	Cable termination	Colour	Signals / Power supply	Fastening screw thread

154842	Switch	with	IDC terminal 2x2 pin	pebble grey	A- and B Line	#4-40 UNC
Part number	Type	Programming interface (PU)	Cable termination	Colour	Signals / Power supply	Fastening screw thread

- Notes:
- Operating temperature: -20°C / +70°C
  - Protection class: IP40
  - Sealing plate: Drawing number 103356.

Information:	Tolerances		Scale 1:1
All rights reserved. Only for information. To ensure that this is the latest version of this drawing, please contact one of the ERNI companies before using.	Subject to modification without prior notice. Drawing will not be updated.		Angaben zu entsprechender Ident-Nr. siehe Fertigungsunterlagen. For further information about I.D. number see manufacturing document.
			Designation <b>ERbic horiz.rev. Profibus</b> <i>General plan</i>
Index	Date	www.ERNI.com	324262
		Class	ERBIC