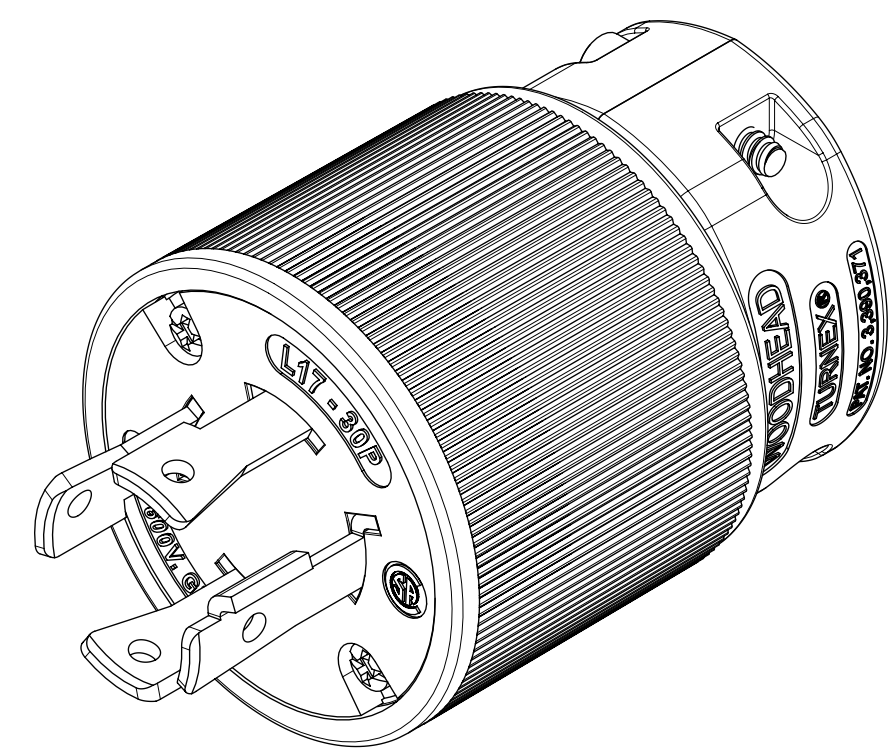
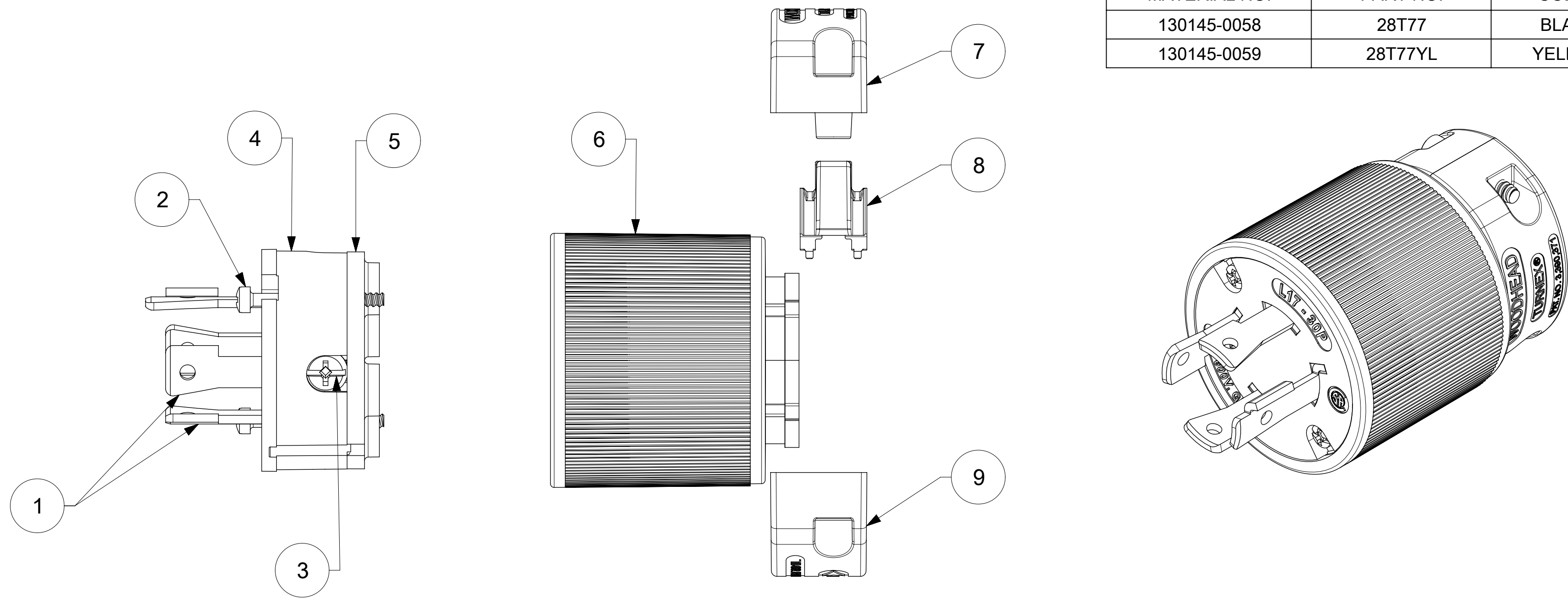
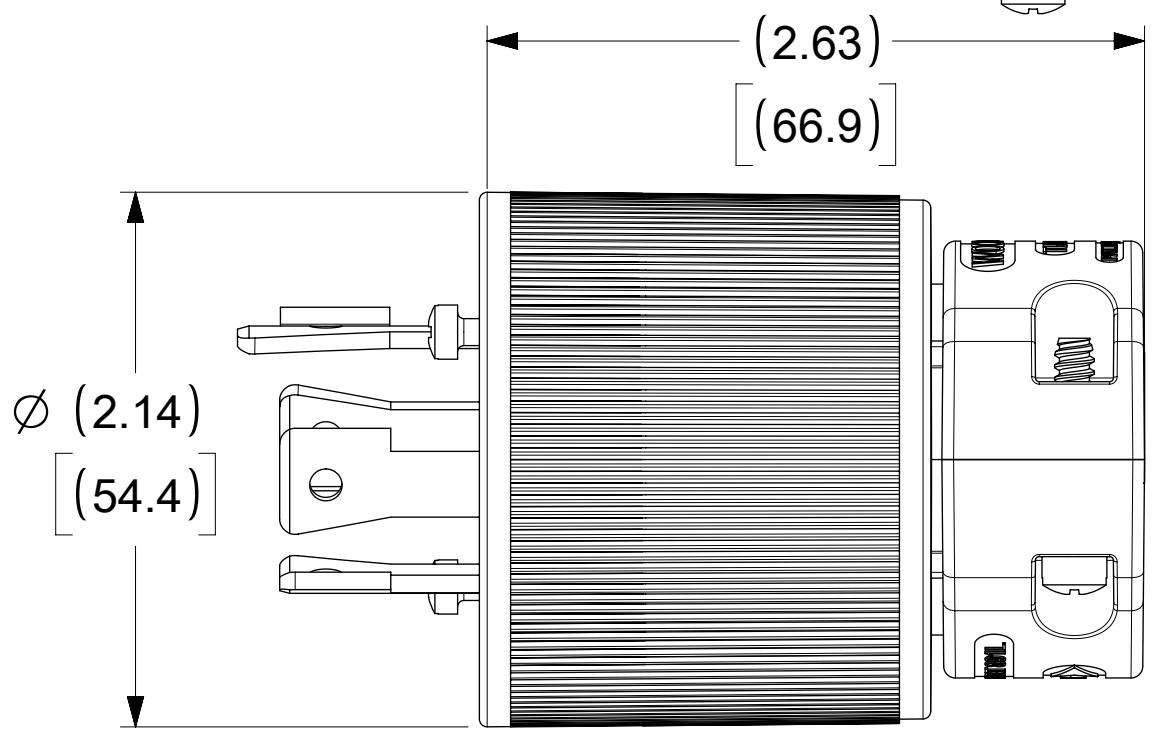


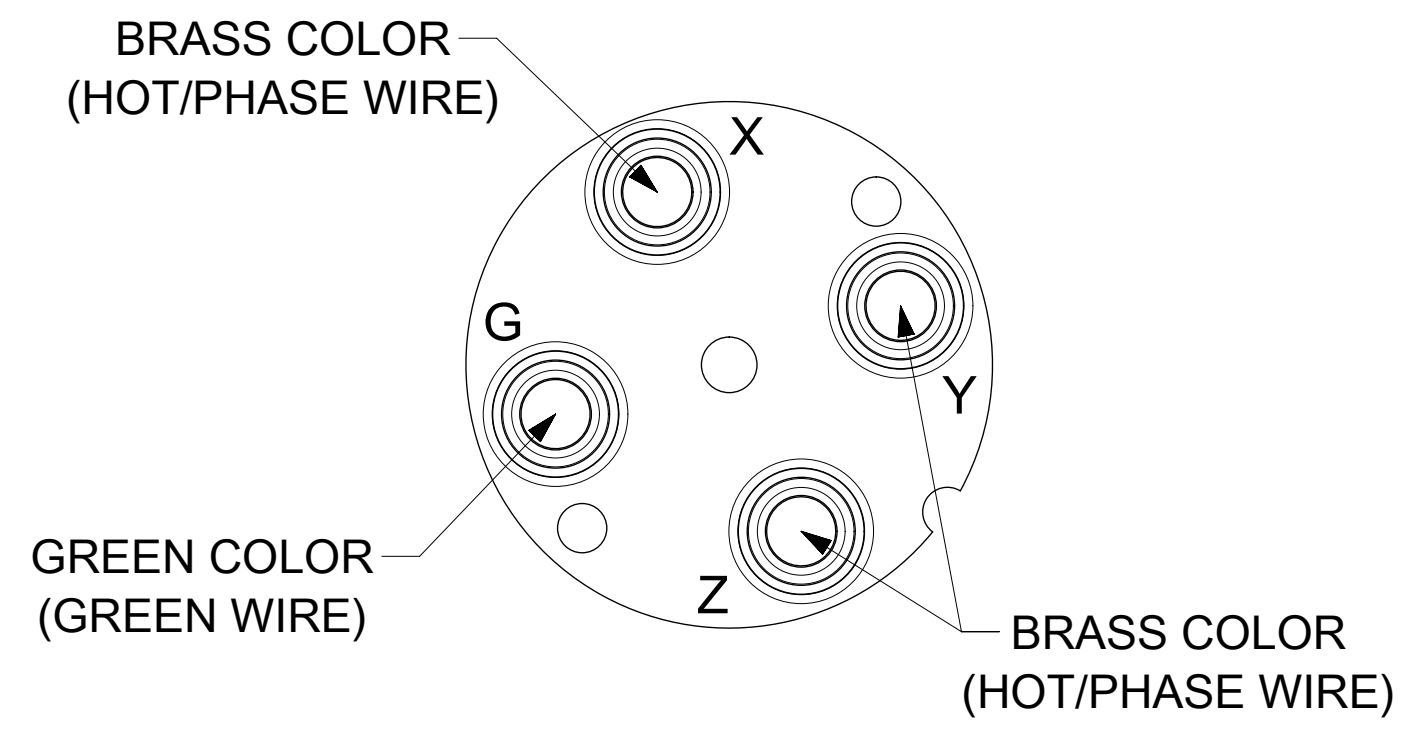
MATERIAL NO.	PART NO.	COLOR
130145-0058	28T77	BLACK
130145-0059	28T77YL	YELLOW



FACE VIEW



WIRING TERMINATION



ITEM NO.	DESCRIPTIONS	MATERIAL	QTY.
1	BLADES	BRASS, NICKEL PLATED	3
2	RETAINING SCREWS	STAINLESS STEEL	3
3	TERMINAL SCREWS/CLAMP ASSEMBLY	BRASS, ZINC PLATED	3
4	INSERT	NYLON	1
5	TERMINAL COVER	POLYCARBONATE	1
6	HOUSING	NYLON	1
7	CLAMP CORD MALE	NYLON	1
8	CLAMP CORD INSERT	NYLON	1
9	CLAMP CORD FEMALE	NYLON	1
10	RETAINING SCREWS	STAINLESS STEEL	2

SYMBOLS DIMENSION UNITS: INCH [MM] SCALE: NTS CURRENT REV DESC: NEW RELEASE		<b>molex</b> SAFEWAY PLUG TURNEX 3P4W L17-30	
GENERAL TOLERANCES (UNLESS SPECIFIED) 4 PLACES ± 3 PLACES ± 2 PLACES ± 1 PLACE ± 0 PLACES ±		EC NO: 627765 DRWN: DSOPPIN 2019/04/11 CHK'D: VASUTHKARP 2020/01/17 APPR: HKNEELAND 2020/06/01	
INITIAL REVISION: DRWN: DSOPPIN 2019/04/11 APPR: HKNEELAND 2020/06/01		PRODUCT CUSTOMER DRAWING DOCUMENT NUMBER: 1301450058 DOC TYPE: PSD DOC PART: 000 REVISION: A	
DRAFT WHERE APPLICABLE MUST REMAIN WITHIN DIMENSIONS		THIRD ANGLE PROJECTION DRAWING SERIES: C-SIZE 130145 MATERIAL NUMBER: SEE TABLE CUSTOMER: GENERAL MARKET SHEET NUMBER: 1 OF 1	