

**TABLE 1**

MOLEX P/N	ENG. NO.	CABLE LENGTH+TOL. (mm)	LED
1202470001	BEB401P-FBW-05	5000	YES
1202470002	BEB401P-FBW-10	10000	YES
1202470003	BEB401P-FBW-15	15000	YES
1202470004	BEB401P-FBW-20	20000	YES
1202470028	BEB4010-FBW-05	5000	NO
1202470029	BEB4010-FBW-10	10000	NO
1202470030	BEB4010-FBW-15	15000	NO

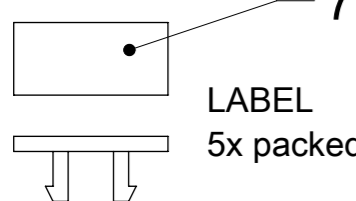
**TABLE 3**

CABLE LENGTH TOLERANCES	
LENGTH	TOLERANCE
0m-1m	+40 mm
>1m-5m	+60 mm
>5m-10m	+80 mm
>10m-20m	+140 mm
>20m-30m	+160 mm
>30m	+1% length

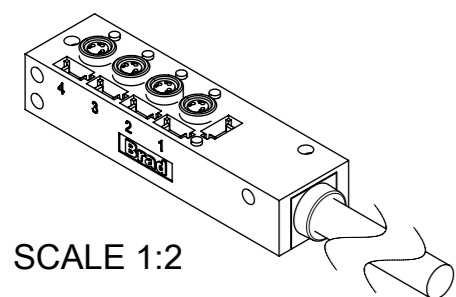
**TABLE 2**

ITEM	COMPONENT	MATERIAL	FINISH
1	INSERT	TPU	BLACK
2	CONTACT SOCKET	COPPER ALLOY	GOLD OVER NICKEL
3	O-RING	VITON	RED
4	RECEPTACLE SHELL	BRASS	NICKEL PLATED
5	HOUSING	PBT	BLACK
6	CABLE	TPU	BLACK
7	LABEL	ABS	WHITE
8	LABEL ADHESIVE	PE	WHITE
9	CABLE PLATE	PBT	BLACK
10	LED	NO LED = PA	BLACK
		WITH LED = PA	TRANSPARENT
11	RESIN	EPOXY	TRANSPARENT

SCALE 2:1



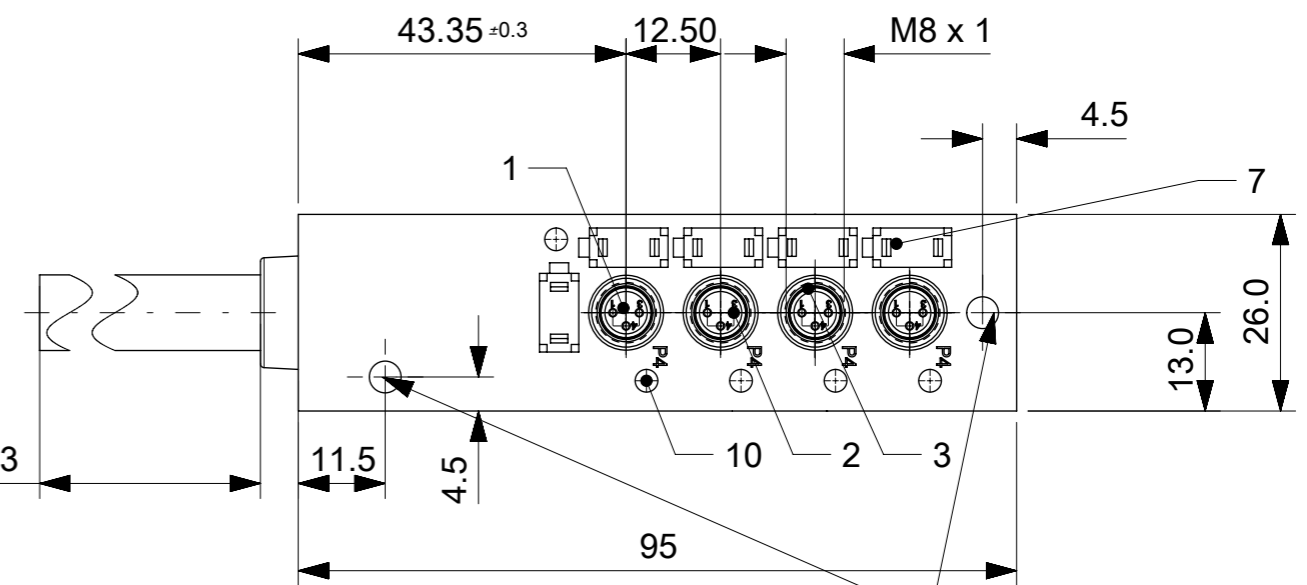
5x packed in a bag.



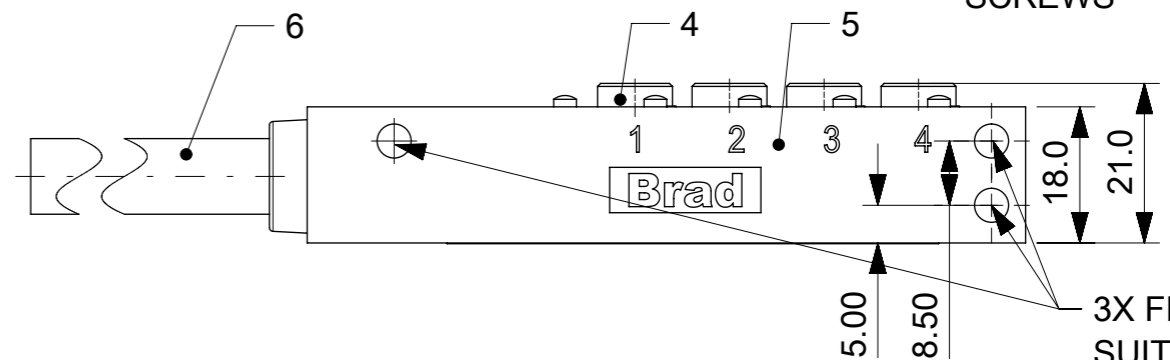
**GENERAL CHARACTERISTICS:**

NOMINAL VOLTAGE: 24 V DC  
 RATED CURRENT: 2 A PER PORT / 6 A MAX: TOTAL  
 IP DEGREE OF PROTECTION: IP 68  
 TEMPERATURE RANGE: -25°C to + 85°C

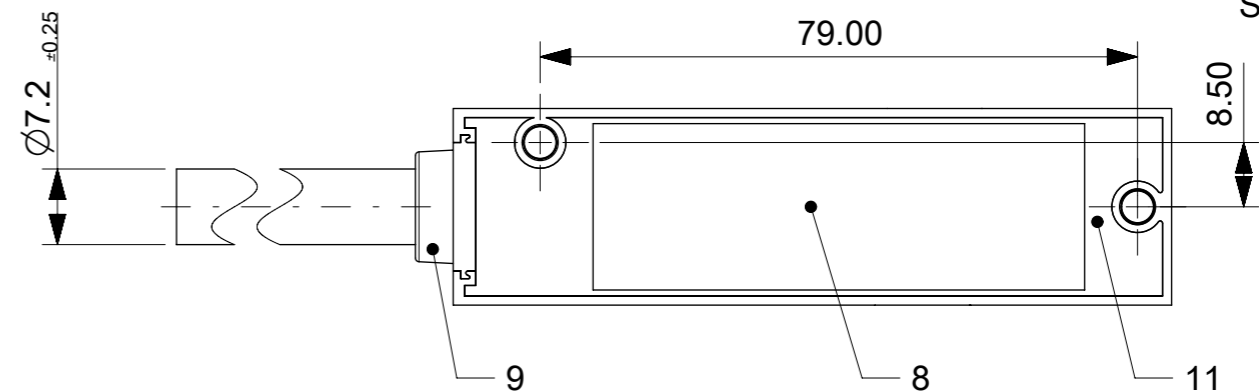
L= SEE TABLE 1+3



2X FIXING HOLES SUITABLE FOR M4 SCREWS



3X FIXING HOLES SUITABLE FOR M4 SCREWS



SYMBOLS		THIS DRAWING CONTAINS INFORMATION THAT IS PROPRIETARY TO MOLEX ELECTRONIC TECHNOLOGIES, LLC AND SHOULD NOT BE USED WITHOUT WRITTEN PERMISSION	
DIMENSION UNITS	SCALE	CURRENT REV DESC: CABLE LENGTH TOLERANCES ADDED	
mm	1:1		
GENERAL TOLERANCES (UNLESS SPECIFIED)			
ANGULAR TOL	± °		
4 PLACES	±		
3 PLACES	±		
2 PLACES	± 0.2		
1 PLACE	± 0.3		
0 PLACES	± 0.5		
DRAFT WHERE APPLICABLE MUST REMAIN WITHIN DIMENSIONS			
THIRD ANGLE PROJECTION		DRAWING	SERIES
		A3-SIZE	120247
EC NO: 631956		DRWN: RSCHEIBER 2020/02/11	
CHK'D: RSILLER 2020/02/12		APPR: RSILLER 2020/02/12	
INITIAL REVISION:		DRWN: ULETENMEIER 2015/01/20	
APPR: RSILLER 2015/04/22			
DOCUMENT NUMBER		DOC TYPE	DOC PART
1202470001		PSD	000
REVISION		B1	
MATERIAL NUMBER		CUSTOMER	
SEE TABLE 1		GENERAL MARKET	
SHEET NUMBER		1 OF 2	

