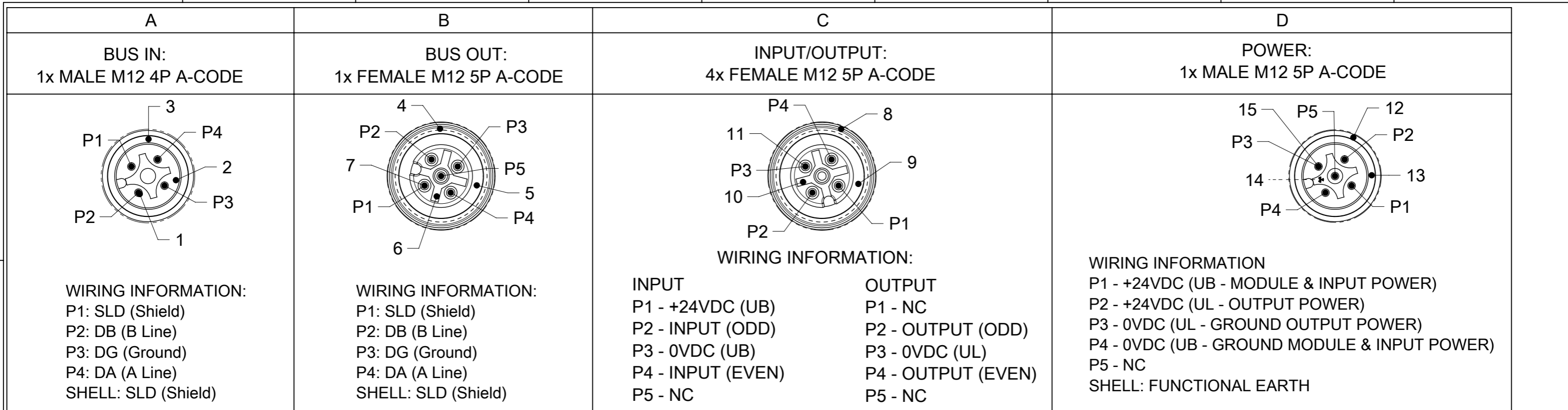


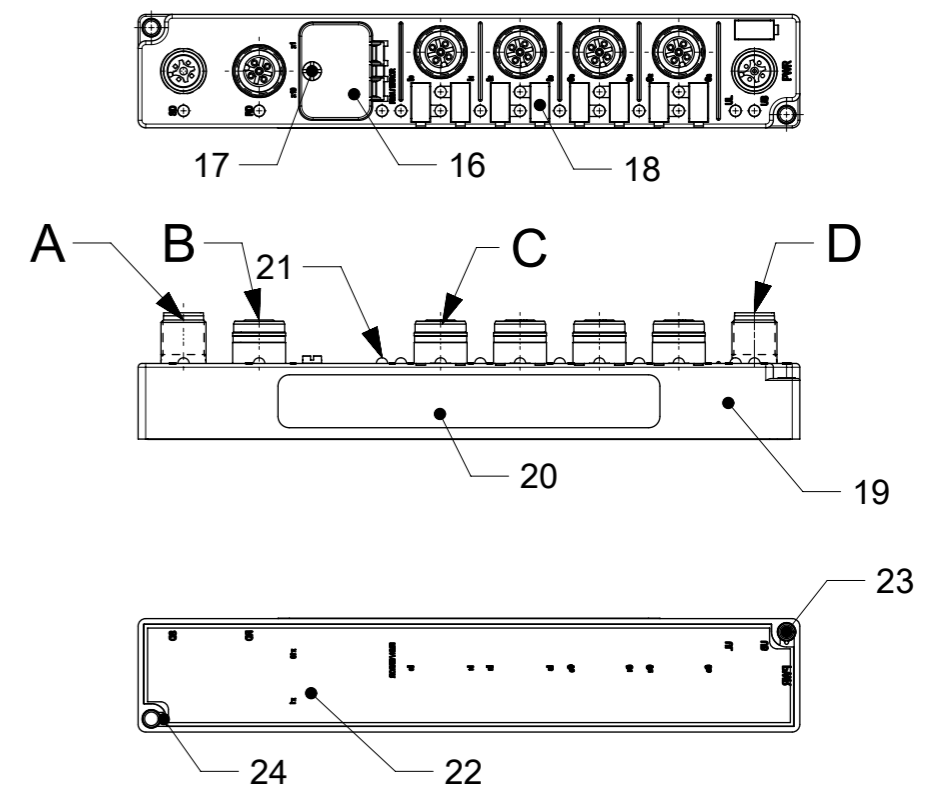
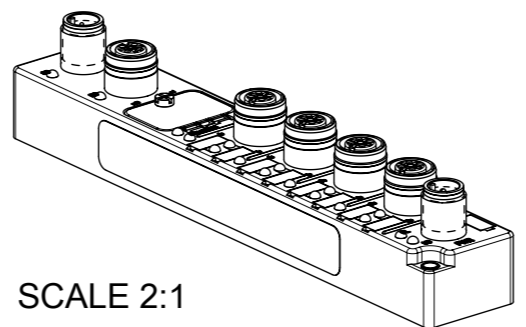
2x FIXING HOLES
SUITABLE FOR M3
SCREWS

THIS DRAWING CONTAINS INFORMATION THAT IS PROPRIETARY TO MOLEX ELECTRONIC TECHNOLOGIES, LLC AND SHOULD NOT BE USED WITHOUT WRITTEN PERMISSION											
QUALITY SYMBOLS ▽A = 0 ▽E = 0 ▽F = 0 ▼ = 0 ▽C = 0 ⊗ = 0 ■ = 0 ▽ = 0	EC NO:	2016/12/12	GENERAL TOLERANCES (UNLESS SPECIFIED)		DIMENSION UNITS	SCALE					
	DRWN:	ULETTENMEIER	ANGULAR TOL ± °		MM	1:1					
	CHK'D:	RSILLER	4 PLACES	±	DRWN BY	DATE	DBO CC LINK 30 MM M12 5P MA AC U12 5P 5PT FE AC M12 4P MA AC				
	APPR:	RSILLER	3 PLACES	±	ULETTENMEIER	2016/12/12					
	REV	A	1 PLACE	± 0.3	CHK'D BY	DATE	PRODUCT CUSTOMER DRAWING				
		0 PLACES	± 0.5	RSILLER	2017/01/11						
DRAFT WHERE APPLICABLE MUST REMAIN WITHIN DIMENSIONS			DRAWING SIZE		THIRD ANGLE PROJECTION		SERIES	MATERIAL NUMBER	CUSTOMER		
			A3				112101	SEE TABLE 1	GENERAL MARKET		
							DOCUMENT NUMBER	DOC TYPE	DOC PART	SHEET NUMBER	
							1121015006	PSD	000	1 OF 5	



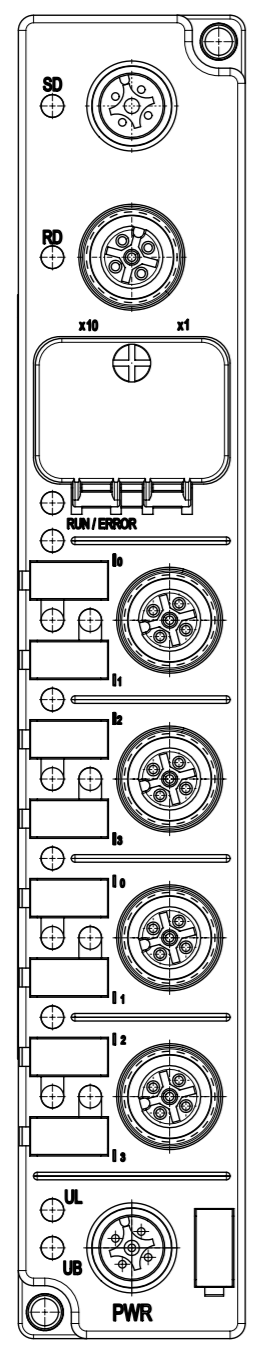
BILL OF MATERIAL

ITEM	DESCRIPTION	MATERIAL	FINISH
1	CONTACT	COPPER ALLOY	GOLD OVER NICKEL
2	INSERT	TPU	BLACK
3	SHELL	BRASS	NICKEL PLATET
4	SHELL	BRASS	NICKEL PLATET
5	GASKET	FPM	BLUE
6	INSERT	TPU	BLACK
7	CONTACT	COPPER ALLOY	GOLD OVER NICKEL
8	SHELL	BRASS	NICKEL PLATET
9	GASKET	FPM	BLUE
10	INSERT	PUR	BLACK
11	CONTACT	COPPER ALLOY	GOLD OVER NICKEL
12	SHELL	BRASS	NICKEL PLATET
13	GASKET	FPM	BLUE
14	INSERT	PUR	BLACK
15	CONTACT	BRASS	NICKEL PLATET
16	WINDOW	PC	TRANSPARENT
17	SCREW	V2A	V2A
18	LABEL	PC	WHITE
19	HOUSING	PBT	BLACK
20	LABEL	PVC	YELLOW
21	LED	PA	TRANSPARENT
22	LABEL	PVC	WHITE
23	SLEEVE	BRASS	NICKEL
24	RESIN	EPOXY	TRANSPARENT



THIS DRAWING CONTAINS INFORMATION THAT IS PROPRIETARY TO MOLEX ELECTRONIC TECHNOLOGIES, LLC AND SHOULD NOT BE USED WITHOUT WRITTEN PERMISSION

QUALITY SYMBOLS ▽A = 0 ▽E = 0 ▽F = 0 ▼ = 0 ▽C = 0 ⊗ = 0 ■ = 0 ▽ = 0	GENERAL TOLERANCES (UNLESS SPECIFIED) ANGULAR TOL ± ° 4 PLACES ± 3 PLACES ± 2 PLACES ± 1 PLACE ± 0.3 0 PLACES ± 0.5 DRAFT WHERE APPLICABLE MUST REMAIN WITHIN DIMENSIONS	DIMENSION UNITS MM	SCALE 1:1				
		DRWN BY ULETTENMEIER	DATE 2016/12/12		PRODUCT CUSTOMER DRAWING DBO CC LINK 30 MM M12 5P MA AC U12 5P 5PT FE AC M12 4P MA AC		
		CHK'D BY RSILLER	DATE 2017/01/11			SERIES 112101	MATERIAL NUMBER SEE TABLE 1
		EC NO: 112126 DRWN: ULETTENMEIER CHK'D: REV APPR: RSILLER	DRAWING SIZE A3		THIRD ANGLE PROJECTION 	DOCUMENT NUMBER 1121015006	DOC TYPE PSD

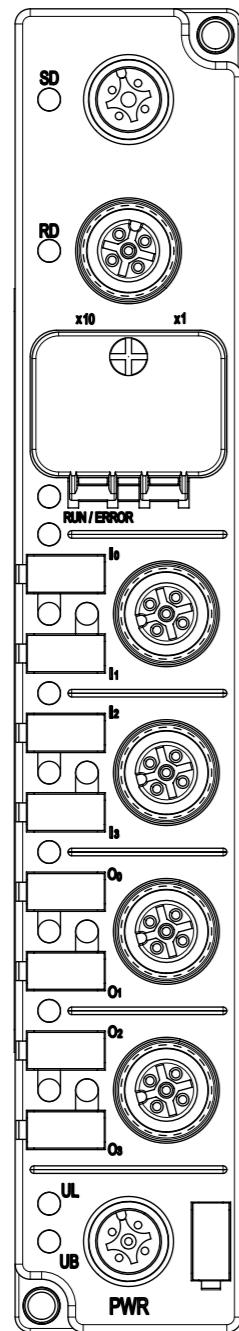


8 IN PRINTING

TABLE 1 8IN PRINTING					
		CC LINK			
POWER TYPE	INPUT / OUTPUT		ENG.NO.	MOLEX P/N	3D MODEL NO.
M12 MALE 5P	PNP	8I	TBDCC-480P-88U	1121015006	1121015006 (PDM)
	NPN	8I	TBDCC-480N-88U	1121015008	

THIS DRAWING CONTAINS INFORMATION THAT IS PROPRIETARY TO MOLEX ELECTRONIC TECHNOLOGIES, LLC AND SHOULD NOT BE USED WITHOUT WRITTEN PERMISSION													
QUALITY SYMBOLS ▽A = 0 ▽E = 0 ▽F = 0 ▼ = 0 ▽C = 0 ⊗ = 0 ■ = 0 ▽ = 0	EC NO: 112126 DRWN: ULETTENMEIER CHK'D: APPR: RSILLER	2016/12/12 2017/01/11	GENERAL TOLERANCES (UNLESS SPECIFIED)		DIMENSION UNITS	SCALE							
			ANGULAR TOL ± °		MM	1:1							
			4 PLACES ±	DRWN BY	DATE	DBO CC LINK 30 MM M12 5P MA AC U12 5P 5PT FE AC M12 4P MA AC							
			3 PLACES ±	ULETTENMEIER	2016/12/12	CHK'D BY	DATE	PRODUCT CUSTOMER DRAWING					
			2 PLACES ±	1 PLACE ± 0.3	0 PLACES ± 0.5	APPR BY	DATE	SERIES MATERIAL NUMBER CUSTOMER					
			DRAFT WHERE APPLICABLE MUST REMAIN WITHIN DIMENSIONS			RSILLER	2017/01/11	112101	SEE TABLE 1	GENERAL MARKET			
						DRAWING SIZE	THIRD ANGLE PROJECTION	DOCUMENT NUMBER		DOC TYPE	DOC PART	SHEET NUMBER	
						A3		1121015006		PSD	000	3 OF 5	

TABLE 1 4IN / 4OUT PRINTING				
CC LINK				3D MODEL NO.
POWER TYPE	INPUT / OUTPUT		ENG.NO.	
M12 MALE 5P	PNP	4I / 4O	TBDCC-444P-88U-G	1121015007
		4I (NPN) / 4O (PNP)	TBDCC-444N-88U-G	1121015009



4 IN 4 OUT PRINTING

QUALITY SYMBOLS 	THIS DRAWING CONTAINS INFORMATION THAT IS PROPRIETARY TO MOLEX ELECTRONIC TECHNOLOGIES, LLC AND SHOULD NOT BE USED WITHOUT WRITTEN PERMISSION										
	EC NO: 112126 DRWN: ULETTENMEIER CHK'D: REV APPR: RSILLER	2016/12/12	2017/01/11	GENERAL TOLERANCES (UNLESS SPECIFIED)		DIMENSION UNITS	SCALE				
		ANGULAR TOL ± °		MM		DRWN BY	DATE				
		4 PLACES ±		ULETTENMEIER	2016/12/12	CHK'D BY	DATE	DBO CC LINK 30 MM M12 5P MA AC U12 5P 5PT FE AC M12 4P MA AC			
		3 PLACES ±									
		2 PLACES ±				APPR BY	DATE	PRODUCT CUSTOMER DRAWING			
	1 PLACE ± 0.3		RSILLER	2017/01/11							
	0 PLACES ± 0.5				DRAWING SIZE	THIRD ANGLE PROJECTION	SERIES	MATERIAL NUMBER	CUSTOMER		
	DRAFT WHERE APPLICABLE MUST REMAIN WITHIN DIMENSIONS		A3			112101		GENERAL MARKET			
					DOCUMENT NUMBER	DOC TYPE	DOC PART	SHEET NUMBER			
				1121015006	PSD	000	4 OF 5				