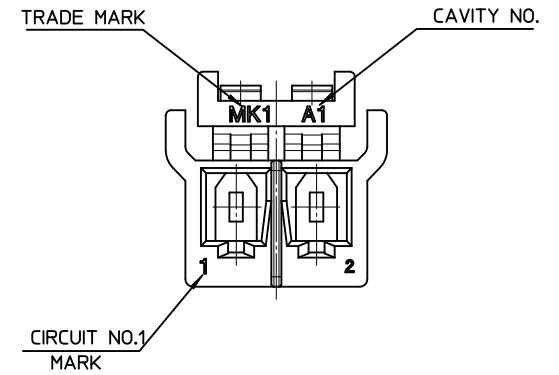
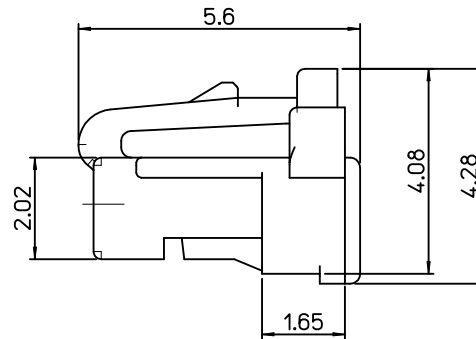
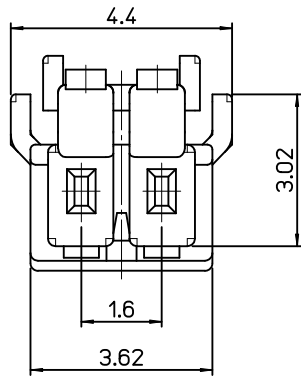
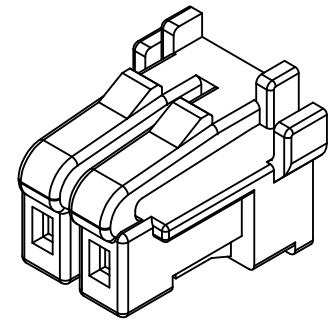


NOTES.

1. MATERIALS
LIQUID CRYSTAL POLYMER(LCP), GLASS FILLED, UL94V-0
COLOR OF NATURAL
2. MATED WITH : 104050-0210
3. APPLICABLE TERMINAL : 501334-****
4. PRODUCT SPECIFICATION : PS-104050-001



| | | | | | | | | | | | |
|--|-------------------|-------------------------------|---|--|----------------------------|---|------------------------------------|------------------------|------------------------|----------------------|--|
| NEW RELEASED EC NO: KOR2010-0105 DRWN: HPARK01 2010/10/14 CHKD: WY. YANG 2010/10/15 APPR: YUNSIKKIM 2010/10/15 | DESCRIPTION A1 | QUALITY SYMBOLS ▽=0 ▽=0 | GENERAL TOLERANCES (UNLESS SPECIFIED) | | DIMENSION STYLE MM ONLY | | SCALE | DESIGN UNITS METRIC | THIRD ANGLE PROJECTION | | |
| | | | 4 PLACES ± --- ± --- 3 PLACES ± --- ± --- 2 PLACES ± 0.15 ± --- 1 PLACE ± 0.25 ± --- | mm INCH ± --- ± --- ± 0.15 ± --- ± 0.25 ± --- | DRAWN BY SK. HAN | DATE 2009/07/07 | TITLE 1.6 W-T-B CONN HOUSING-2P | | | | |
| | | ANGULAR ± 3 ° | | DRAFT WHERE APPLICABLE MUST REMAIN WITHIN DIMENSIONS | | APPROVED BY WY. YANG | DATE 2009/07/07 | MOLEX INCORPORATED | | SHEET NO. 1 OF 01 | |
| | | MATERIAL NO. 1040510290 | | DOCUMENT NO. SD-104051-001 | | THIS DRAWING CONTAINS INFORMATION THAT IS PROPRIETARY TO MOLEX INCORPORATED AND SHOULD NOT BE USED WITHOUT WRITTEN PERMISSION | | | | | |