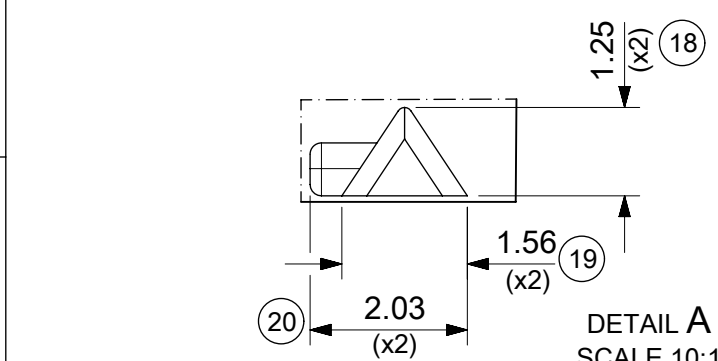
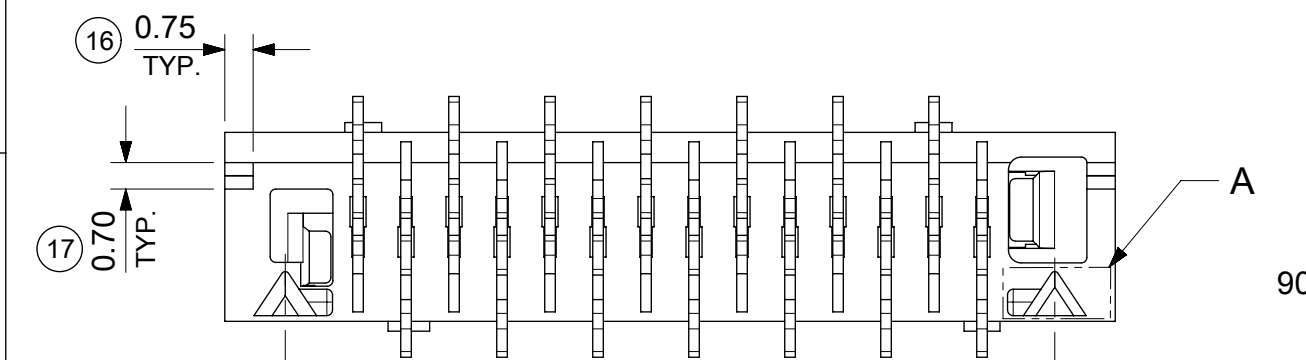
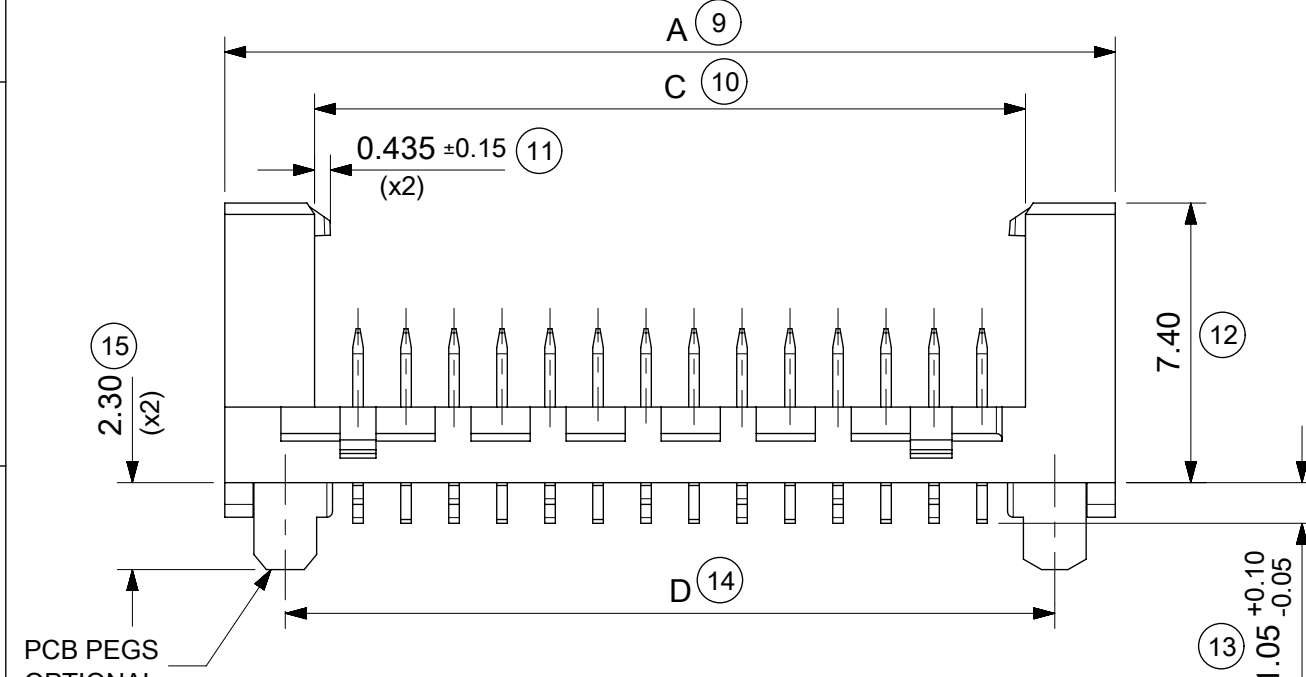


14 CIRCUIT SHOWN FOR ILLUSTRATION ONLY.



PART NO.	NUMBER OF CKTS	DIMN. A	DIMN. B	DIMN. C	DIMN. D
90816-**04	04	10.86	3.81	6.11	7.66
90816-**06	06	13.40	6.35	8.65	10.20
90816-**08	08	15.94	8.89	11.19	12.74
90816-**10	10	18.48	11.43	13.73	15.28
90816-**12	12	21.02	13.97	16.27	17.82
90816-**14	14	23.56	16.51	18.81	20.36
90816-**16	16	26.10	19.05	21.35	22.90
90816-**18	18	28.64	21.59	23.89	25.44
90816-**20	20	31.18	24.13	26.43	27.98
90816-**22	22	33.72	26.67	28.97	30.52
90816-**24	24	36.26	29.21	31.51	33.06
90816-**26	26	38.80	31.75	34.05	35.60

SEE NOTE-7

NOTES:

- MATERIAL  
HOUSING: PPA, GLASS-FILLED, COLOUR: BLACK, UL 94-HB.  
TERMINAL: BRASS
  - FINISHES: TERMINAL  
Gold : UNDERPLATED 1.27µm MIN NICKEL  
3-5µm TIN SELECTIVE  
0.76µm MIN. SELECTIVE GOLD  
TIN: 3 MICROMETRE MINIMUM OVER NICKEL UNDERPLATE.
  - PRODUCT SPECIFICATION: PS-99020-0011
  - PACKAGING SPECIFICATION: FOR TAPE AND REEL SEE: PK-90816-006  
FOR TUBE SEE: PK-90816-007
  - MATES WITH MOLEX 90327 PART SERIES.
  - ALL SMT TAILS TO LIE WITHIN A COPLANARITY BAND OF 0 - 0.10 MICROMETRE REF. FROM EACH OTHER.
  - 4 CIRCUIT PART NOT AVAILABLE IN TAPE AND REEL.
- LAST INSPECTION NUMBER USED: 20

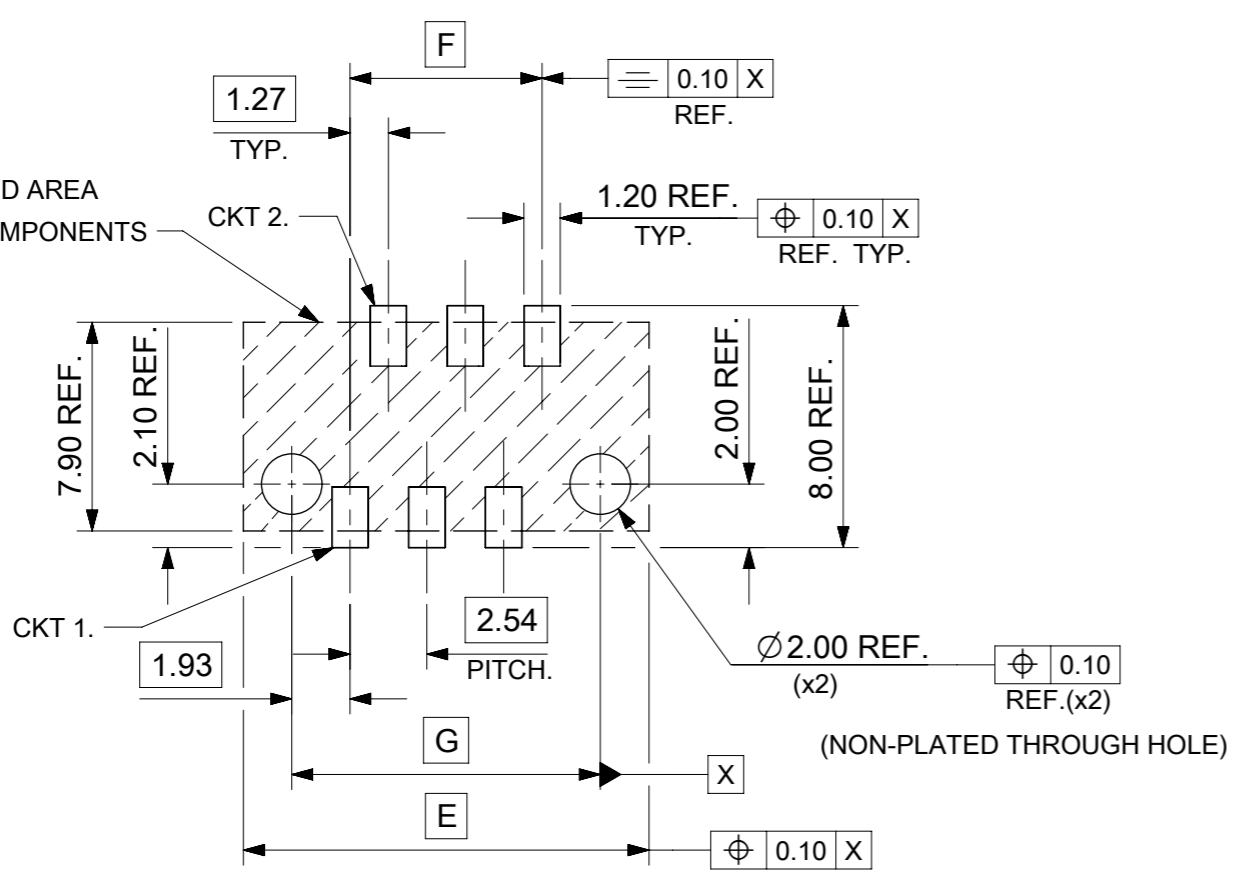
90816 - \*\* \*\*

CIRCUIT SIZE.

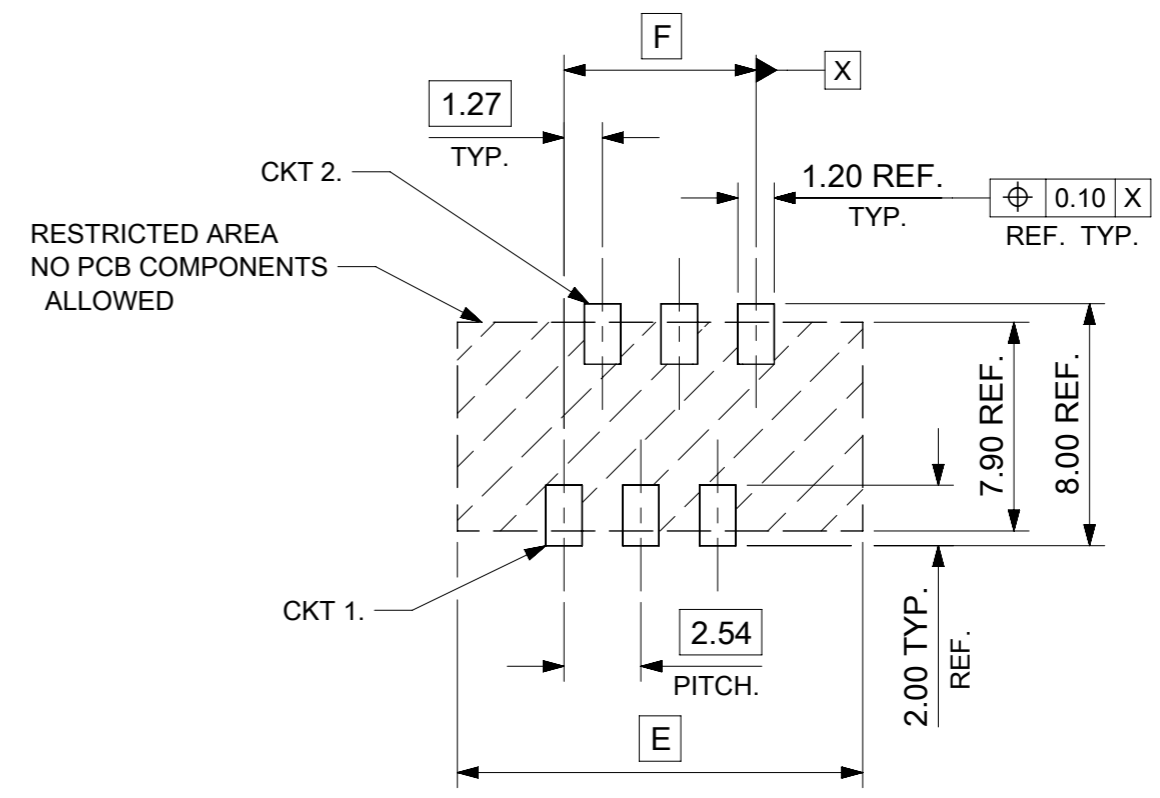
	PCB PEGS	TUBE PACKED	TAPE & REEL PACKED
0	YES	YES	NO
2	YES	NO	YES
3	NO	YES	NO
5	NO	NO	YES

0 = TIN VERSION  
3 = 0.76µm GOLD PLATING

FUNCTIONAL SYMBOLS		THIS DRAWING CONTAINS INFORMATION THAT IS PROPRIETARY TO MOLEX ELECTRONIC TECHNOLOGIES, LLC AND SHOULD NOT BE USED WITHOUT WRITTEN PERMISSION		CURRENT REV DESC: CAD MIGRATION	
$\nabla$	0	mm	5:1		
$\nabla$	0	GENERAL TOLERANCES (UNLESS SPECIFIED)			
$\nabla$	0	ANGULAR TOL ± 2.0°			
DIVISIONAL SYMBOLS		3 PLACES	±		
		2 PLACES	± 0.25		
		1 PLACE	± 0.35		
		0 PLACES	±		
DRAFT WHERE APPLICABLE MUST REMAIN WITHIN DIMENSIONS		THIRD ANGLE PROJECTION	DRAWING	SERIES	MATERIAL NUMBER
			A3	90816	SEE CHART
		EC NO: 738955		2023/02/02	
		DRWN: GOWTHP		2023/02/16	
		CHK'D: GOWTHP		2023/02/20	
		APPR: ISHWARG		2023/02/20	
		INITIAL REVISION:			
		DRWN: DBYRNES		2008/08/16	
		APPR: EFOAN		2010/11/04	
		CUSTOMER		GENERAL MARKET	
		SHEET NUMBER		1 OF 2	



RECOMMENDED PCB THICKNESS 1.60±0.14  
 PCB LAYOUT FOR CLEARANCE FIT WITH PCB PEGS  
 HEADER VERSIONS 90816-\*0\*\*/\*2\*\*  
 VIEWED FROM COMPONENT SIDE  
 6CKT PART SHOWN FOR REFERENCE



PCB LAYOUT WITHOUT PCB PEGS  
 HEADER VERSIONS 90816-\*3\*\*/\*5\*\*  
 VIEWED FROM COMPONENT SIDE  
 6CKT PART SHOWN FOR REFERENCE

90816-**26	26	38.80	31.75	35.60
90816-**24	24	36.26	29.21	33.06
90816-**22	22	33.72	26.67	30.52
90816-**20	20	31.18	24.13	27.98
90816-**18	18	28.64	21.59	25.44
90816-**16	16	26.10	19.05	22.90
90816-**14	14	23.56	16.51	20.36
90816-**12	12	21.02	13.97	17.82
90816-**10	10	18.48	11.43	15.28
90816-**08	8	15.94	8.89	12.74
90816-**06	6	13.40	6.35	10.20
90816-**04	4	10.86	3.81	7.66
PART NO.	NUMBER OF CKTS	DIM. E	DIM. F	DIM. G

DOCUMENT STATUS P1 RELEASE DATE 2023/02/20 05:04:35

FUNCTIONAL SYMBOLS	THIS DRAWING CONTAINS INFORMATION THAT IS PROPRIETARY TO MOLEX ELECTRONIC TECHNOLOGIES, LLC AND SHOULD NOT BE USED WITHOUT WRITTEN PERMISSION	CURRENT REV DESC: CAD MIGRATION		<b>molex</b>
	DIMENSION UNITS: <b>mm</b> SCALE: <b>5:1</b> GENERAL TOLERANCES (UNLESS SPECIFIED) ANGULAR TOL ± 2.0° 4 PLACES ± 3 PLACES ± 2 PLACES ± 0.25 1 PLACE ± 0.35 0 PLACES ±	EC NO: 738955 DRWN: GOWTHP CHK'D: GOWTHP APPR: ISHWARG INITIAL REVISION: DRWN: DBYRNES APPR: EFOLAN		
DIVISIONAL SYMBOLS	DRAFT WHERE APPLICABLE MUST REMAIN WITHIN DIMENSIONS THIRD ANGLE PROJECTION DRAWING: <b>A3-SIZE</b> SERIES: <b>90816</b>		DOCUMENT NUMBER: <b>SD-90816-001</b> DOC TYPE: PSD DOC PART: 001 REVISION: G1	PRODUCT CUSTOMER DRAWING MATERIAL NUMBER: SEE SHEET 1 CUSTOMER: GENERAL MARKET SHEET NUMBER: 2 OF 2