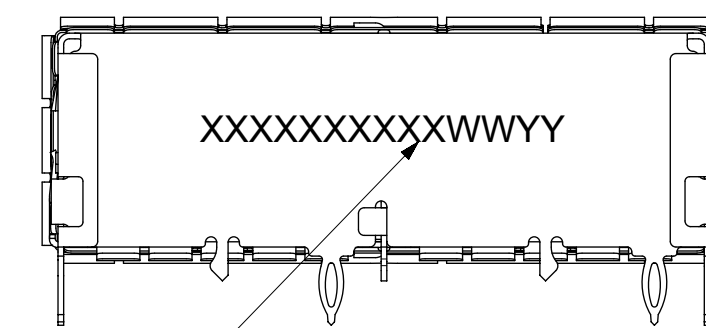
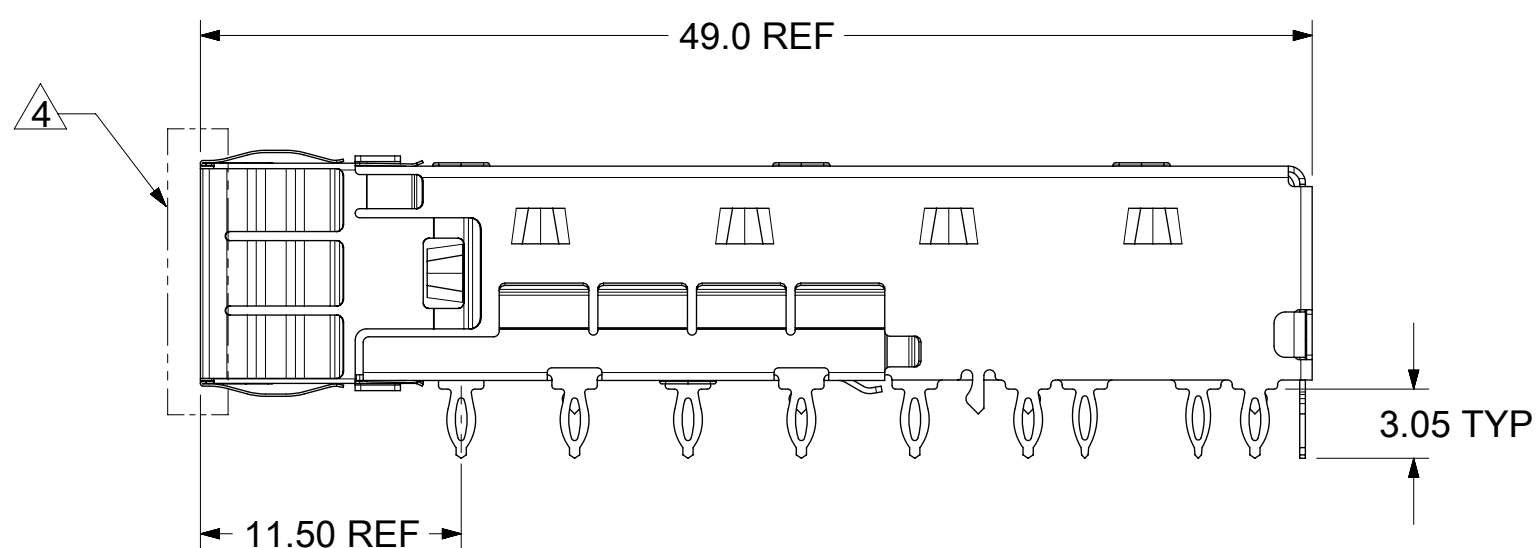
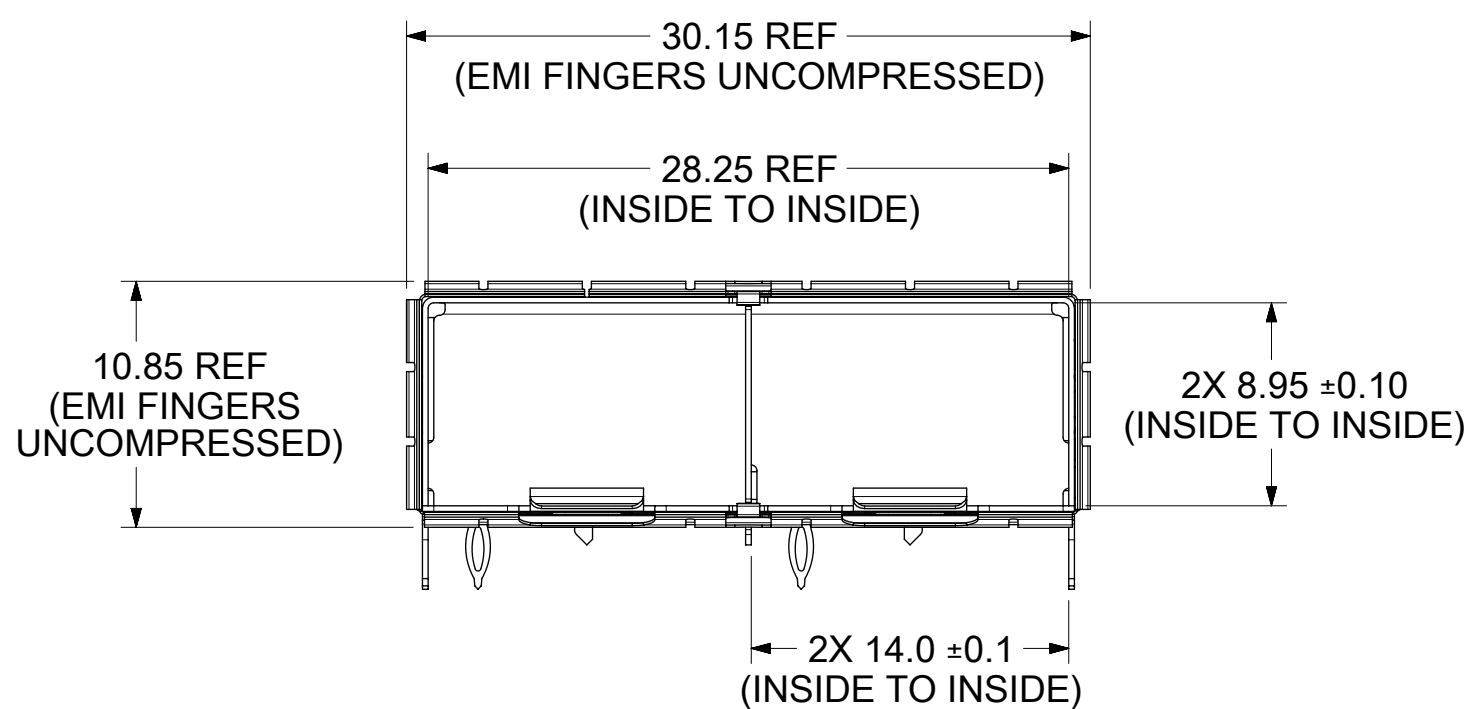
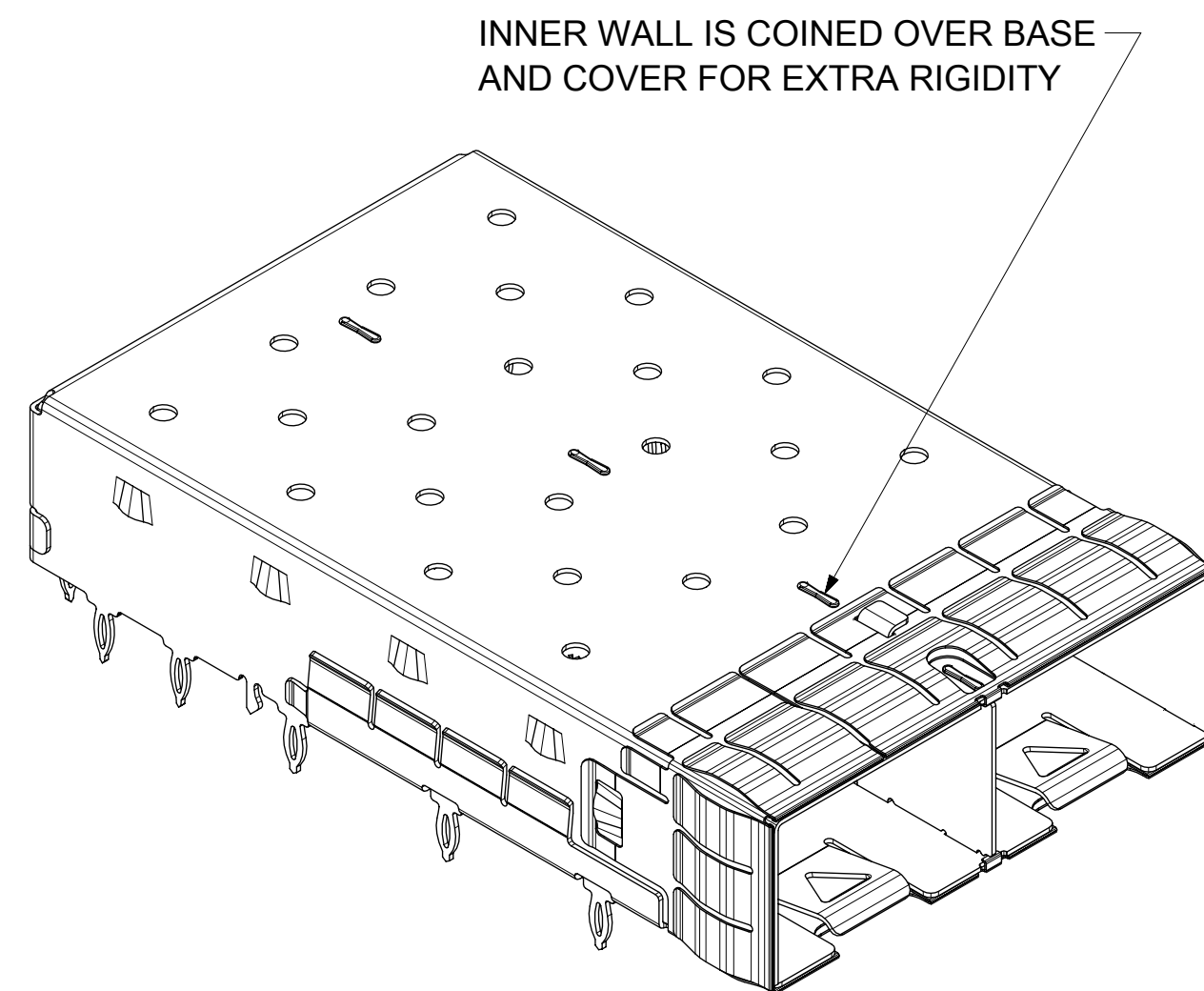
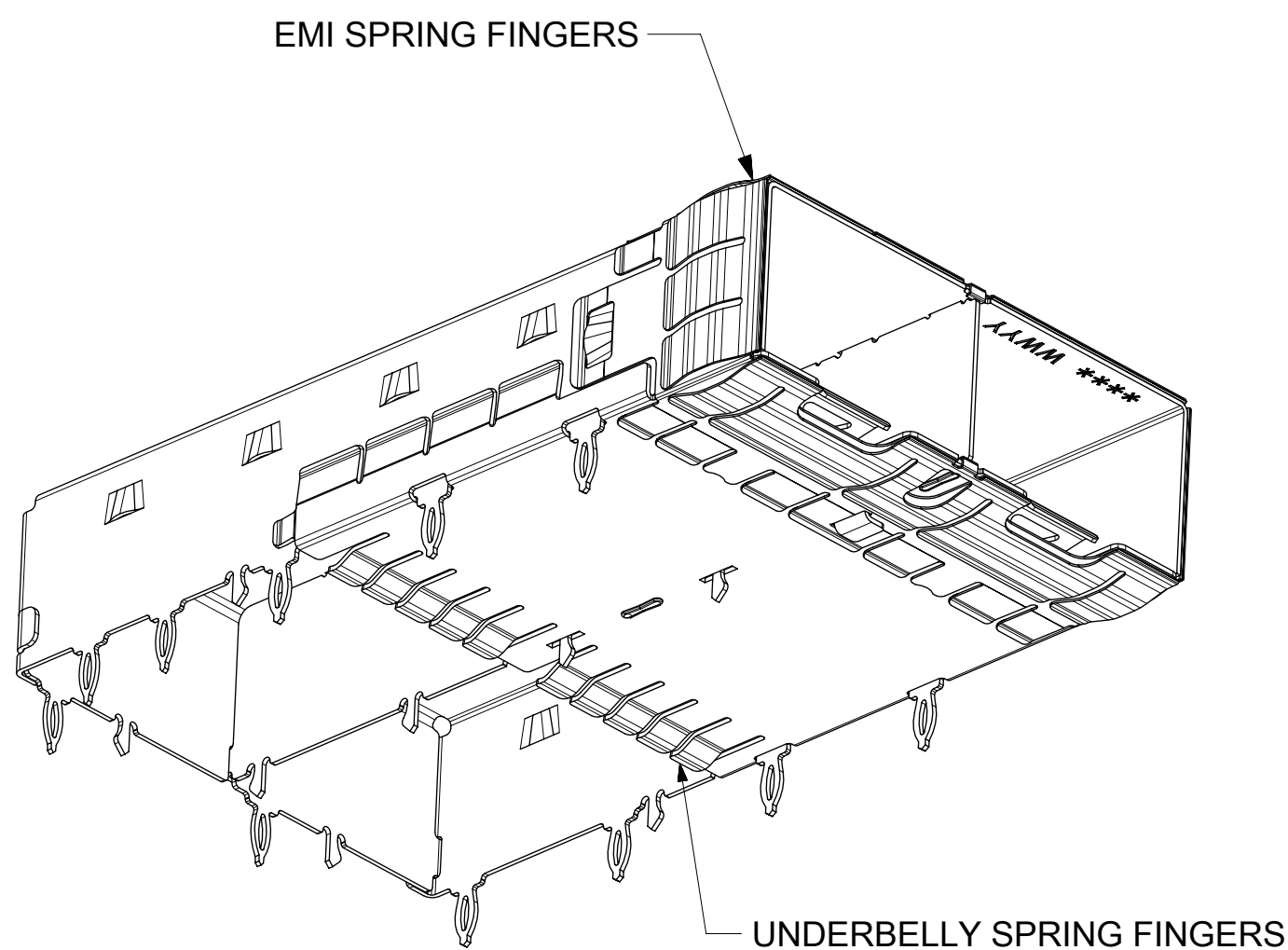
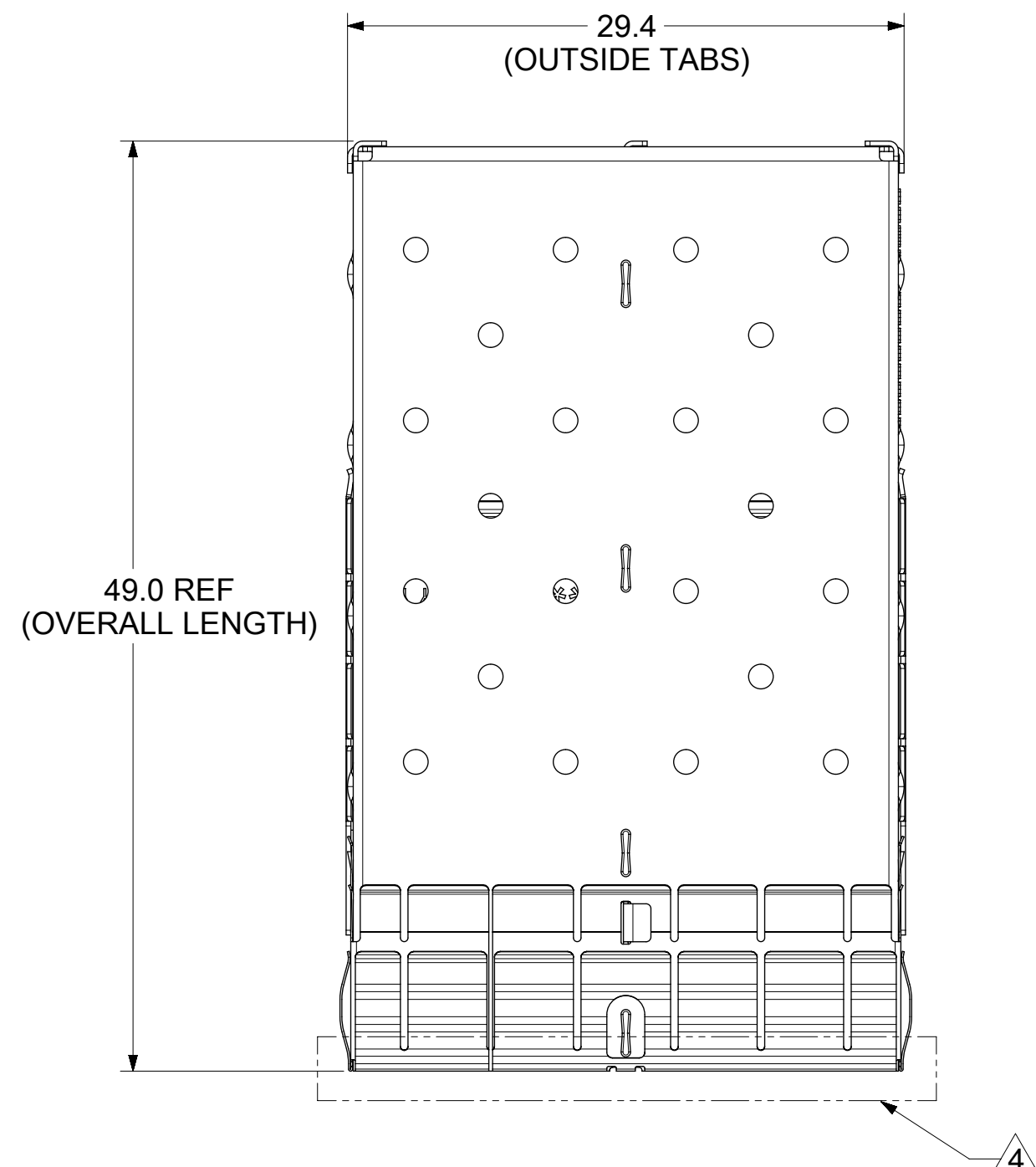


BASE CAGE DETAILS

747548220



PN/DATE CODE TO BE PRINTED ON THE BACK OF COMPLETED CAGE ASSEMBLY APPROXIMATELY AS SHOWN. FOR 74754 SERIES CAGE (747540247 NO NEED PRINTED)

NOTES:

- MATERIAL:
CAGE: 0.25mm THICK COPPER ALLOY, NICKEL PLATED.
SPRING FINGERS: STAINLESS STEEL.
HEATSINK: ALUMINUM, NICKEL PLATED.
HEATSINK SPRING CLIP: STAINLESS STEEL.
- PRESS FIT LEGS 3.05mm LONG
- PORTS ARE DESIGNED FOR SFP+ TRANSCEIVERS AND ARE COMPATIBLE WITH SFP TRANSCEIVERS. THE TOP SURFACE OF THE MODULE MUST BE FLAT (NO PRODUCT LABEL RECESS) AND THERMALLY CONDUCTIVE TO FUNCTION OPTIMALLY.
- WELD SPOT MAY SHOW SLIGHT MATERIAL DISCOLORATION.
- NO RoHS EXEMPTIONS.
- CUSTOM HEATSINKS AVAILABLE UPON REQUEST.

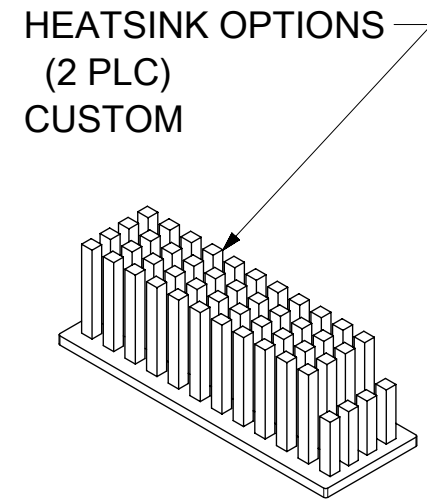
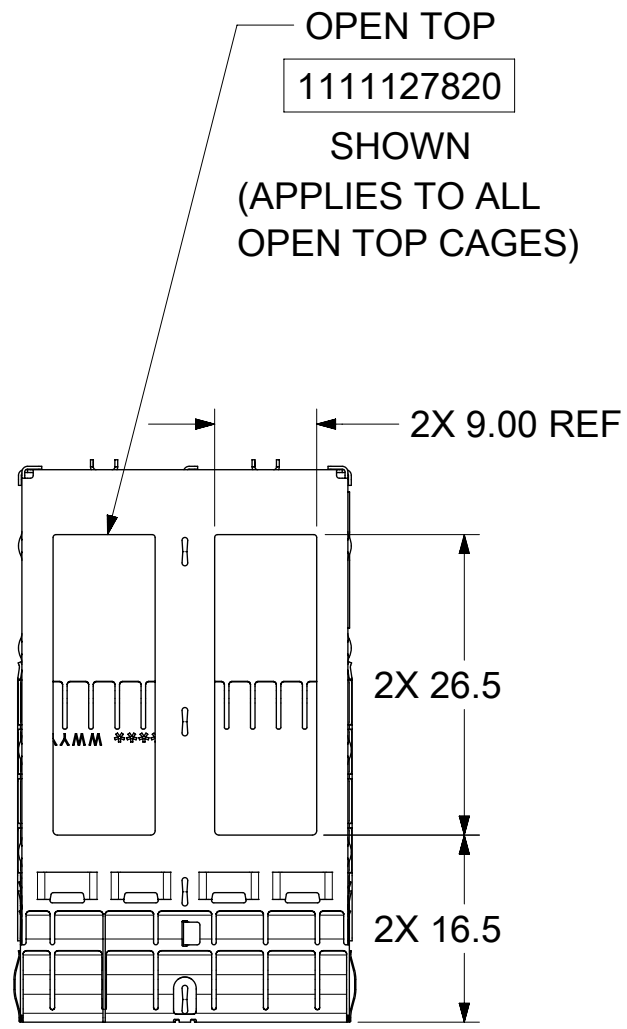
WEEK/YEAR DATE CODE TABLE

WW	WEEK OF THE YEAR 01 THRU 52 (EXAMPLE:01= FIRST WEEK OF YEAR 52=LAST WEEK OF YEAR)
YY	23, 24, 25 ETC. EXAMPLE: YEAR 2023 = 23

FUNCTIONAL SYMBOLS	THIS DRAWING CONTAINS INFORMATION THAT IS PROPRIETARY TO MOLEX ELECTRONIC TECHNOLOGIES, LLC AND SHOULD NOT BE USED WITHOUT WRITTEN PERMISSION		CURRENT REV DESC:		molex	
	FA = 0	mm				3:1
E = 0	GENERAL TOLERANCES (UNLESS SPECIFIED)		EC NO: 741451		SFP+ 1X2 CAGE, 3.05 MM PRESS FIT, HEAT SINK, EMI SUS SPRING FINGERS	
	EP = 0	ANGULAR TOL ± 1.0°	DRWN: DKUMARG 2023/03/08			
DIVISIONAL SYMBOLS	4 PLACES ±	CHK'D: SMALLESHAPPA 2023/03/08		PRODUCT CUSTOMER DRAWING		
	3 PLACES ±	APPR: TKUMARKC 2023/03/08		DOCUMENT NUMBER		
	2 PLACES ± 0.13	INITIAL REVISION:		111128820		
	1 PLACE ± 0.25	DRWN: ABHILT2 2022/04/11		PSD ASY A1		
0 PLACES ±	APPR: SCHIEN 2022/05/26		MATERIAL NUMBER		DOC TYPE	
DRAFT WHERE APPLICABLE MUST REMAIN WITHIN DIMENSIONS		THIRD ANGLE PROJECTION	DRAWING	SERIES	CUSTOMER	SHEET NUMBER
			C-SIZE	111112	SEE SHEET 3	1 OF 7

DOCUMENT STATUS	P1	RELEASE DATE	2023/03/08	11:03:09
-----------------	----	--------------	------------	----------

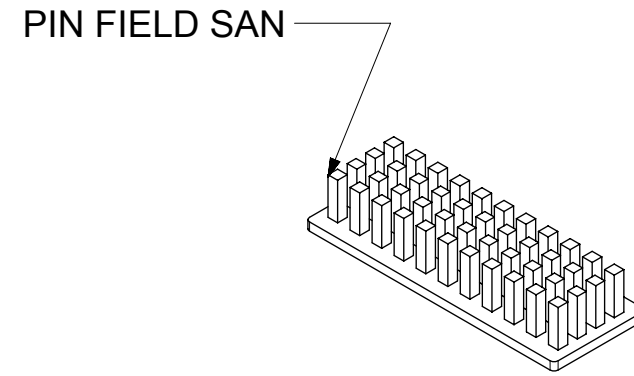
CAGE ASSEMBLY OPTIONS



OVERALL HEATSINK HEIGHT

STYLE	DIM 'A'	DIM 'B'
CUSTOM	20.4	16.7

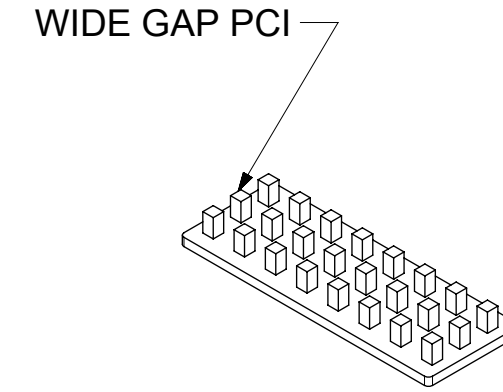
HEATSINK OPTIONS (2 PLC)



OVERALL HEATSINK HEIGHT

APPLICATION	STYLE	DIM 'A'
SAN	PIN FIELD	16.6

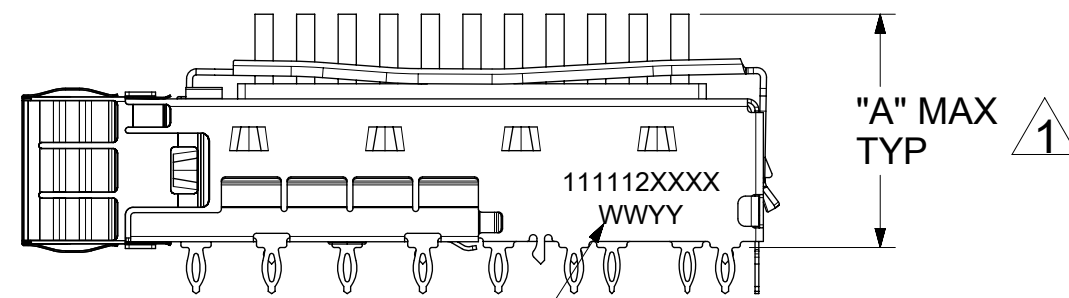
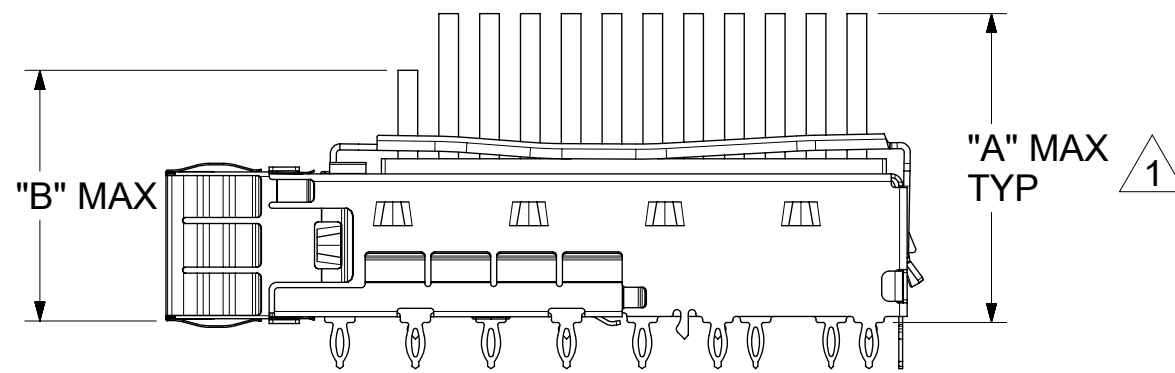
HEATSINK OPTIONS (2 PLC)



OVERALL HEATSINK HEIGHT

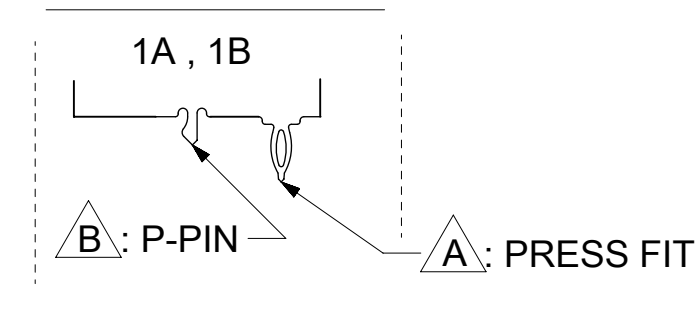
APPLICATION	STYLE	DIM 'A'
PCI	WIDE GAP PIN	14.3

NOTE: PCI - 13 ROWS
SAN - 11 ROWS



PN/DATE CODE TO BE PRINTED ON THE SIDE OF COMPLETED CAGE ASSEMBLY APPROXIMATELY AS SHOWN. FOR 11112 SERIES CAGES

REAR LEG OPTIONS (PER PORT)



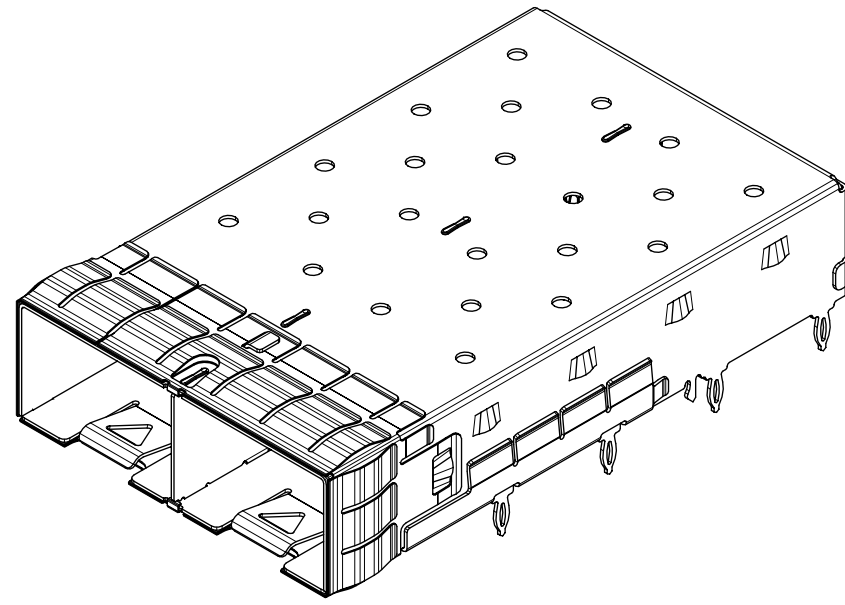
WEEK/YEAR DATE CODE TABLE

WW	01 THRU 52 OR 53	EXAMPLE: 01 = FIRST WEEK OF YEAR 52 = LAST WEEK OF YEAR
YY	23, 24, 25 ETC.	EXAMPLE: YEAR 2023 = 23

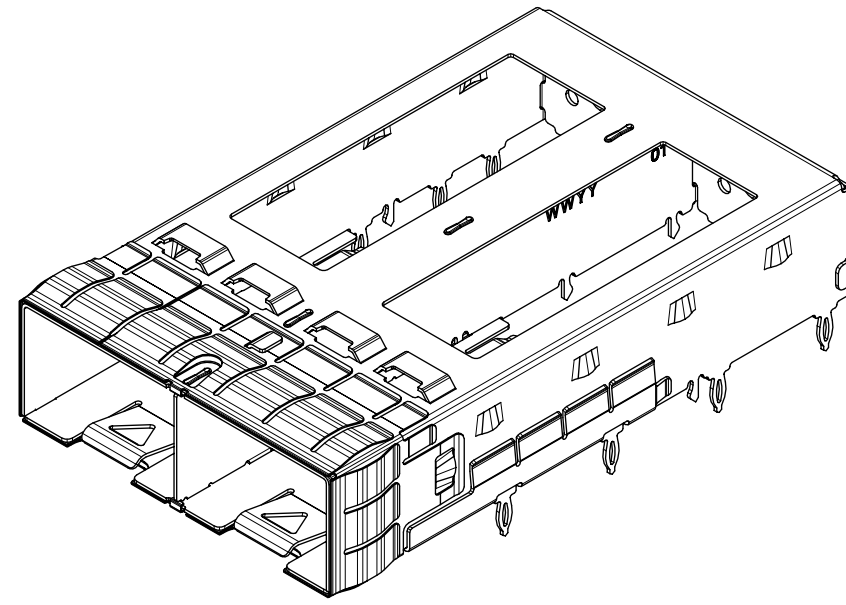
WITH MODULE INSERTED, DIMENSION MAY BE LESS DUE TO MODULE AND HEATSINK VARIATIONS

FUNCTIONAL SYMBOLS	THIS DRAWING CONTAINS INFORMATION THAT IS PROPRIETARY TO MOLEX ELECTRONIC TECHNOLOGIES, LLC AND SHOULD NOT BE USED WITHOUT WRITTEN PERMISSION		CURRENT REV DESC:		molex
	DIMENSION UNITS	SCALE			
$\nabla_A = 0$	mm	1.5:1			SFP+ 1X2 CAGE, 3.05 MM PRESS FIT, HEAT SINK, EMI SUS SPRING FINGERS
$\nabla_E = 0$	GENERAL TOLERANCES (UNLESS SPECIFIED)				
$\nabla_P = 0$	ANGULAR TOL $\pm 1.0^\circ$				PRODUCT CUSTOMER DRAWING
DIVISIONAL SYMBOLS	4 PLACES	\pm	EC NO: 741451	2023/03/08	
	3 PLACES	\pm	DRWN: DKUMARG	2023/03/08	
	2 PLACES	± 0.13	CHK'D: SMALLESHAPPA	2023/03/08	
	1 PLACE	± 0.25	APPR: TKUMARKC	2023/03/08	
0 PLACES	\pm	INITIAL REVISION:			
DRAFT WHERE APPLICABLE MUST REMAIN WITHIN DIMENSIONS		THIRD ANGLE PROJECTION	DRAWING	SERIES	DOCUMENT NUMBER
			C-SIZE	111112	111128820
					DOC TYPE DOC PART REVISION
					PSD ASY A1
					MATERIAL NUMBER CUSTOMER SHEET NUMBER
					SEE SHEET 3 2 OF 7

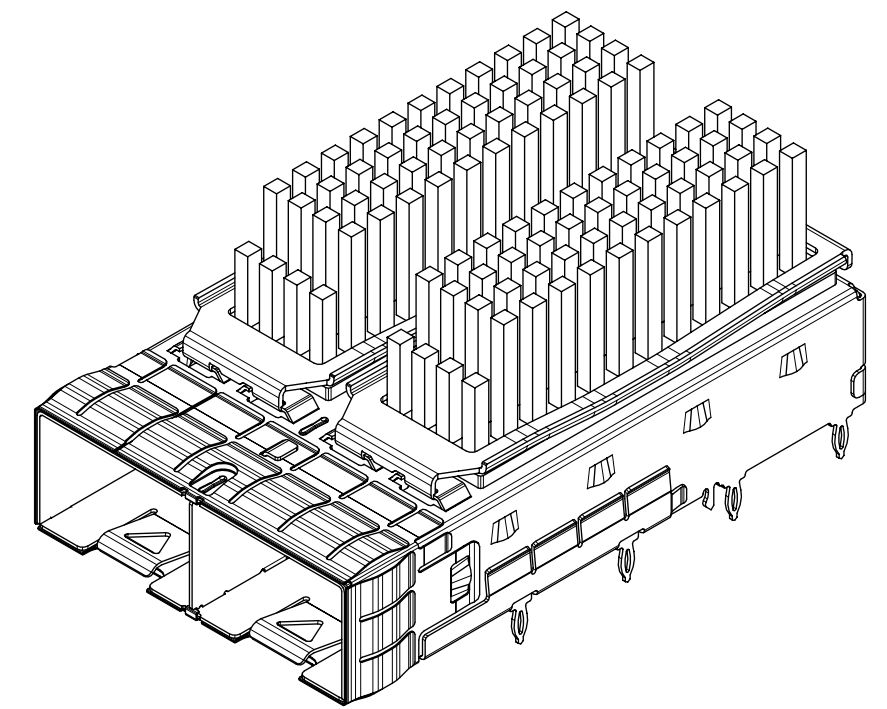
PART NUMBER SELECTION



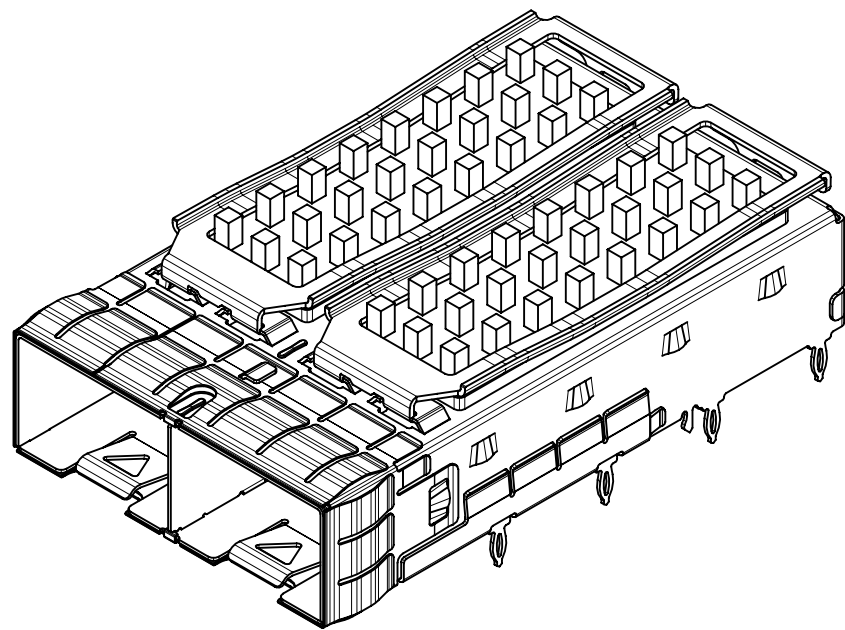
SFP+ CLOSED TOP BASE CAGE	
PART NO.	DESCRIPTION
747548220	SFP FOOTPRINT (STD B TO B), 5 WELD POINTS
747548247	SAME AS ABOVE BUT NO PN/DATE CODE PRINTED



SFP+ OPEN TOP BASE CAGE FOR HEATSINK	
PART NO.	
1111127820	



SFP+ CUSTOM HEATSINK OPTION	
PART NO.	
1111128226	

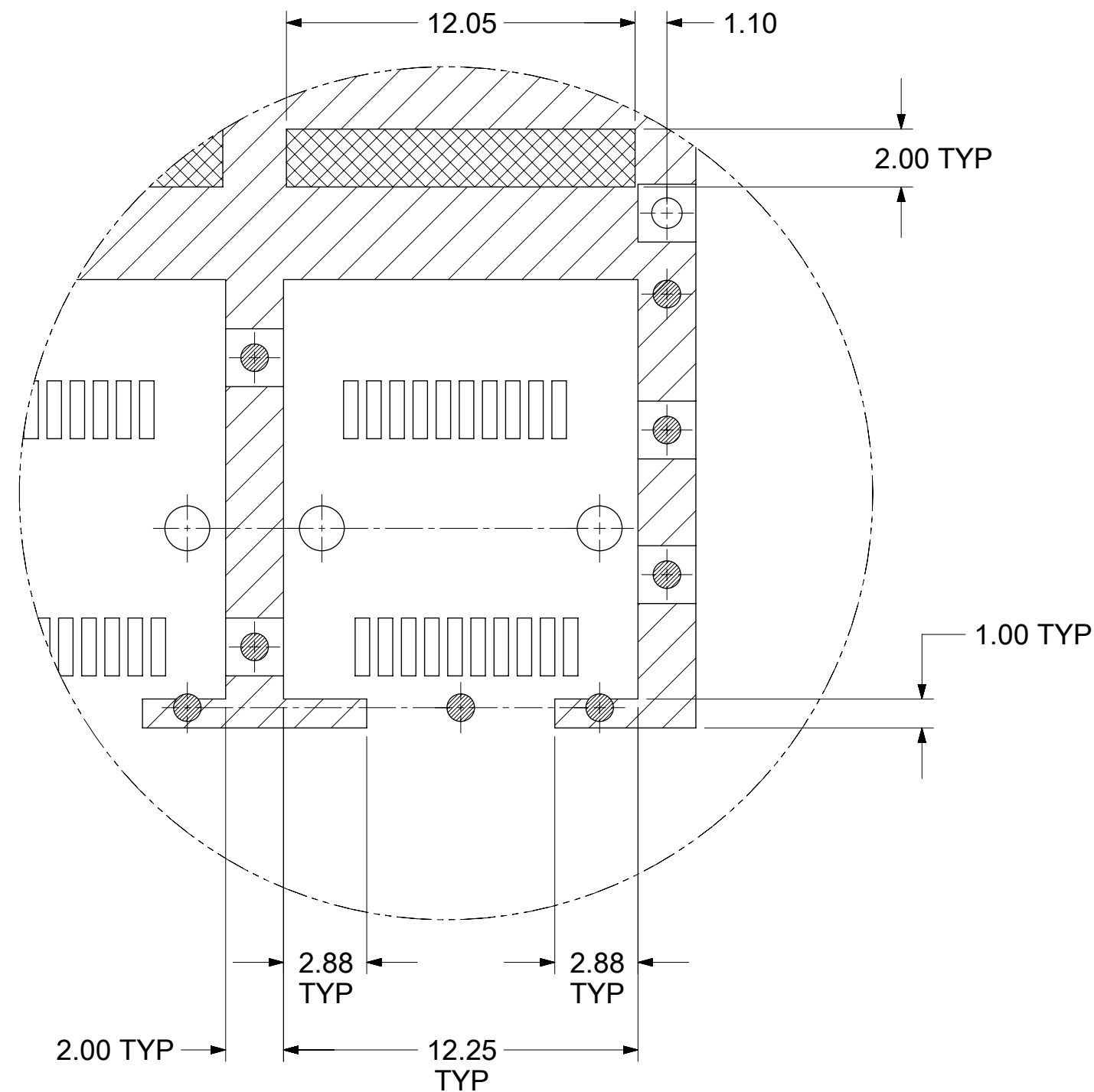
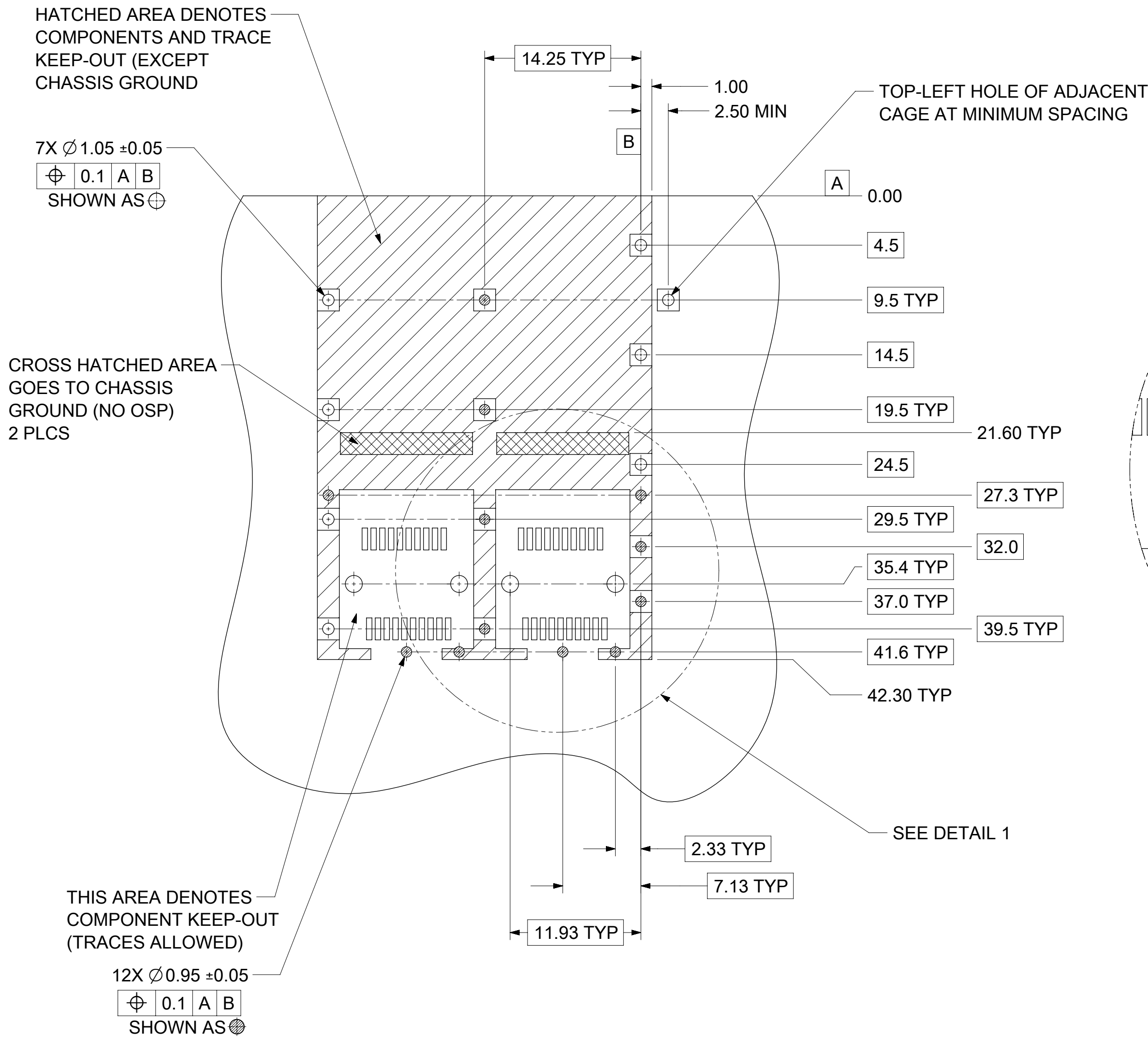


SFP+ LATERAL FIN HEATSINK OPTION	
PART NO.	APPLICATION
1111128820	PCI

FUNCTIONAL SYMBOLS $\nabla_A = 0$ $\nabla_E = 0$ $\nabla_P = 0$	THIS DRAWING CONTAINS INFORMATION THAT IS PROPRIETARY TO MOLEX ELECTRONIC TECHNOLOGIES, LLC AND SHOULD NOT BE USED WITHOUT WRITTEN PERMISSION		molex SFP+ 1X2 CAGE, 3.05 MM PRESS FIT, HEAT SINK, EMI SUS SPRING FINGERS	
	DIMENSION UNITS	SCALE		
	mm	1.25:1	EC NO: 741451	
	GENERAL TOLERANCES (UNLESS SPECIFIED)		DRWN: DKUMARG 2023/03/08	
ANGULAR TOL $\pm 1.0^\circ$		CHK'D: SMALLESHAPPA 2023/03/08		
4 PLACES \pm		APPR: TKUMARKC 2023/03/08		
3 PLACES \pm		INITIAL REVISION:		
2 PLACES ± 0.13		DRWN: ABHILT2 2022/04/11		
1 PLACE ± 0.25		APPR: SCHIEN 2022/05/26		
0 PLACES \pm		DOCUMENT NUMBER		
DRAFT WHERE APPLICABLE MUST REMAIN WITHIN DIMENSIONS		1111128820		
THIRD ANGLE PROJECTION	DRAWING	DOC TYPE		
	C-SIZE	PSD		
SERIES	MATERIAL NUMBER	DOC PART		
111112	SEE SHEET 3	ASY		
CUSTOMER	SHEET NUMBER	REVISION		
	3 OF 7	A1		

DOCUMENT STATUS	P1	RELEASE DATE	2023/03/08	11:03:09
-----------------	----	--------------	------------	----------

PCB LAYOUT - SINGLE SIDE ONLY

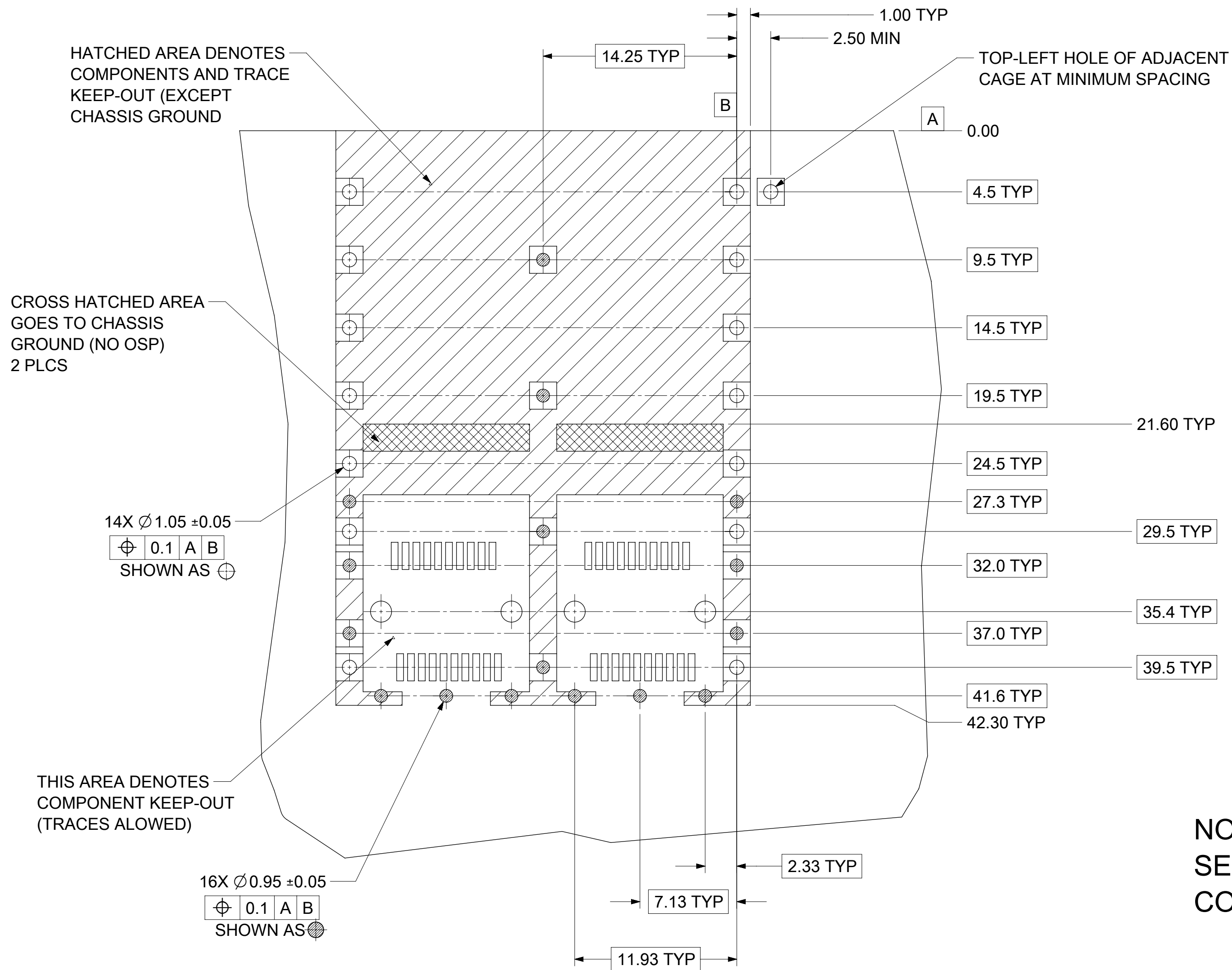


DETAIL 1
SCALE 5:1

- NOTES:
- PADS AND VIAS CONNECT TO CHASSIS GROUND
RECOMMEND PADS TO BE 2.00mm SQUARE
 - RECOMMENDED THRU HOLE PLATING INCLUDES HASL, OSP, OR IMMERSION (GOLD, SILVER, OR TIN)
 - CONNECTOR PAD LAYOUT PER SFP+ MSA WILL ACCOMODATE MOLEX CONNECTOR SERIES 74441 OR EQUIVALENT.
 - SPACING BETWEEN PORTS IS 14.25mm
 - 1.57mm MINIMUM PCB THICKNESS FOR SINGLE SIDED USE.

FUNCTIONAL SYMBOLS	THIS DRAWING CONTAINS INFORMATION THAT IS PROPRIETARY TO MOLEX ELECTRONIC TECHNOLOGIES, LLC AND SHOULD NOT BE USED WITHOUT WRITTEN PERMISSION		CURRENT REV DESC:						
	DIMENSION UNITS	SCALE							
$\frac{F}{A} = 0$	mm	1:1	EC NO: 741451 DRWN: DKUMARG 2023/03/08 CHK'D: SMALLESHAPPA 2023/03/08 APPR: TKUMARKC 2023/03/08		SFP+ 1X2 CAGE, 3.05 MM PRESS FIT, HEAT SINK, EMI SUS SPRING FINGERS				
$\frac{F}{C} = 0$	GENERAL TOLERANCES (UNLESS SPECIFIED)								
$\frac{F}{P} = 0$	ANGULAR TOL ± 1.0°								
DIVISIONAL SYMBOLS	4 PLACES	±	INITIAL REVISION: DRWN: ABHILT2 2022/04/11 APPR: SCHIEN 2022/05/26		PRODUCT CUSTOMER DRAWING				
	3 PLACES	±			DOCUMENT NUMBER		DOC TYPE	DOC PART	REVISION
	2 PLACES	± 0.13			1111128820		PSD	ASY	A1
	1 PLACE	± 0.25			MATERIAL NUMBER		CUSTOMER		SHEET NUMBER
0 PLACES	±		SEE SHEET 3				4 OF 7		
DRAFT WHERE APPLICABLE MUST REMAIN WITHIN DIMENSIONS		THIRD ANGLE PROJECTION		DRAWING	SERIES				
				C-SIZE	111112				

PCB LAYOUT FOR BELLY TO BELLY MOUNTING



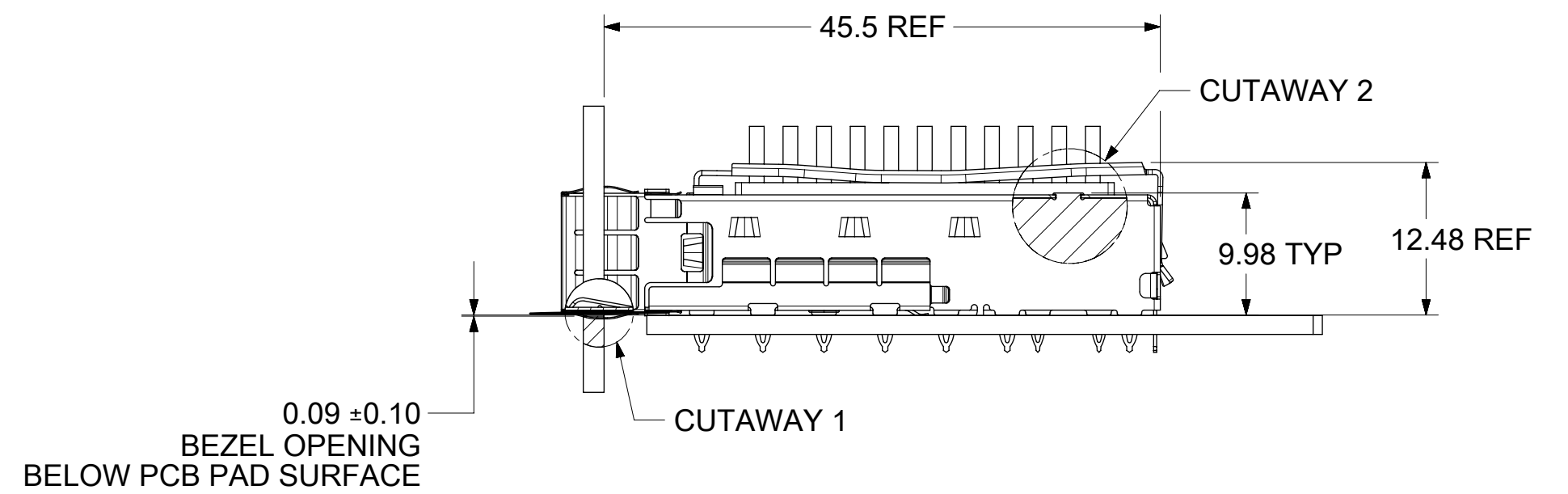
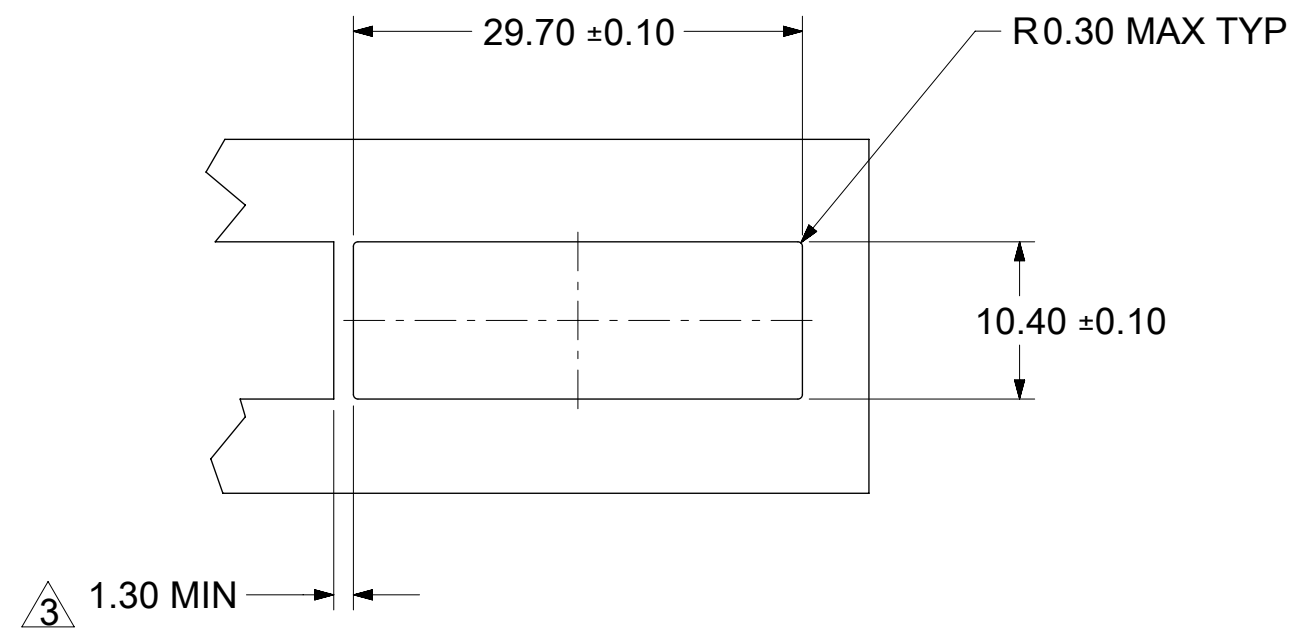
NOTES:

1. PADS AND VIAS CONNECT TO CHASSIS GROUND
RECOMMEND PADS TO BE 2.00mm SQUARE
2. RECOMMENDED THRU HOLE PLATING INCLUDES HASL, OSP, OR IMMERSION (GOLD, SILVER, OR TIN)
3. CONNECTOR PAD LAYOUT PER SFP+ MSA WILL ACCOMODATE MOLEX CONNECTOR SERIES 74441 OR EQUIVALENT.
4. SPACING BETWEEN PORTS IS 14.25mm
5. 3.00mm [.118 INCH] MINIMUM PCB THICKNESS FOR BELLY TO BELLY USE.

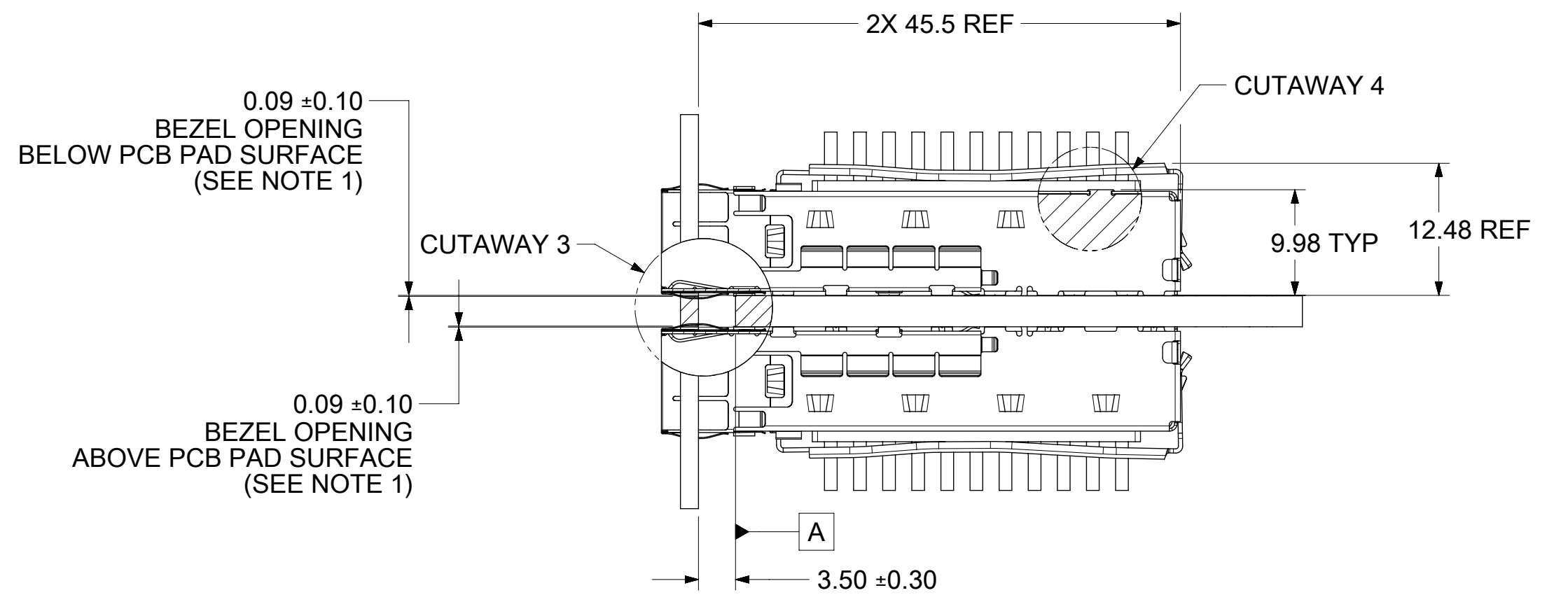
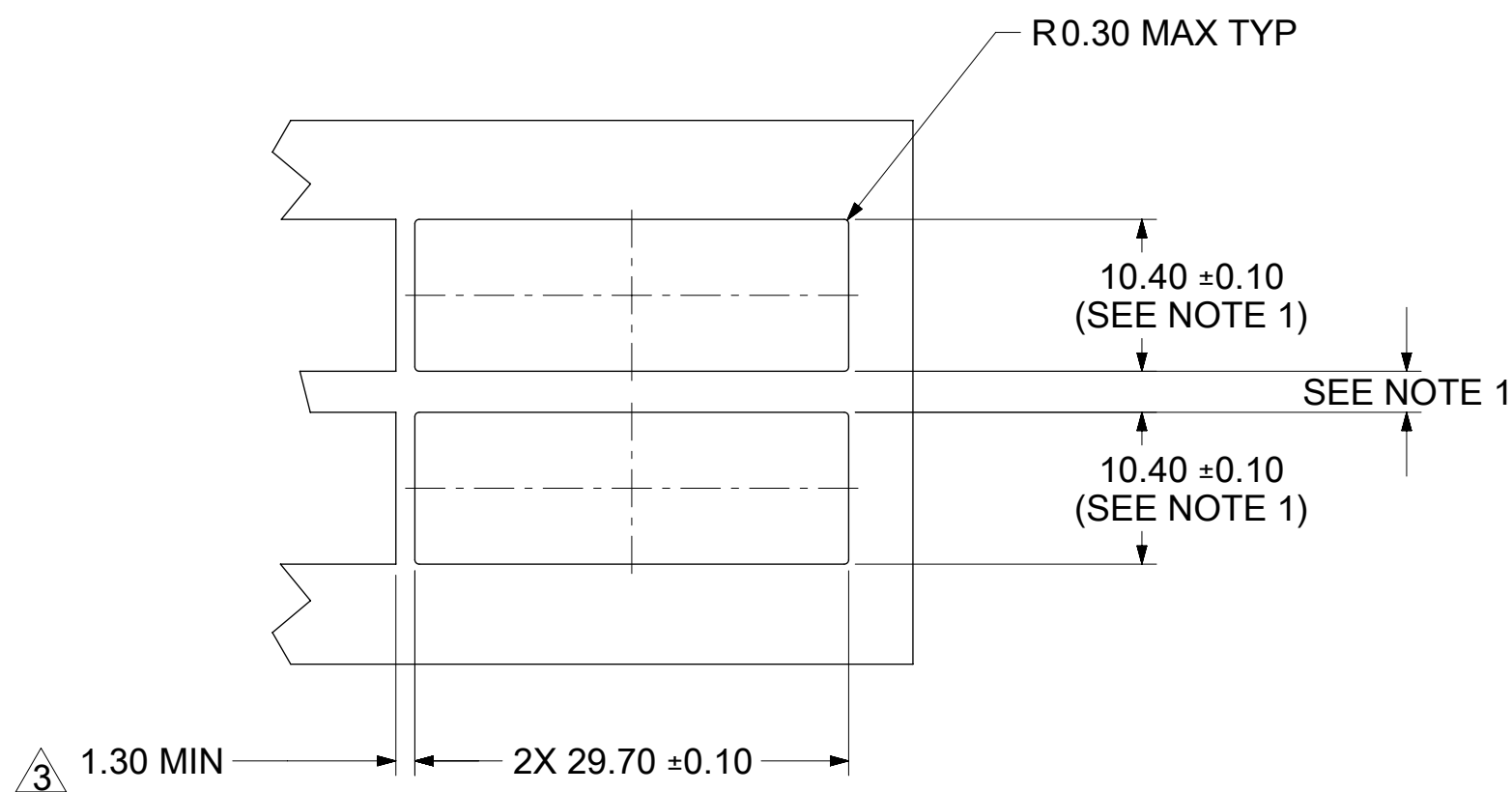
NOTE:
SEE SHEET 4 FOR HOST
CONNECTOR DETAIL

FUNCTIONAL SYMBOLS	THIS DRAWING CONTAINS INFORMATION THAT IS PROPRIETARY TO MOLEX ELECTRONIC TECHNOLOGIES, LLC AND SHOULD NOT BE USED WITHOUT WRITTEN PERMISSION		CURRENT REV DESC:					
	DIMENSION UNITS	SCALE						
$F/A = 0$	mm	4:1	EC NO: 741451		SFP+ 1X2 CAGE, 3.05 MM PRESS FIT, HEAT SINK, EMI SUS SPRING FINGERS			
$F/C = 0$	GENERAL TOLERANCES (UNLESS SPECIFIED)							
$F/P = 0$	ANGULAR TOL ± 1.0°		DRWN: DKUMARG 2023/03/08		PRODUCT CUSTOMER DRAWING			
DIVISIONAL SYMBOLS	4 PLACES ±		CHK'D: SMALLESHAPPA 2023/03/08					
	3 PLACES ±		APPR: TKUMARKC 2023/03/08		DOCUMENT NUMBER: 111128820			
	2 PLACES ± 0.13		INITIAL REVISION:					PSD ASY A1
	1 PLACE ± 0.25		DRWN: ABHILT2 2022/04/11		MATERIAL NUMBER: SEE SHEET 3			
	0 PLACES ±		APPR: SCHIEN 2022/05/26					CUSTOMER: 111112
DRAFT WHERE APPLICABLE MUST REMAIN WITHIN DIMENSIONS			THIRD ANGLE PROJECTION		DRAWING: C-SIZE		SHEET NUMBER: 5 OF 7	

BEZEL AND BOARD POSITION DIMENSIONS FOR SINGLE SIDE MOUNTING (SPRING FINGER)



BEZEL AND BOARD POSITION DIMENSIONS FOR BELLY TO BELLY MOUNTING (SPRING FINGER)



- NOTE:**
1. PCB THICKNESS VARIATION MUST BE CONSIDERED WHEN DETERMINING BEZEL OPENING SIZE AND LOCATION.
 2. CAGE LEG STANDOFF WILL PIERCE BELLY GASKET WHEN PROPERLY PRESSED INTO PCB.
 3. THIS DIMENSION IS FOR REF ONLY. USER CAN MODIFY IT DEPENDS ON APPLICATION. HOLE OF ADJACENT CAGE ON PCB LAYOUT VARIES ON MODIFICATION.

FUNCTIONAL SYMBOLS	THIS DRAWING CONTAINS INFORMATION THAT IS PROPRIETARY TO MOLEX ELECTRONIC TECHNOLOGIES, LLC AND SHOULD NOT BE USED WITHOUT WRITTEN PERMISSION										
$\frac{E}{A} = 0$	DIMENSION UNITS	SCALE	CURRENT REV DESC:							molex	
$\frac{E}{C} = 0$	mm	2:1	EC NO: 741451								
$\frac{E}{P} = 0$	GENERAL TOLERANCES (UNLESS SPECIFIED)		DRWN: DKUMARG 2023/03/08							SFP+ 1X2 CAGE, 3.05 MM PRESS FIT, HEAT SINK, EMI SUS SPRING FINGERS	
ANGULAR TOL ± 1.0°			CHK'D: SMALLESHAPPA 2023/03/08							PRODUCT CUSTOMER DRAWING	
4 PLACES ±			APPR: TKUMARKC 2023/03/08							DOCUMENT NUMBER	
3 PLACES ±			INITIAL REVISION:							111128820	
2 PLACES ± 0.13			DRWN: ABHILT2 2022/04/11							PSD ASY A1	
1 PLACE ± 0.25			APPR: SCHIEN 2022/05/26							DOC TYPE DOC PART REVISION	
0 PLACES ±			DRAFT WHERE APPLICABLE MUST REMAIN WITHIN DIMENSIONS		THIRD ANGLE PROJECTION		DRAWING		SHEET NUMBER		
					C-SIZE		SERIES		6 OF 7		
					111112		MATERIAL NUMBER		SEE SHEET 3		
							CUSTOMER				

