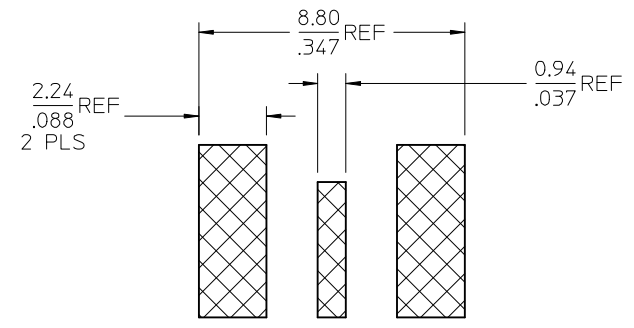
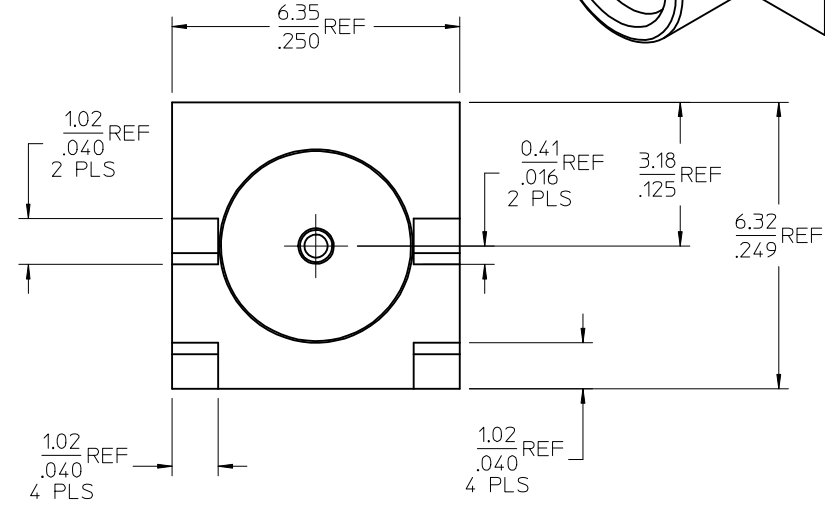
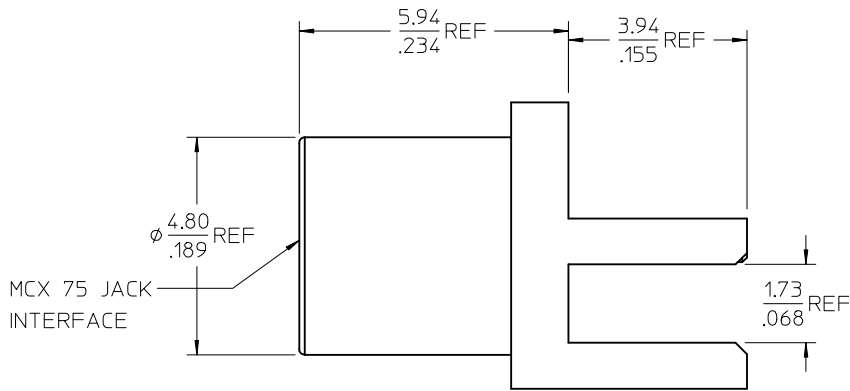
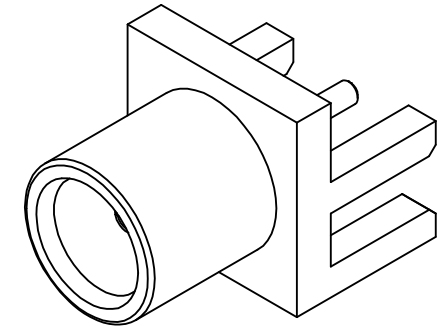


MATERIALS AND FINISHES

BODY: BRASS
 PLATED SEE TABLE

CENTER CONTACT: BERYLLIUM COPPER
 PLATED GOLD

INSULATOR: TEFLON



73415-5951	GOLD
73415-5950	NICKEL
PART NO.	FINISH

RECOMMENDED PCB LAYOUT

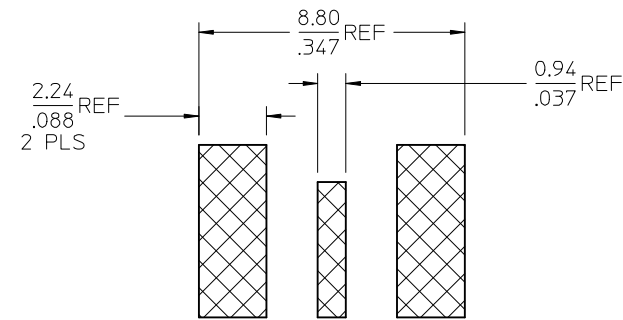
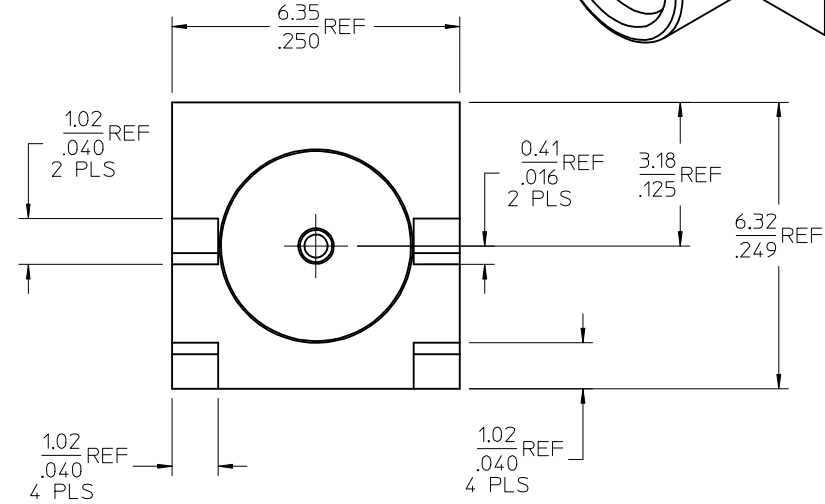
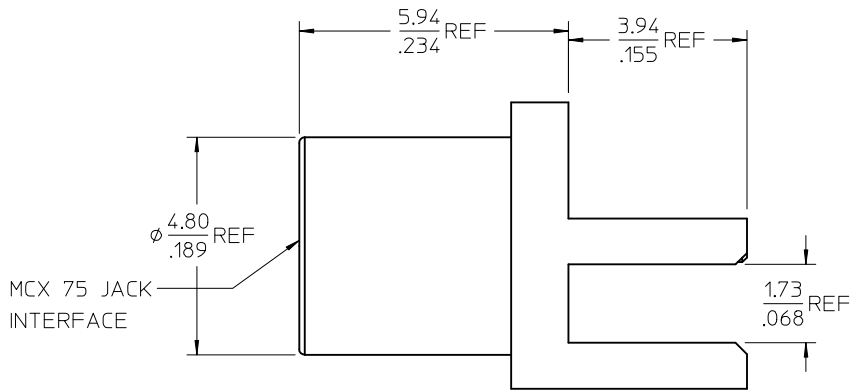
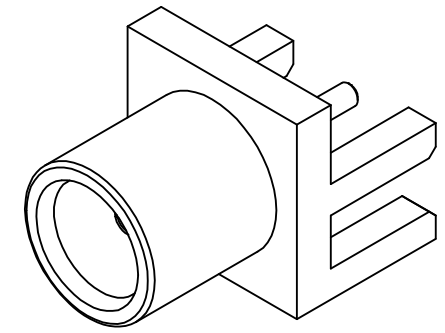
CHG: NEW RELEASE EC NO: URF2009-0691 DRWN: JLEE02 CHKD: SSS APPR: WIENER	QUALITY SYMBOLS ▽=0 ▽=0	GENERAL TOLERANCES (UNLESS SPECIFIED)		DIMENSION STYLE MM/IN	SCALE METRIC	DESIGN UNITS METRIC	THIRD ANGLE PROJECTION		
		4 PLACES ± --- ± --- 3 PLACES ± --- ± --- 2 PLACES ± --- ± --- 1 PLACE ± --- ± ---	mm INCH	DRAWN BY JM	DATE 2006/07/14	TITLE MCX 75 JACK, PCB EDGEMOUNT, 75 OHMS EWR-3150, MCX75-J/PCB			
		ANGULAR ± 2 °		CHECKED BY JM	DATE 2006/07/14	MOLEX INCORPORATED			
		DRAFT WHERE APPLICABLE MUST REMAIN WITHIN DIMENSIONS		APPROVED BY JDW	DATE 2006/07/14	MATERIAL NO. SEE TABLE	DOCUMENT NO. SD-73415-595	SHEET NO. 1 OF 1	

MATERIALS AND FINISHES

BODY: BRASS
PLATED SEE TABLE

CENTER CONTACT: BERYLLIUM COPPER
PLATED GOLD

INSULATOR: TEFLON



RECOMMENDED PCB LAYOUT

73415-5951	GOLD
73415-5950	NICKEL
PART NO.	FINISH

CHG: NEW RELEASE
EC NO: URF2009-0691
DRWN: JLEE02
CHKD: SSS
APPR: JWIENER

QUALITY SYMBOLS
=0
=0

GENERAL TOLERANCES (UNLESS SPECIFIED)
mm INCH
4 PLACES ± --- ± ---
3 PLACES ± --- ± ---
2 PLACES ± --- ± ---
1 PLACE ± --- ± ---
ANGULAR ± 2 °

DRAFT WHERE APPLICABLE
MUST REMAIN
WITHIN DIMENSIONS

DIMENSION STYLE
MM/IN

DRAWN BY DATE
JM 2006/07/14

CHECKED BY DATE
JM 2006/07/14

APPROVED BY DATE
JDW 2006/07/14

MATERIAL NO.
SEE TABLE

SIZE
C

SCALE
DESIGN UNITS
METRIC

THIRD ANGLE PROJECTION

TITLE
MCX 75 JACK, PCB
EDGEMOUNT, 75 OHMS
EWR-3150, MCX75-J/PCB

MOLEX INCORPORATED

DOCUMENT NO.
SD-73415-595

SHEET NO.
1 OF 1

THIS DRAWING CONTAINS INFORMATION THAT IS PROPRIETARY TO MOLEX INCORPORATED AND SHOULD NOT BE USED WITHOUT WRITTEN PERMISSION