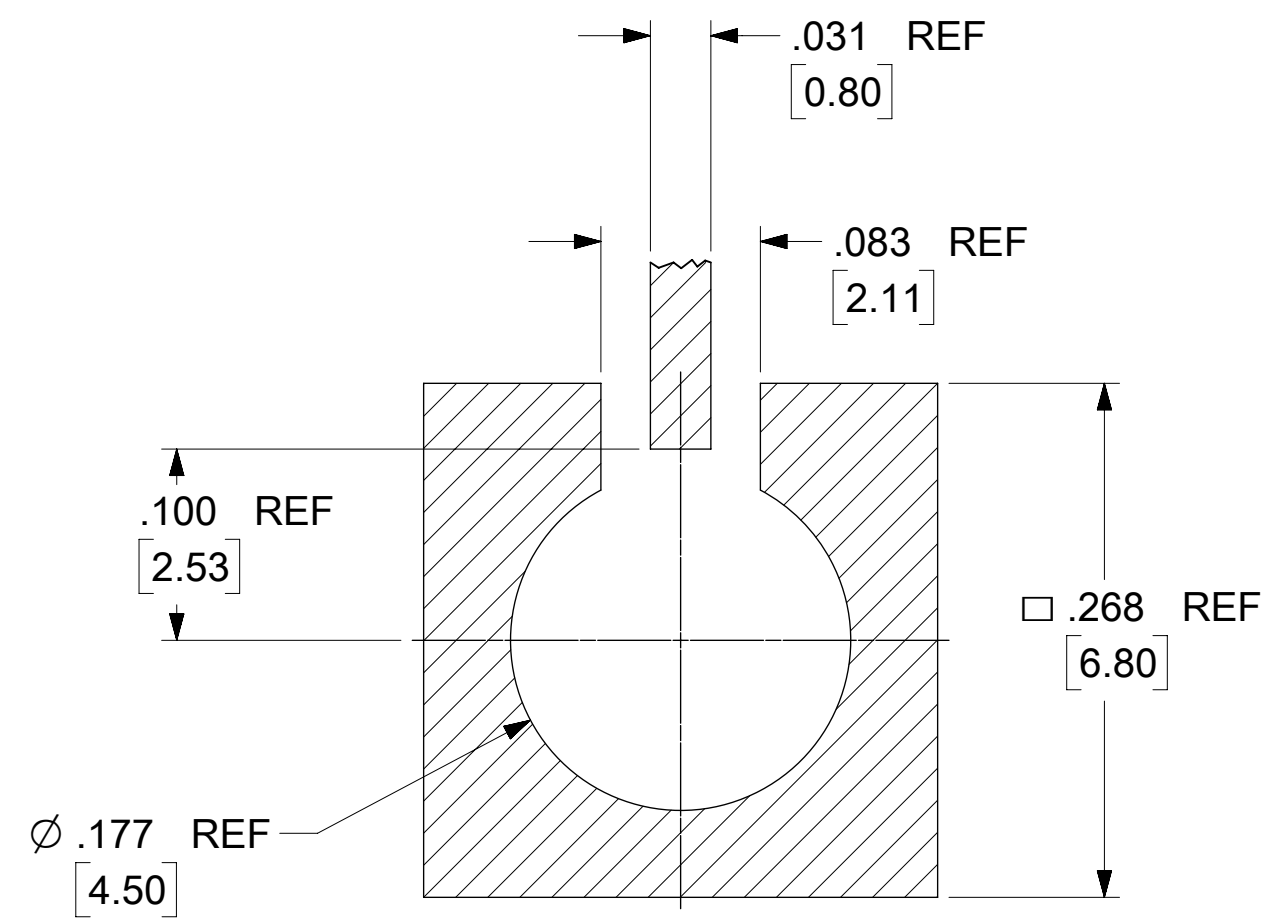
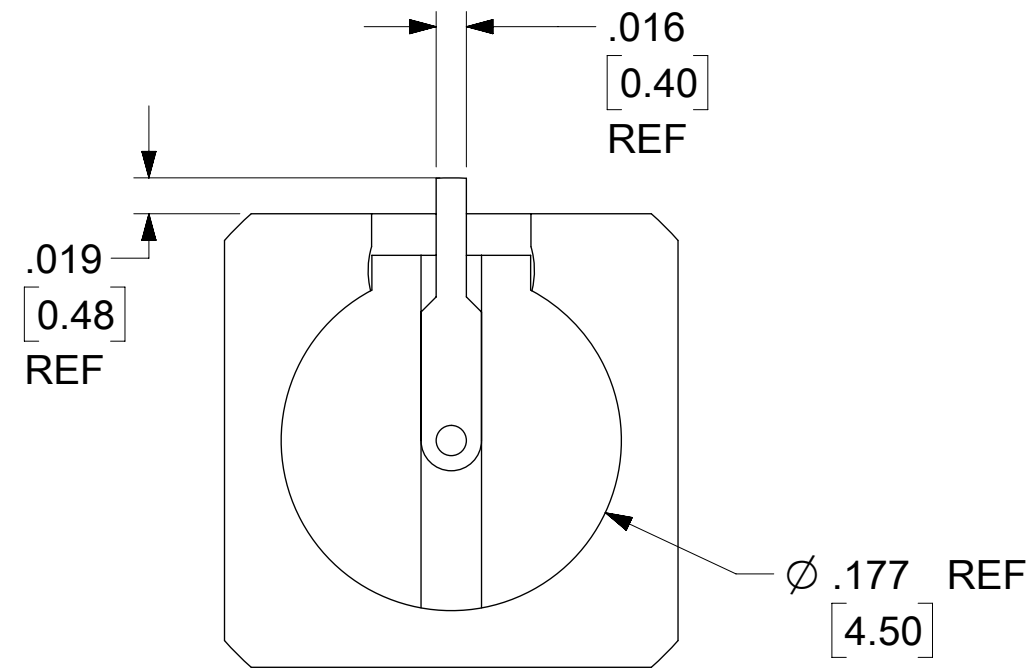
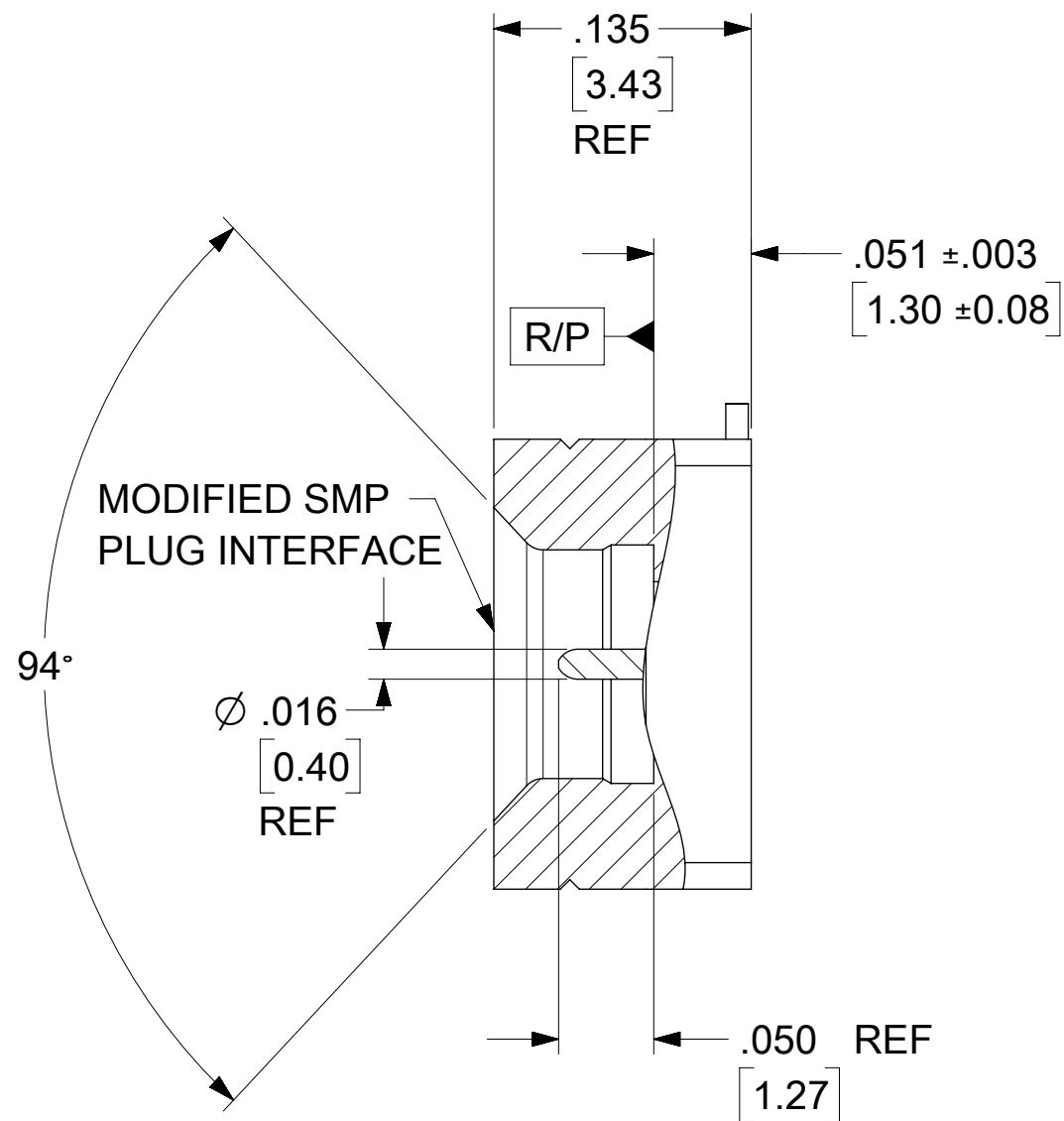
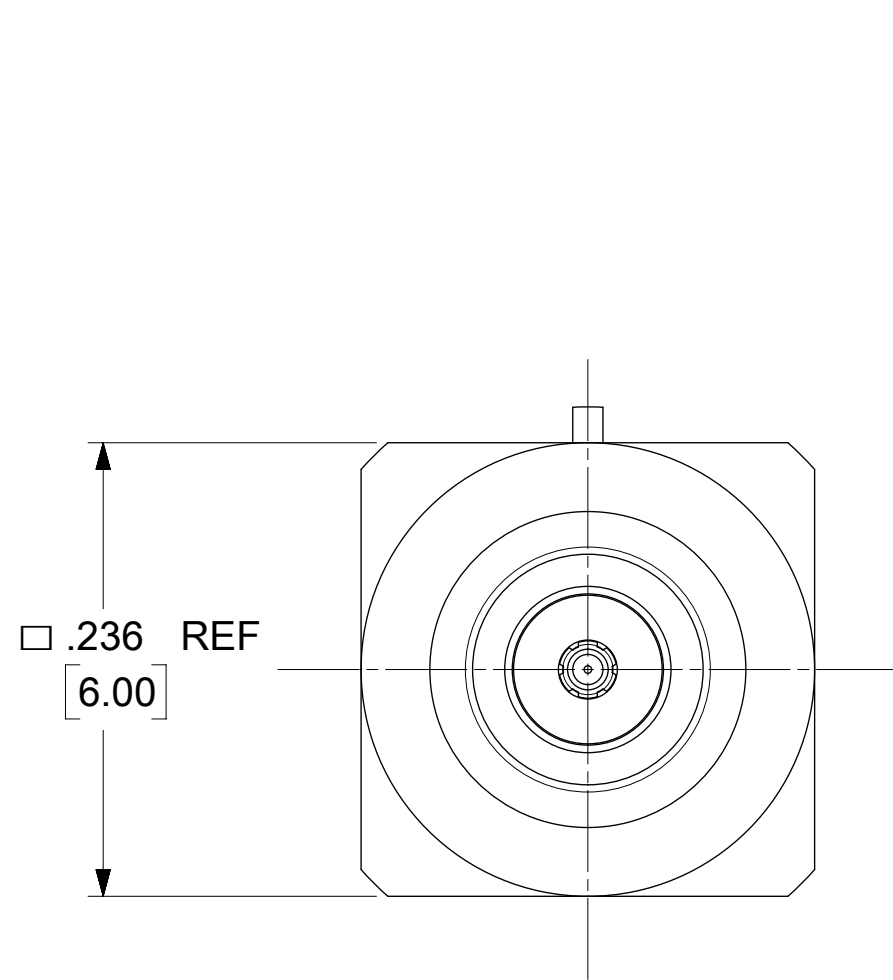
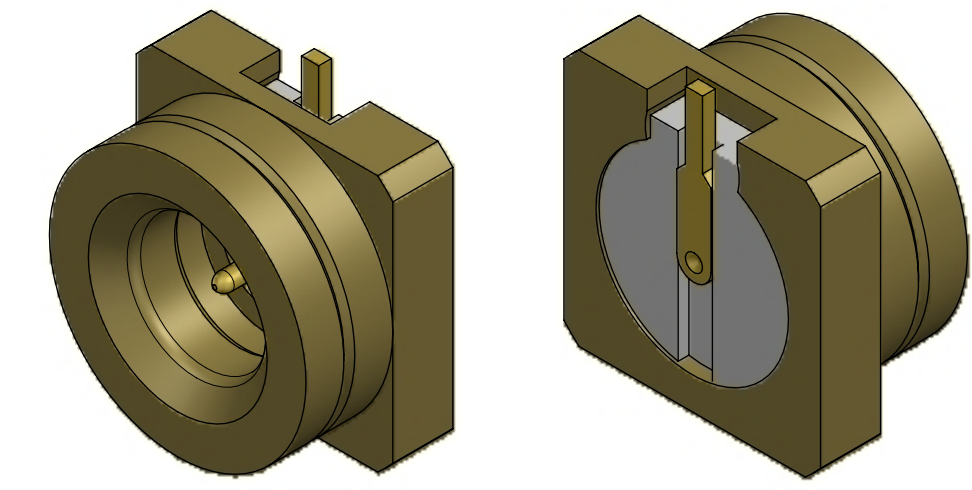


MATERIALS AND FINISHES:

BODY, CONTACT: BRASS
 PLATED: GOLD (30μ-in MIN)
 OVER NICKEL (100μ-in MIN)

INSULATOR: LCP



RECOMMENDED MOUNTING PATTERN

LABEL WITH EACH BAG
 FOR 73415-4161

MOLEX P/N: 73415-4161
 DATE: YYWW

73415-4161	ONE PER BAG	895420470
73415-4160	TRAY	895420040
PART NO.	PACKAGING	PACKING SPEC

PS-89675-3320	PRODUCT SPECIFICATION
MIL-STD-348, FIG. 326.2	INTERFACE SMP FD
SPECIFICATION	DESCRIPTION

FUNCTIONAL SYMBOLS	THIS DRAWING CONTAINS INFORMATION THAT IS PROPRIETARY TO MOLEX ELECTRONIC TECHNOLOGIES, LLC AND SHOULD NOT BE USED WITHOUT WRITTEN PERMISSION			
	DIMENSION UNITS	SCALE	CURRENT REV DESC: ADD 73415-4161 FOR SMALL PACK PER EWR15321-D	
$\frac{F}{A} = 0$	IN/MM	NTS		
$\frac{F}{C} = 0$	GENERAL TOLERANCES (UNLESS SPECIFIED)			<p>molex</p> <p>SMP PLUG STR FULL DETENT MOD INTRFACE 50 OHM SMP-P/SMT/PCB EWR-1934</p> <p>PRODUCT CUSTOMER DRAWING</p>
$\frac{F}{P} = 0$		MM	INCH	
DIVISIONAL SYMBOLS	4 PLACES	±	±	
	3 PLACES	±	± 0.01	
	2 PLACES	± 0.13	± 0.005	
	1 PLACE	± 0.25	±	
	0 PLACES	±	±	
	ANGULAR TOL	± °		
	DRAFT WHERE APPLICABLE MUST REMAIN WITHIN DIMENSIONS	THIRD ANGLE PROJECTION	DRAWING	SERIES
			C-SIZE	73415
DOCUMENT STATUS	P1	RELEASE DATE	2022/08/23	12:44:05
DOCUMENT NUMBER	SD-73415-416	CUSTOMER	SEE TABLE	
DOC TYPE	PSD	DOC PART	001	REVISION
				A2
				SHEET NUMBER
				1 OF 1