

MFG. ENG. APPROVED BY: DATE: QA APPROVED BY: DATE:

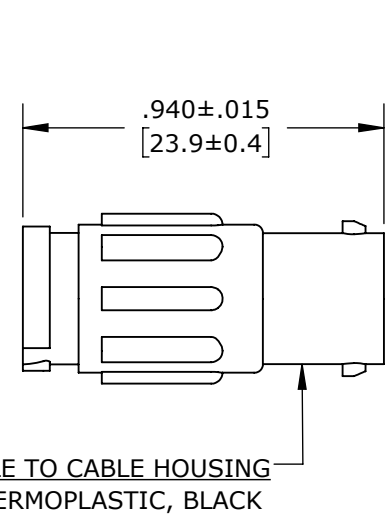
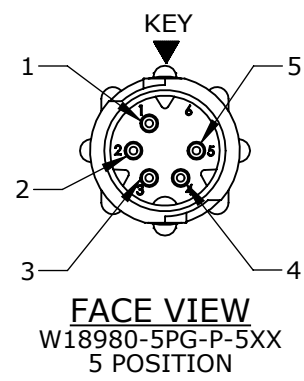
NOTES:

1. ALL PARTS ARE BULK PACKED.
2. REFER TO DRAWING HPMCSTD FOR CONTACT PATTERNS.
3. ALL DIMENSIONS ARE REFERENCE ONLY IN INCHES [mm], WITHIN ±0.015 UNLESS OTHERWISE NOTED.

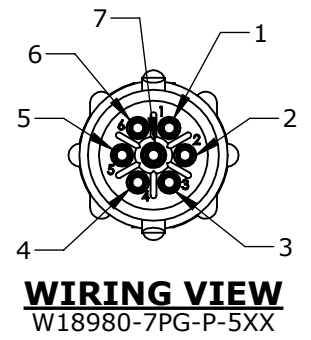
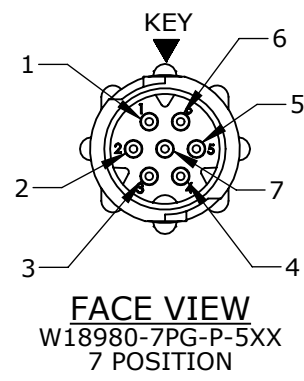
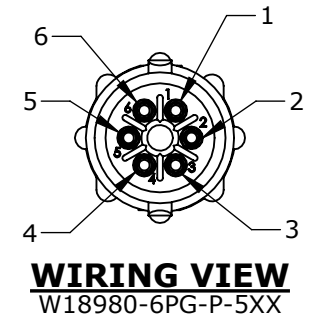
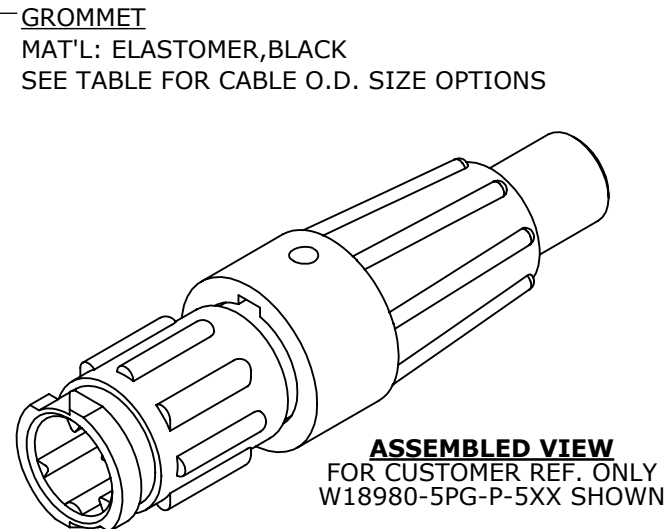
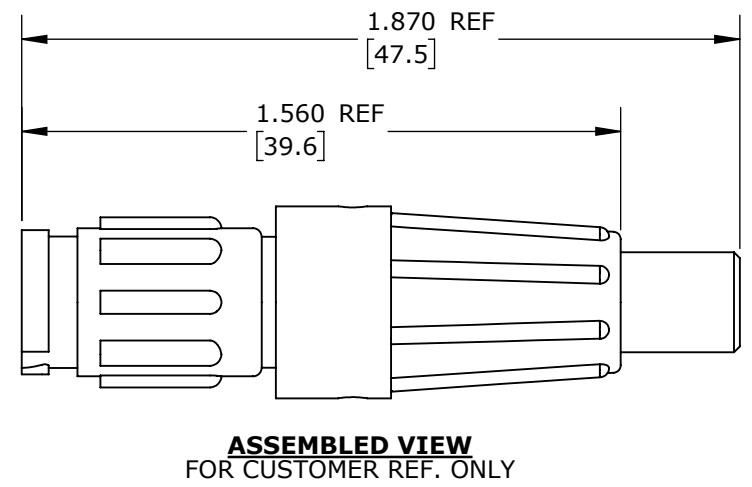
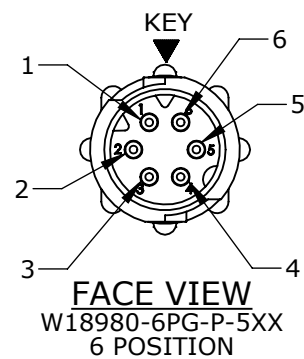
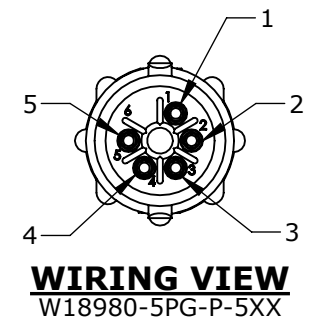
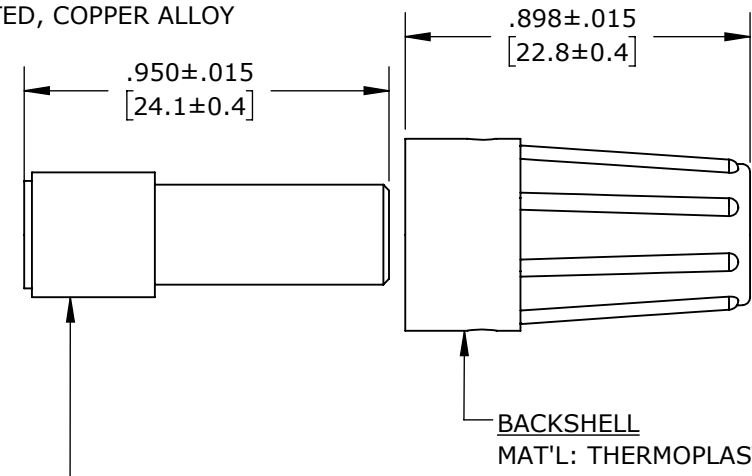
ASS'Y P/N	CONTACT QTY.	CABLE O.D. RANGE
W18980-5PG-P-518	5	0.18 - 0.20 [4.6 - 5.1]
W18980-5PG-P-521	5	0.21 - 0.22 [5.3 - 5.6]
W18980-5PG-P-522	5	0.22 - 0.23 [5.6 - 5.8]
W18980-6PG-P-518	6	0.18 - 0.20 [4.6 - 5.1]
W18980-6PG-P-521	6	0.21 - 0.22 [5.3 - 5.6]
W18980-6PG-P-522	6	0.22 - 0.23 [5.6 - 5.8]
W18980-7PG-P-518	7	0.18 - 0.20 [4.6 - 5.1]
W18980-7PG-P-521	7	0.21 - 0.22 [5.3 - 5.6]
W18980-7PG-P-522	7	0.22 - 0.23 [5.6 - 5.8]
W18980-XPG-P-5XX		

OF CONTACTS

GROMMET SIZE = CABLE O.D. RANGE:
 518 = 0.18 - 0.20 [4.6 - 5.1]
 521 = 0.21 - 0.22 [5.3 - 5.6]
 522 = 0.22 - 0.23 [5.6 - 5.8]



(5-7) # 26 PIN CONTACTS
 CRIMP TAIL
 MAT'L: GOLD PLATED, COPPER ALLOY



CUSTOMER PRINT

PART NUMBER: W18980-XPG-P-5XX

CUSTOMER APPROVAL

THIS DOCUMENT CONTAINS CONFIDENTIAL INFORMATION PROPRIETARY TO CONXALL CORPORATION. ANY REPRODUCTION, DISCLOSURE, OR USE OF THIS DOCUMENT /INFORMATION IS EXPRESSLY PROHIBITED UNLESS AUTHORIZED IN WRITING BY CONXALL CORPORATION.

APPROVED BY: _____
 DATE: _____

RoHS COMPLIANT

0A	JGK	8/28/19	DRAWING CREATED FOR PDR #18004.
REV.	INIT.	DATE	DESCRIPTION
	JGK	8/28/19	ALL INFORMATION ILLUSTRATED IS THE PROPERTY OF "CONXALL CORPORATION". UNAUTHORIZED DUPLICATION OR DISTRIBUTION OF THIS DOCUMENT IS PROHIBITED.
			ORIG. DRAWN BY: DATE: 8/28/19
			CHECKED BY:
			APPROVED BY:
			SCALE: NTS SIZE: B SHEET: 1 OF 1
			FILE: W18980-XPG-P-5XX DIRECTORY: SLW
			TITLE: CABLE TO CABLE CONN. ASS'Y (5-7) #26 PIN CONTACTS, CRIMP INSTA-CLICK, MICRO-CON-X STANDARD PRODUCT
			CUSTOMER: PART NUMBER: W18980-XPG-P-5XX
			REV: 0A

PRELIMINARY

DIMENSIONS IS BRACKETS [] ARE METRIC