

MODELS:

SRX42UBDP / SRX42UBDPEXP

SmartRack® Euro-Series Deep Rack Enclosure



42 Rack Units



1360 kg
Stationary
Load Capacity



1020 kg
Rolling
Load Capacity



Heavy-Duty
Casters



Locking Doors &
Side Panels



Standard
19-inch
(48.3 cm)
Rack Width



Toolless
Mounting Slots



Adjustable
Rails with
Easy-View
Depth Index



Airflow
Exceeds
Server OEM
Requirements



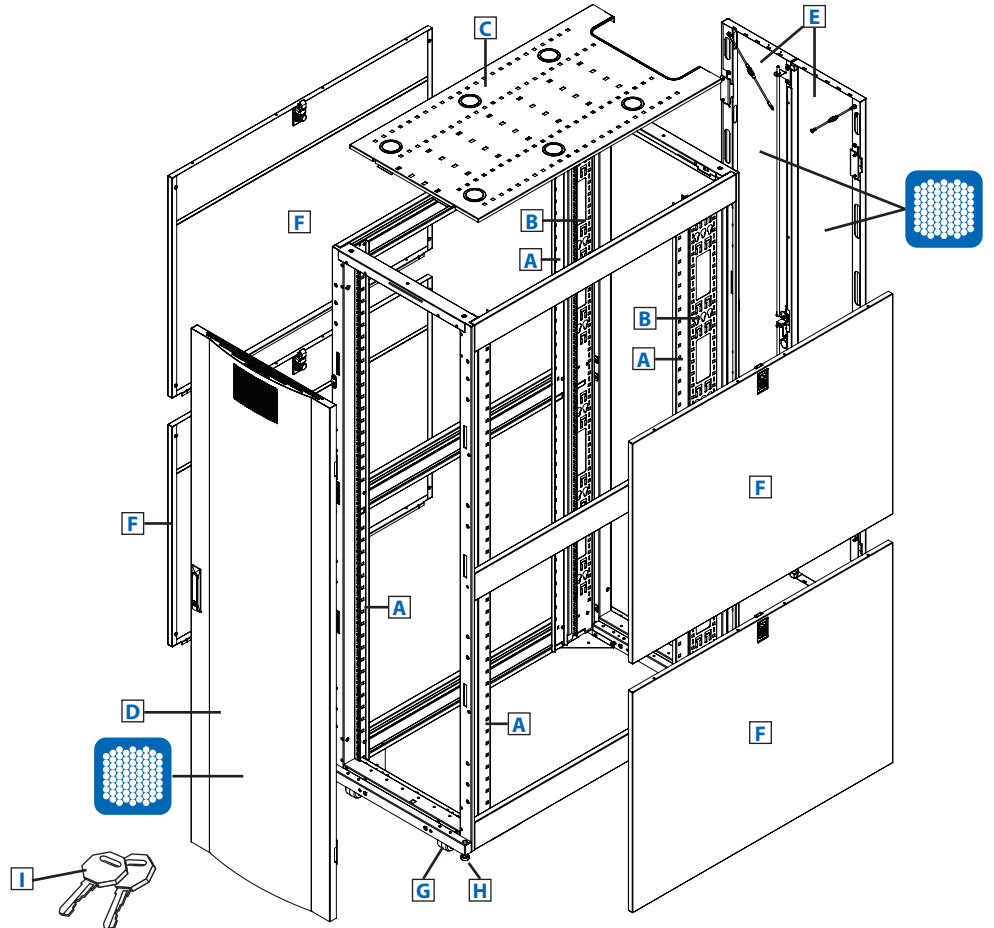
Integrated
Baying Tabs



Square Hole
Mounting

- A** Adjustable Mounting Rails
- B** Adjustable PDU Mounting Rails with Toolless Mounting Slots
- C** Roof Panel (Removable)
- D** Front Door (Lockable/Removable/Reversible)
- E** Split Rear Doors (Lockable/Removable)
- F** Side Panels (Lockable/Removable; not included with SRX42UBDPEXP)
- G** Heavy-Duty Casters
- H** Heavy-Duty Levelers
- I** Keys (For doors and side panels.)

Also Includes: Owner's manual, 2 shipping/stabilizing brackets and rack-mount equipment mounting hardware (50 cage nuts, 50 mounting screws, 50 nylon cup washers).



- Enclosures ship fully assembled for rapid deployment, but can be knocked down for easy reassembly in confined spaces
- 1200 mm depth allows extra space for cable management and hot-swap, removable power supplies
- Modular design optimized for quick configuration and reconfiguration
- Ideal for rack-mount server, network and telecom applications

SEE NEXT PAGE FOR DETAILED UNIT MEASUREMENTS

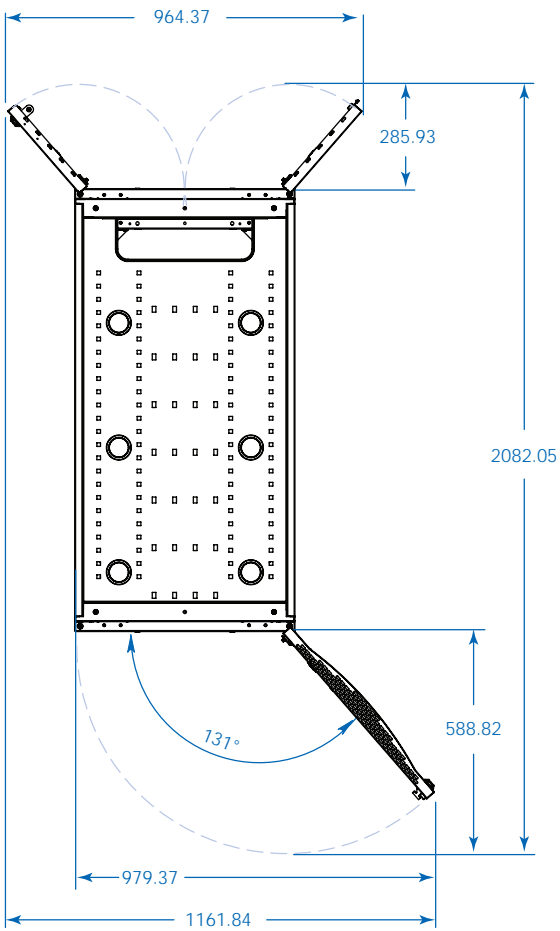


1111 W. 35th Street
Chicago, IL 60609 USA
773.869.1234
www.tripplite.com

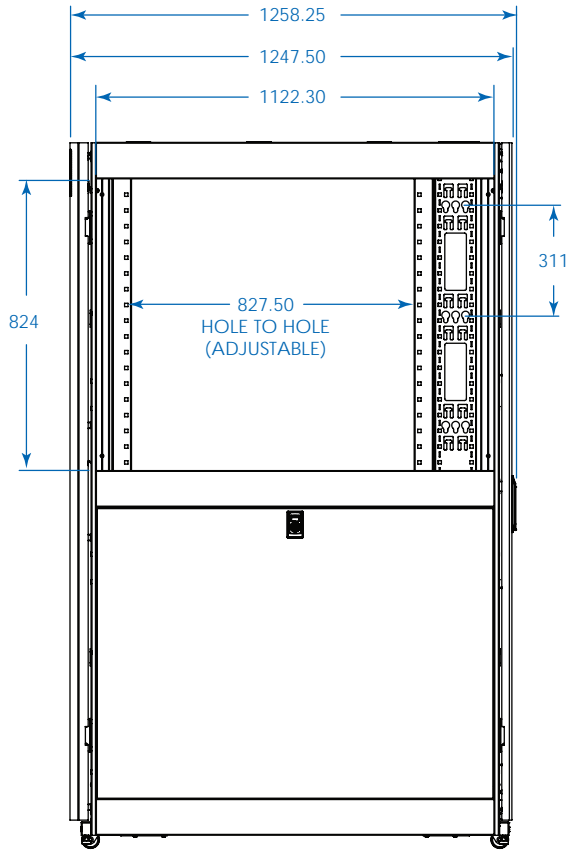


Specifications

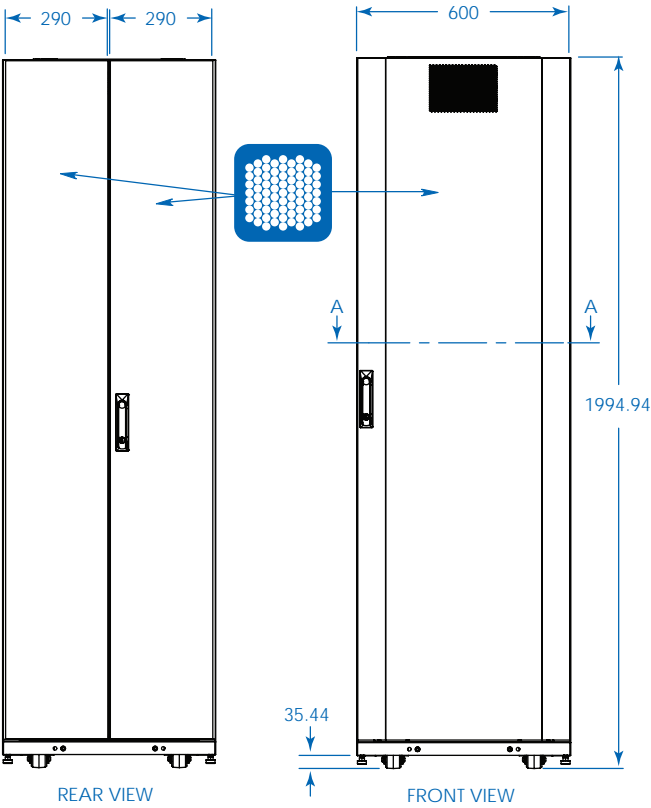
Model	SRX42UBDP
Rack Spaces	42U
Stationary Load Capacity	1360 kg
Rolling Load Capacity	1020 kg
Unit Dimensions (H x W x D)	1994 x 600 x 1219 mm
Shipping Dimensions (H x W x D)	2159 x 660 x 1340 mm
Unit Weight	147 kg
Shipping Weight	163 kg
Standards	UL 60950, IP20; EIA/ECA-310-E, ETSI, RoHS Compliant
Model	SRX42UBDPEXP
	(Identical to SRX42UBDP, but without side panels)
Unit Weight	106 kg
Shipping Weight	123 kg



TOP VIEW

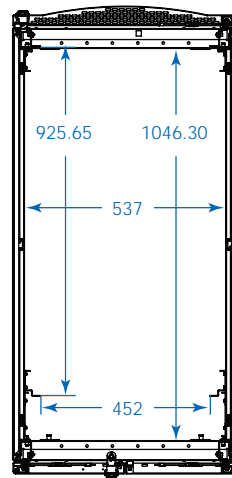


SIDE VIEW



REAR VIEW

FRONT VIEW



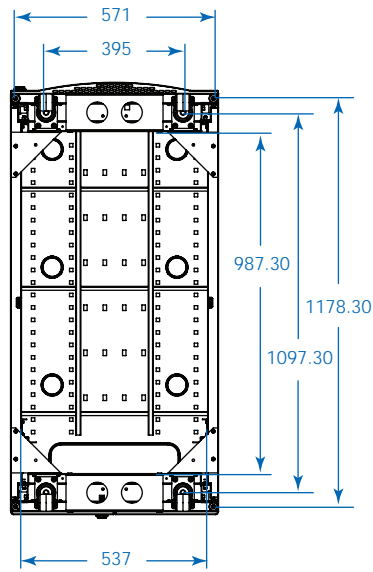
CROSS SECTION A

MODELS:
SRX42UBDP
SRX42UBDPEXP

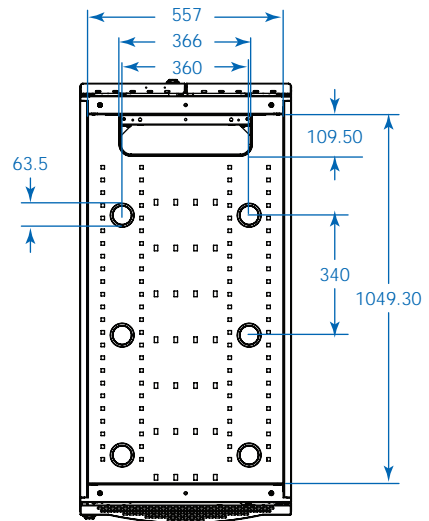


Dimensions: mm

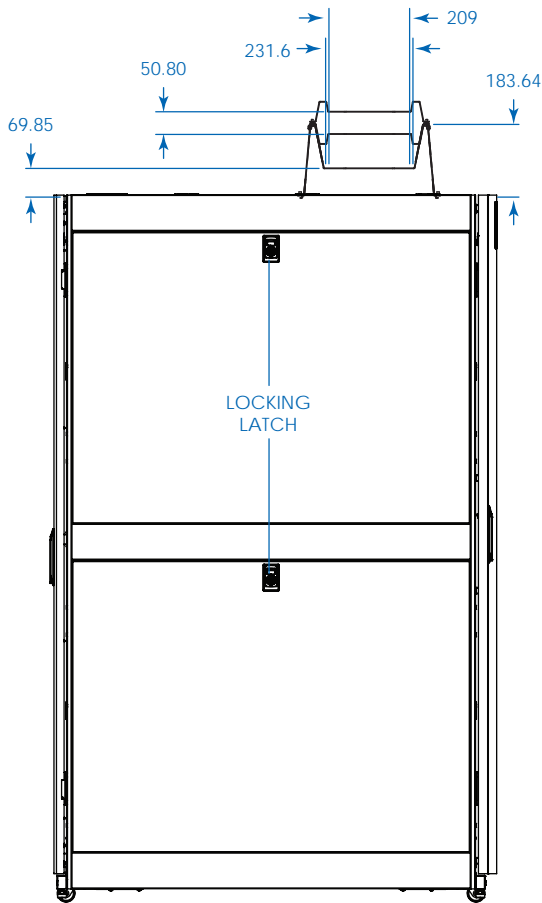
Tripp Lite has a policy of continuous improvement. Specifications are subject to change without notice.



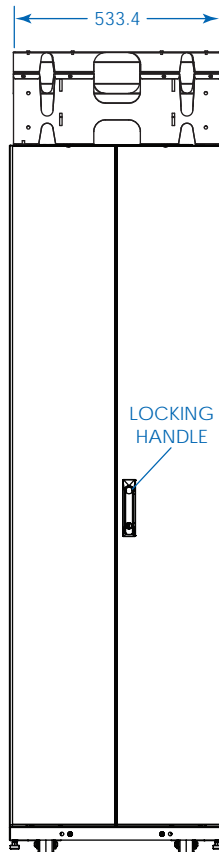
BOTTOM VIEW



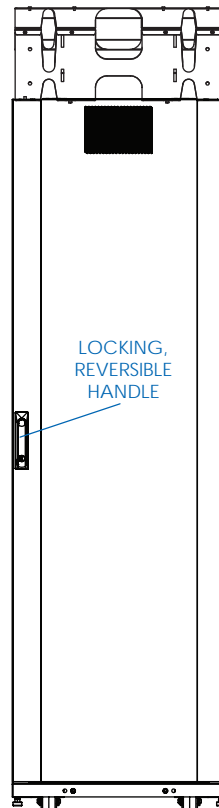
TOP VIEW



SIDE VIEW



REAR VIEW



FRONT VIEW

OPTIONAL SRCABLETRAY AND SRCABLETRAYEXP CABLE MANAGEMENT ACCESSORIES SHOWN (MOUNTING POSITION ADJUSTS TO ACCOMMODATE A WIDE RANGE OF APPLICATIONS)

MODELS:
SRX42UBDP
SRX42UBDPEXP



1111 W. 35th Street
 Chicago, IL 60609 USA
 773.869.1234
 www.tripplite.com

Dimensions: mm

Tripp Lite has a policy of continuous improvement. Specifications are subject to change without notice.