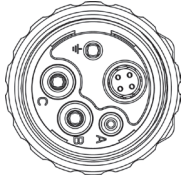


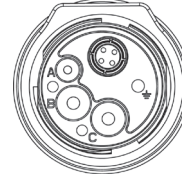
M23 Hybrid Series

STEP 1
Choose Plug

STEP 2
Choose Receptacle



Plugs



Receptacles



MB1WSN8H00



MB1YSN8H00



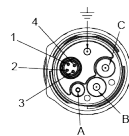
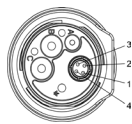
MB3XSN8HS1
MB3XSN8HS2
MB3XSN8HS3



MB3ZSN8HS1
MB3ZSN8HS2
MB3ZSN8HS3

SEE TABLE ON NEXT PAGE FOR PART DETAILS

CONTACTS SOLD SEPARATELY SEE PAGE 107



**8 POSITIONS 18A PE/1A
Signal/0.5A Quadrax / 850V
PE & Signal/ 30V Quadrax**

Number of Contacts: 8 Sealing: IP66/67

Contact Size: 2 Power + PE (2.0mm) + 1 Signal (1.0mm), 4 Quadrax Ethernet Element (.7mm)

AWG: 18-14 (0.75 - 2.5 mm²) / 18-22 (0.75-- 0.37 mm²) / 22-28 (0.37 - 0.10 mm²)

Connector Part Numbers

Part Number	Connector Type	Contact Type male = pin female = socket	Cable Diameter	Amps /Volts	Figure Drawings
MB1WSN8H00	Plug, hybrid, straight, panel mount, threaded	Socket		1A signal, 18A power, 0.5A Quadrax 850V PE & Signal 30V Quadrax	1
MB3XSN8HS1	Plug, hybrid, straight, threaded	Socket	7.5-11.0mm		2
MB3XSN8HS2	Plug, hybrid, straight, threaded	Socket	11.0-14.0mm		2
MB3XSN8HS3	Plug, hybrid, straight, threaded	Socket	14.5-17.0mm		2
MB1YSN8H00	Receptacle, hybrid, straight, panel mount, threaded	Pin		1A signal, 18A power, 0.5A Quadrax 850V PE & Signal 30V Quadrax	3
MB3ZSN8HS1	Receptacle extension, hybrid, threaded	Pin	7.5-11.0mm		4
MB3ZSN8HS2	Receptacle extension, hybrid, threaded	Pin	11.0-14.0mm		4
MB3ZSN8HS3	Receptacle extension, hybrid, threaded	Pin	14.5-17.0mm		4

Contacts supplied separately see page 143

BULK CABLE starts on page 23

Complete datasheets can be found at www.amphenol-sine.com

Style: Pin Number of Contacts: 8 Sealing: IP66/67

Contact Size: 2 Power + PE (2.0mm) + 1 Signal (1.0mm), 4 Quadrax Ethernet Element (.7mm)

AWG: 18-14 (0.75 - 2.5 mm²) / 18-22 (0.75-- 0.37 mm²) / 22--28 (0.37 - 0.10 mm²)

Dimensional Drawings Plugs & Receptacles

Plug, hybrid, straight, panel mount, threaded

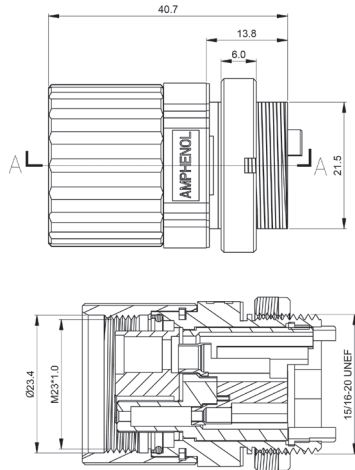


Figure 1

MB1WSN8H00

Plug, hybrid, straight, threaded

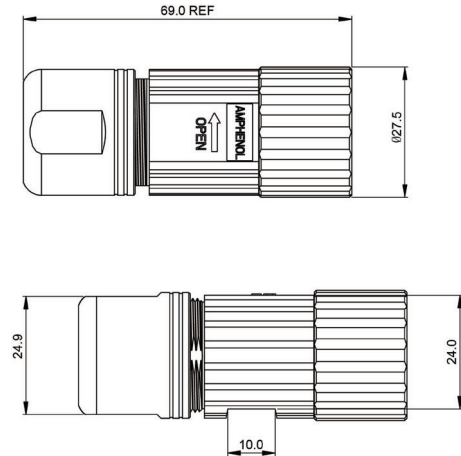


Figure 2

MB3XSN8HS1
MB3XSN8HS2
MB3XSN8HS3

Receptacle, hybrid, straight, panel mount, threaded

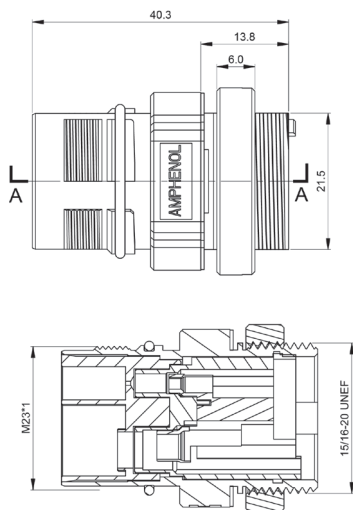


Figure 3

MB1YSN8H00

Receptacle extension, hybrid, threaded

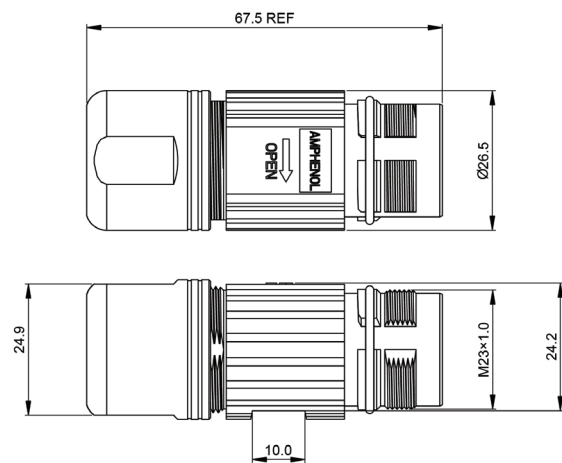
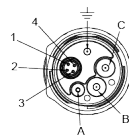
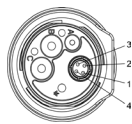


Figure 1

MB3ZSN8HS1
MB3ZSN8HS2
MB3ZSN8HS3



**8 POSITIONS 18A PE/1A
Signal/0.5A Quadrax / 850V
PE & Signal/ 30V Quadrax**

Style: Pin Number of Contacts: 8 Sealing: IP66/67

Contact Size: 2 Power + PE (2.0mm) + 1 Signal (1.0mm), 4 Quadrax Ethernet Element (.7mm)

AWG: 18-14 (0.75 - 2.5 mm²) / 18-22 (0.75-- 0.37 mm²) / 22-28 (0.37 - 0.10 mm²)

Contacts



Hybrid Contacts

Part Number	Pin/Socket	AWG	mm ²	Size	Plating
SC000259	Socket	18-22	0.75 - 0.37	1.0mm	Gold
SC000260	Socket	14-20	2.5 - 0.5	2.0mm	Gold
SC000264	Socket	22-28	0.37 - 0.10	0.7mm	Gold
SC000261	Pin	18-22	0.75 - 0.37	1.0mm	Gold
SC000262	Pin	14-18	2.5 - 0.75	2.0mm	Gold
SC000263	Pin	22-28	0.37 - 0.10	0.7mm	Gold

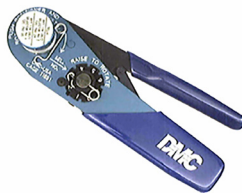
Tools

Universal hand crimp tool. Uses universal positioner part no. UH2-5. Wire crimp range 12-26AWG



AF8

Universal hand crimp tool. Uses universal positioner part no. SK2-2. Wire range 20-32AWG



AFM8

Pneumatic crimp tool. Uses universal positioner part no. SK2-2. Wire range 20-32AWG



WA22

Universal positioner is used with the universal hand crimp tool (AF8). Wire range 12-26AWG



UH2-5

Universal positioner is used with crimp tools AFM8 and WA22. Wire range 20-32AWG



SK2-2

Pneumatic crimp tool. Uses universal positioner part no. WA23-101DA and MFX-3966.



WA23

Die Assembly, Size 10, is used with the Pneumatic crimp tool. WA23



WA23-101DA