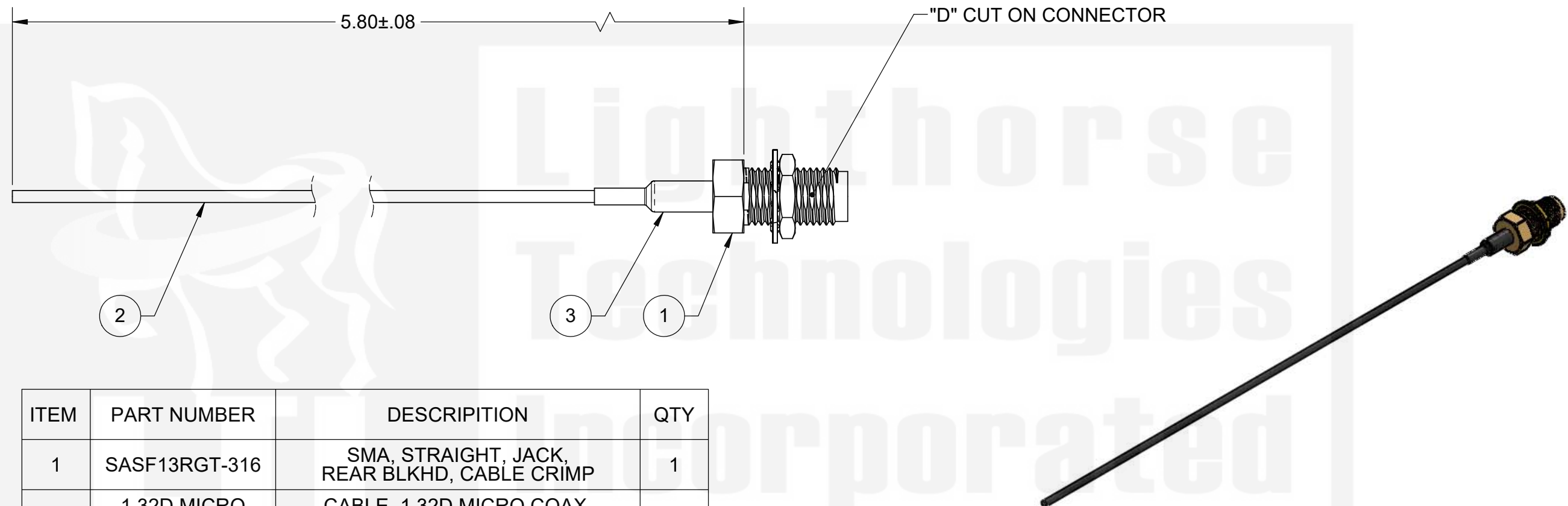


REVISIONS

| REV | ECR | DESCRIPTION | DRAWN | DATE |
|-----|-----|---------------------|-----------|------------|
| 1 | | ENGINEERING RELEASE | M. LARSEN | 03/24/2023 |



| ITEM | PART NUMBER | DESCRIPTION | QTY |
|------|------------------|--|-----|
| 1 | SASF13RGT-316 | SMA, STRAIGHT, JACK, REAR BLKHD, CABLE CRIMP | 1 |
| 2 | 1.32D MICRO COAX | CABLE, 1.32D MICRO COAX, DOUBLE SHIELDED BLACK | AR |
| 3 | HEAT SHRINK | .125 (1/8) DIA, .5 LENGTH, BLACK | 1 |

DO NOT SCALE DRAWING
 TOLERANCES UNLESS OTHERWISE SPECIFIED
 DIMENSIONS ARE IN MILLIMETERS
 X = ±0.5
 X.X = ±0.25
 X.XX = ±0.13
 ANGLE = ±30'



Lighthouse Technologies
 San Diego, CA
 WWW.RFCONNECTOR.COM

TITLE: CABLE ASSEMBLY, CRIMP TO SMA, JACK, BLKHD, TO CUT CABLE USING 1.32D (DBL SHLD) MICRO COAX

| CUSTOMER APPROVAL | |
|-------------------|----------------------|
| SIGN / DATE: | |
| ENG APPR. | |
| CHECKED | |
| DRAWN | M. LARSEN 03/24/2023 |
| NAME | DATE |

| | | |
|------------|------------------------|--------------|
| SIZE | PART/DWG. NO: | REV |
| B | CB1.32D-SAF3GT-C-5.8IN | 1 |
| SCALE: 4:1 | FILE NAME | SHEET 1 OF 1 |

PROPRIETARY AND CONFIDENTIAL
 UNLESS OTHERWISE SPECIFIED: THIS DOCUMENT CONTAINS LIGHTHORSE TECHNOLOGIES INFORMATION. REPRODUCTION, USE, DISCLOSURE OR TRANSMITTAL OF ALL OR ANY PART OF THIS DOCUMENT IS PROHIBITED EXCEPT TO THE EXTENT APPROVED IN WRITING BY AN AUTHORIZED REPRESENTATIVE OF LIGHTHORSE TECHNOLOGIES. LIGHTHORSE TECHNOLOGIES RESERVES ALL RIGHTS UNDER PATENTS, TRADEMARKS, COPYRIGHTS AND TRADE SECRETS. COPY RIGHTS OF LIGHTHORSE TECHNOLOGIES 2011, ALL RIGHTS RESERVED.

