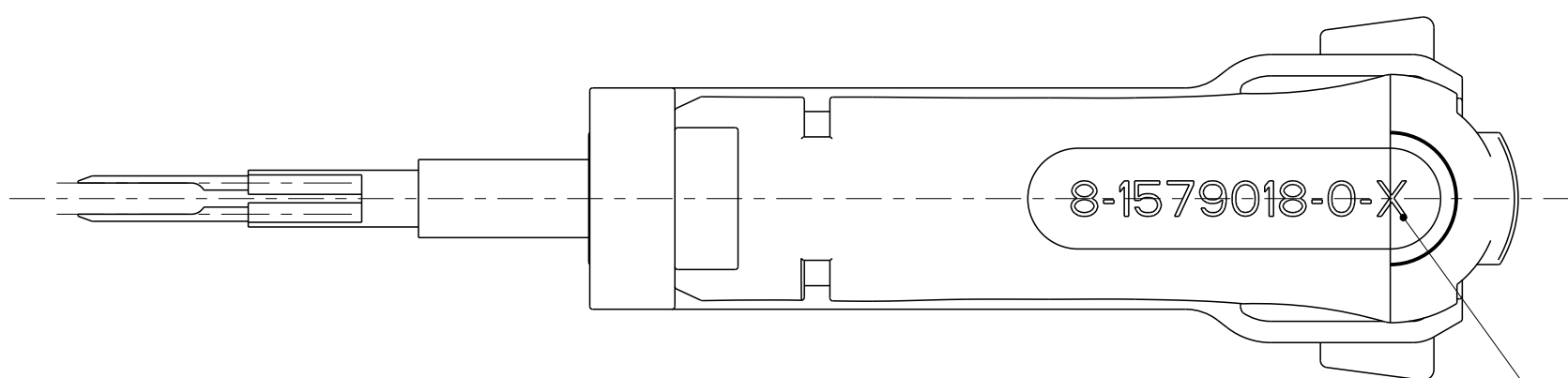
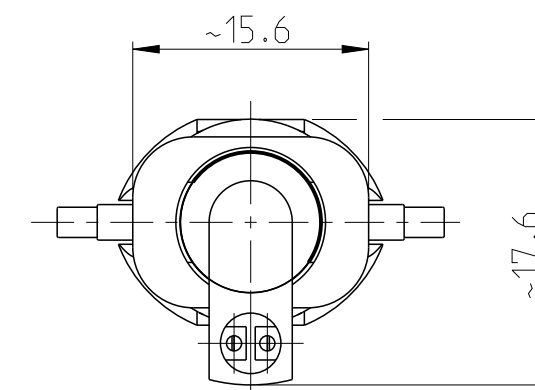
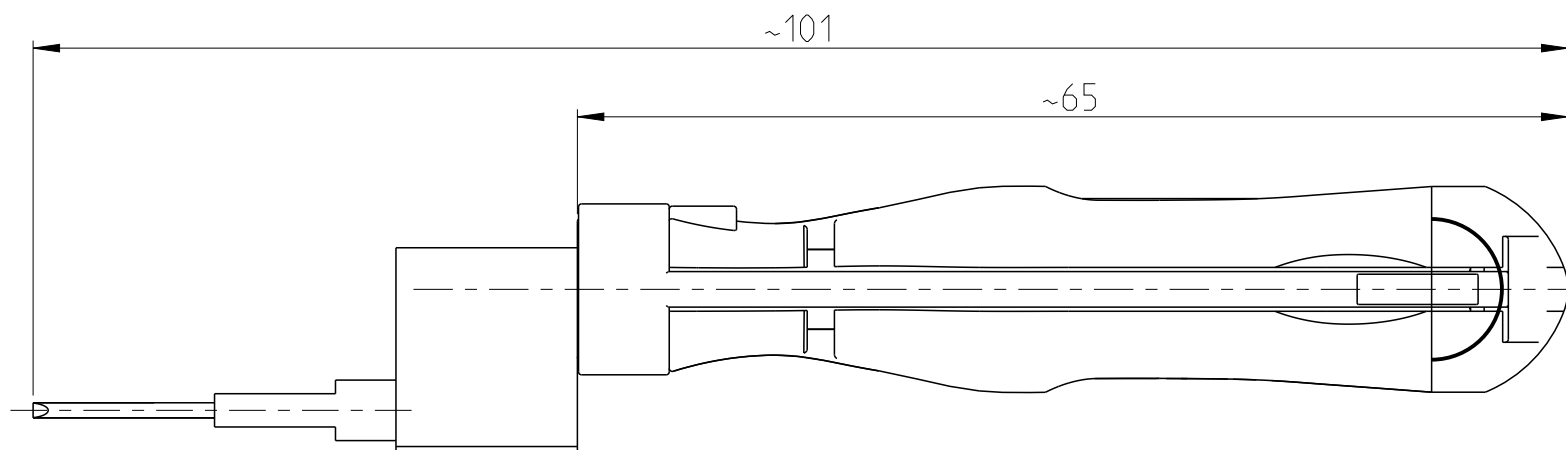
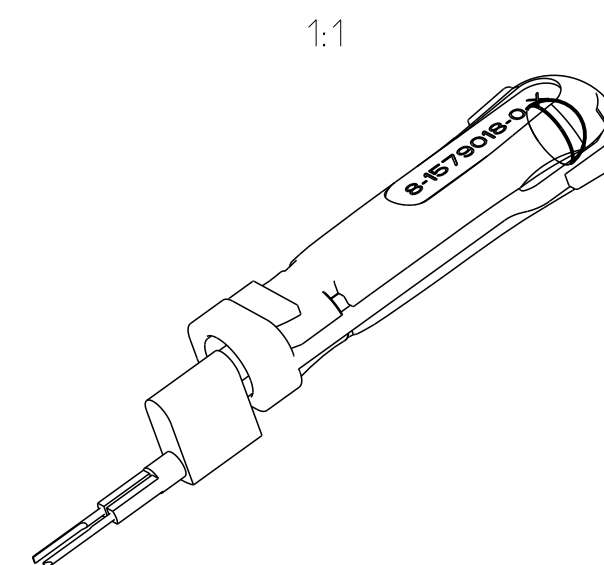


REVISIONS

P	LTR	DESCRIPTION	DATE	DWN	APVD
	A	INITIAL REVISION	18MAY10	SA	GS



Aktuelle Revision/
Current Revision



APPLICATION RANGE / Anwendungsbereich

56 Pos. TAB Housing: 1563208

THIS DRAWING IS A CONTROLLED DOCUMENT.		DWN	S. Samstag		18MAY2010	TE TE Connectivity	
DIMENSIONS: mm		CHK	-		APVD		
TOLERANCES UNLESS OTHERWISE SPECIFIED:		PRODUCT SPEC		NAME		EXTRACTION TOOL Entriegelungswerkzeug	
0 PLC ±		APPLICATION SPEC		SIZE		RESTRICTED TO	
1 PLC ±		-		CAGE CODE		-	
2 PLC ±		-		DRAWING NO		-	
3 PLC ±		-		A3		-	
4 PLC ±		-		00779		-	
ANGLES ±1°		WEIGHT		C-8-1579018-0		-	
FINISH		18g		SCALE		2:1	
-		-		SHEET		1 OF 1	
-		-		REV		A	
-		-		CUSTOMER DRAWING		-	