

注記 NOTES

- ① 材料及び仕上げ (めっき仕様) : TABLE 1, TABLE 2
MATERIAL AND FINISHES(PLATING SPECIFICATION)
: SEE TABLE 1, TABLE 2
- ② 嵌合相手 : 505565シリーズ
MATE WITH: 505565SERIES
- ③ 偶数極 に適用
APPLY TO EVEN CIRCUIT.
- 4. 製品仕様書 : 5055650002 PS 000
PRODUCT SPECIFICATION:5055650002 PS 000
- ⑤ 発注番号 : SHEET 5 参照
ORDER NUMBER : PLEASE REFER TO SHEET 5

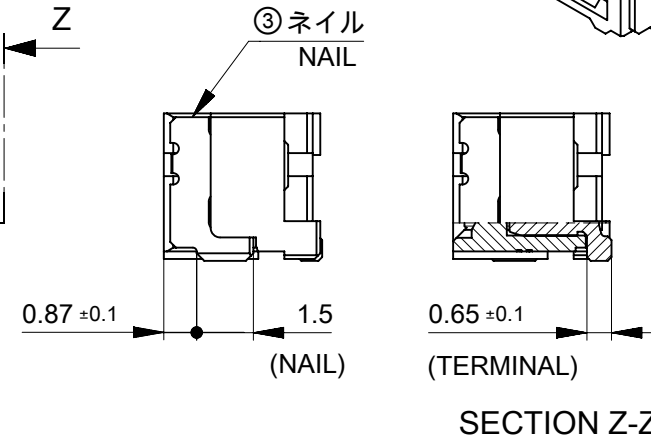
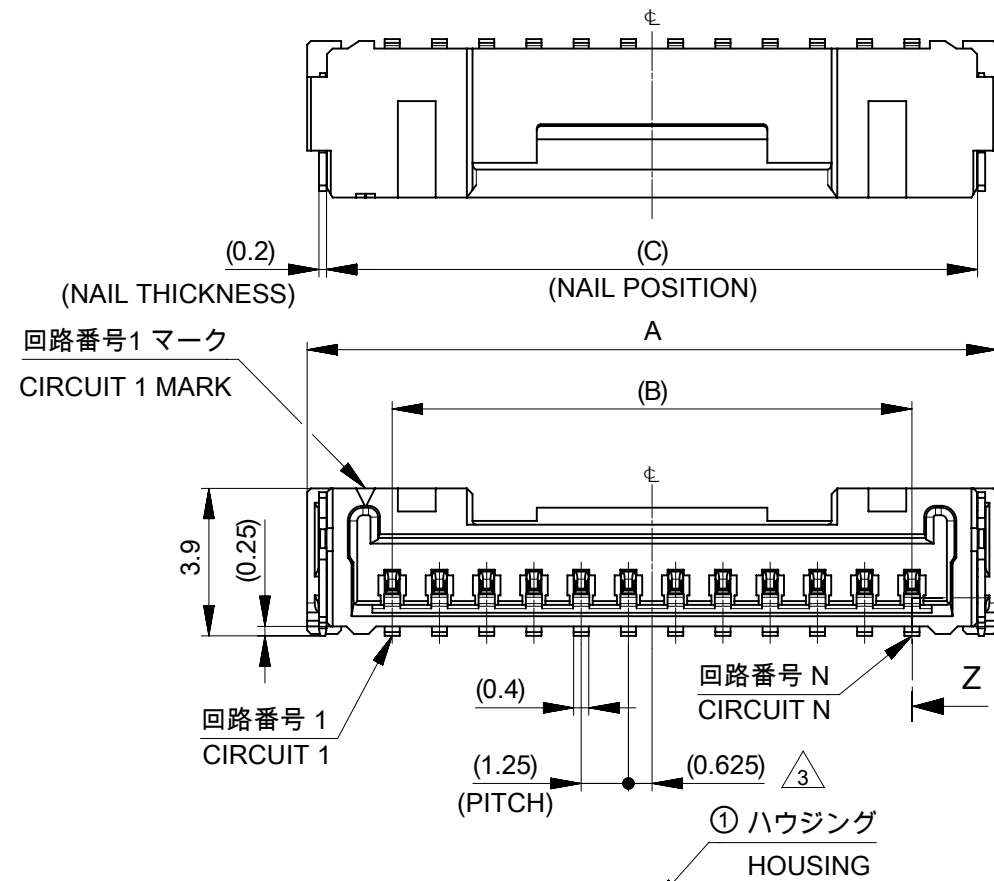
505567 ***

極数
CIRCUIT SIZE

| 番号 NO. | 接点部 金めっき厚 CONTACT GOLD PLATING THICKNESS [MICROMETER MINIMUM] |
|-----------|--|
| 8 | 0.1 |
| 3 | 0.38 |
| 5 | 0.76 |

| 番号 NO. | ハウジングカラー HOUSING COLOR |
|-----------|-------------------------------|
| 0 | ナチュラル(ベージュ) NATURAL(BEIGE) |
| 1 | 黒 BLACK |
| 2 | 赤 RED |
| 3 | 黄 YELLOW |
| 4 | 青 BLUE |
| 6 | 緑 GREEN |
| 8 | 橙 ORANGE |

- 6. ターミナルとネイルの平坦度は0.1mm以下
TERMINAL AND NAIL COPLANARITY : 0.1mm MAXIMUM.
- 7. コネクタ取扱説明書 : 5055650000-AS PS 000
APPLICATION SPECIFICATION : 5055650000-AS PS 000



奇数キャビティ : キャビティ番号及び金型番号
偶数キャビティ : トレードマーク
ODD CAVITY:CAVITY AND MOLD NUMBER
EVEN CAVITY:TRADE MARK

奇数キャビティ : トレードマーク
偶数キャビティ : キャビティ番号及び金型番号
ODD CAVITY:TRADE MARK
EVEN CAVITY:CAVITY AND MOLD NUMBER

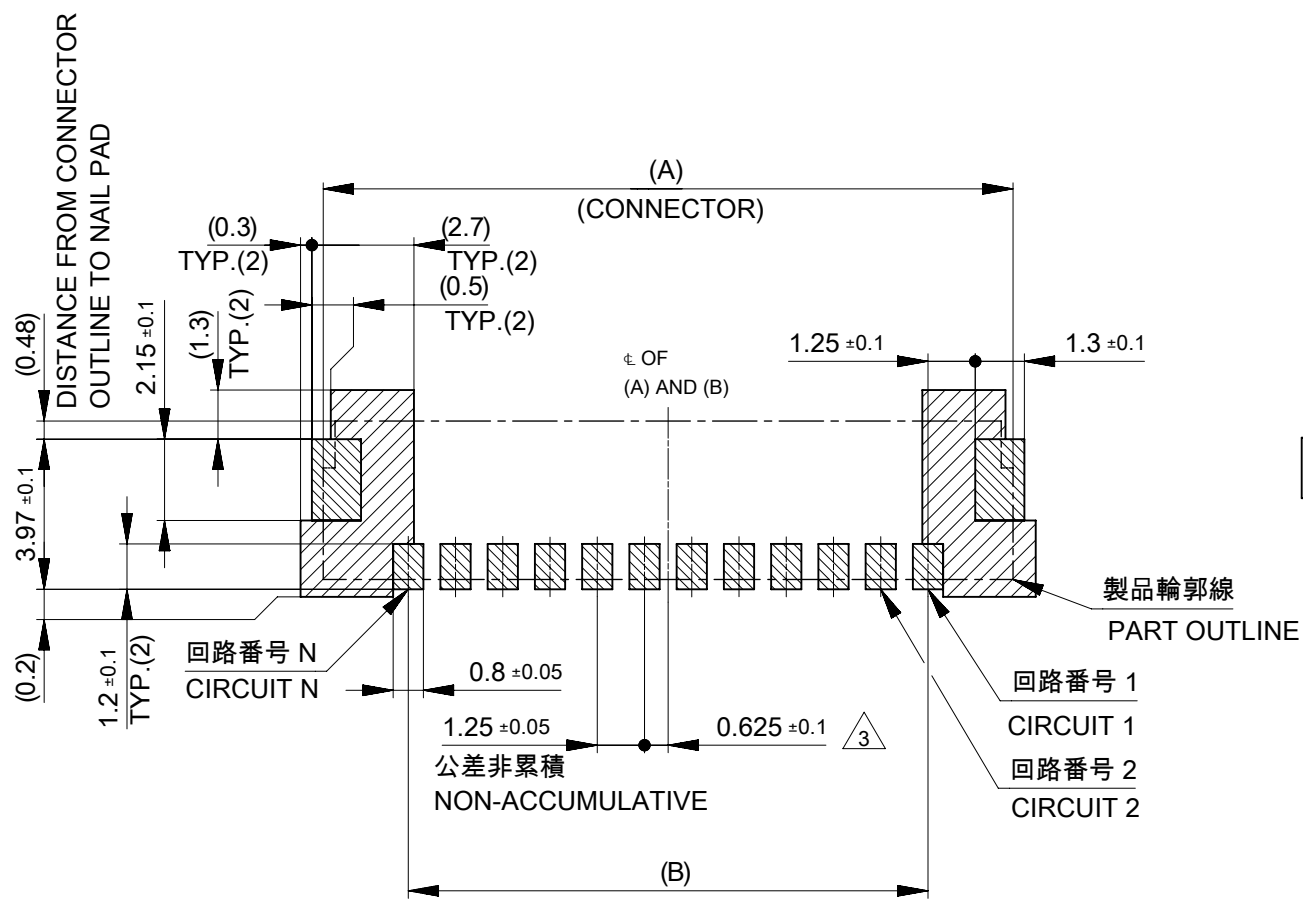
① TABLE 1

| 番号 NO. | 部品 PART | 材質 MATERIAL |
|-----------|-------------------|---|
| ① | ハウジング HOUSING | ポリアミド(PA),ガラス充填,UL94 V-0,色 : SHEET 5参照 POLYAMIDE (PA),GLASS FILLED,UL94 V-0,COLOR:SEE SHEET 5 |
| ② | ターミナル TERMINAL | 黄銅 BRASS |
| | | 接点部 : 金めっき めっき厚は注記5参照 CONTACT : GOLD PLATING PLATING THICKNESS : SEE NOTE 5. ニッケルめっき(下地めっき) : 1.0 MICROMETER MINIMUM NICKEL PLATING (UNDER PLATING) |
| ③ | ネイル NAIL | 黄銅 BRASS |
| | | 錫めっき : 1.0 MICROMETER MINIMUM MATTE TIN PLATING ニッケルめっき(下地めっき) : 1.0 MICROMETER MINIMUM NICKEL PLATING (UNDER PLATING) |

| | | | | | | | | | |
|------|------|------|------------------------------------|------|-------|-------|-------|--------------------|---|
| 49.4 | 45.4 | 20.2 | 44±0.3 | 10.7 | 22.2 | 18.75 | 23.25 | 16 | |
| | | | | | 20.95 | 17.5 | 22 | 15 | |
| | | | | | 19.7 | 16.25 | 20.75 | 14 | |
| 37.4 | 33.4 | 14.2 | 32±0.3 | 9.2 | 18.45 | 15 | 19.5 | 13 | |
| | | | | | 17.2 | 13.75 | 18.25 | 12 | |
| | | | | | 15.95 | 12.5 | 17 | 11 | |
| | | | | | 14.7 | 11.25 | 15.75 | 10 | |
| 29.4 | 25.4 | 11.5 | 24 ^{+0.3} _{-0.1} | 6.7 | 13.45 | 10 | 14.5 | 9 | |
| | | | | | 12.2 | 8.75 | 13.25 | 8 | |
| | | | | | 10.95 | 7.5 | 12 | 7 | |
| | | | | | 6.6 | 9.7 | 6.25 | 10.75 | 6 |
| | | | | | 5.35 | 8.45 | 5 | 9.5 | 5 |
| 21.4 | 17.4 | 7.5 | 16 ^{+0.3} _{-0.1} | 2.85 | 8.45 | 5 | 9.5 | 5 | |
| | | | | | 4.1 | 7.2 | 3.75 | 8.25 | 4 |
| | | | | | 2.85 | 5.95 | 2.5 | 7 | 3 |
| H | G | F | E | D | C | B | A | 極数 CIRCUIT SIZE | |
| | | | | | | | | 2 | |

THIS DRAWING CONTAINS INFORMATION THAT IS PROPRIETARY TO MOLEX ELECTRONIC TECHNOLOGIES, LLC AND SHOULD NOT BE USED WITHOUT WRITTEN PERMISSION

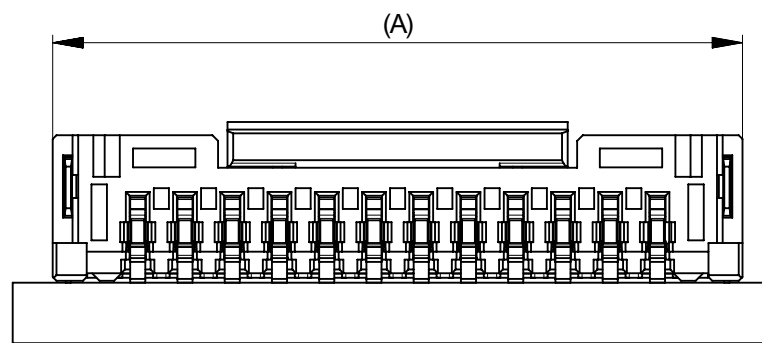
| | | | | | |
|--|----------------|-------------------|----------------------------|--|--|
| DIMENSION UNITS mm | SCALE NTS | CURRENT REV DESC: | molex | | |
| GENERAL TOLERANCES (UNLESS SPECIFIED) | | EC NO: 736271 | | | |
| ANGULAR TOL ± 3.0° | 4 PLACES ± 0.2 | DRWN: SOKUMURA01 | PRODUCT CUSTOMER DRAWING | | |
| 3 PLACES ± 0.2 | 2 PLACES ± 0.2 | CHK'D: SAKIYAMA | DOCUMENT NUMBER | | |
| 2 PLACES ± 0.2 | 1 PLACE ± 0.2 | APPR: AIDA | DOC TYPE DOC PART REVISION | | |
| 1 PLACE ± 0.2 | 0 PLACES ± 0.2 | INITIAL REVISION: | 5055670010-SD | | |
| DRAFT WHERE APPLICABLE MUST REMAIN WITHIN DIMENSIONS | | DRWN: RWATANABE01 | SEE SHEET 5 | | |
| THIRD ANGLE PROJECTION | | APPR: TKANEKO | GENERAL | | |
| DRAWING | | SERIES | SHEET NUMBER | | |
| A3-SIZE | | 505567 | 1 OF 5 | | |



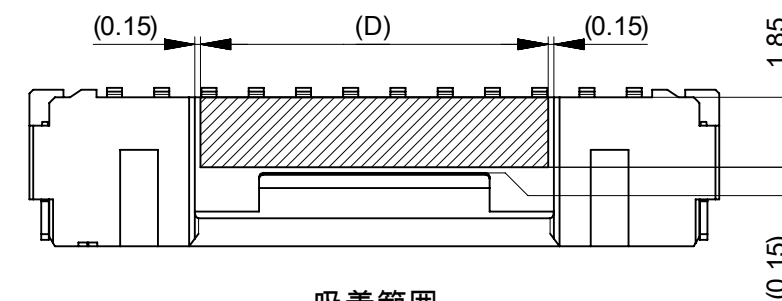
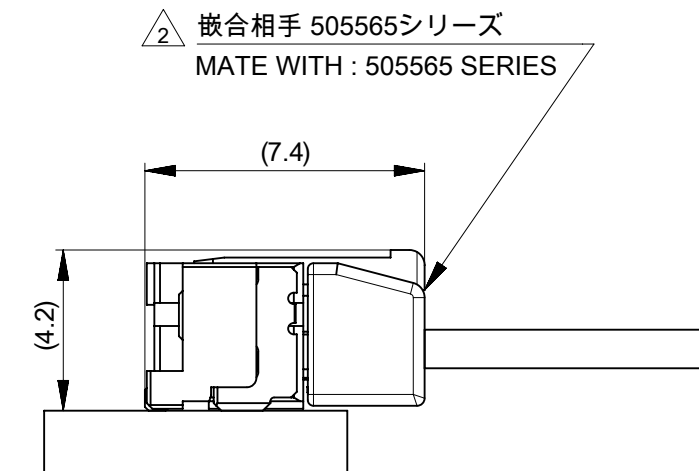
推奨基板レイアウト
RECOMMENDED PCB PATTERN LAYOUT

(参考: 基板厚1.6mm, メタルマスク厚さ 0.15mm, マスク開口率 100%)
 (REFERENCE: PCB THICKNESS 1.6mm, STENCIL THICKNESS 0.15mm, APERTURE RATIO 100%)

パターン非推奨エリア
 パターンを引き回す際は、製品機能に影響がないことをご確認ください。
 PATTERN IS NOT RECOMMENDED ON THE HATCHING AREA
 PLEASE CHECK NOT TO HAVE PROBLEM FOR PRODUCT FUNCTION
 WHEN SETTING PATTERN ON THE HATCHING AREA.



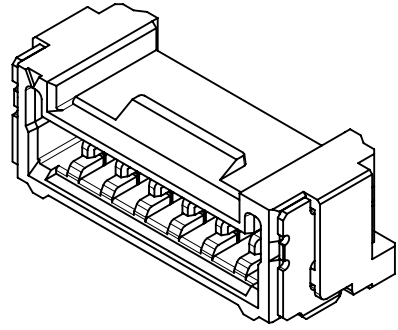
嵌合状態図
MATED CONNECTORS



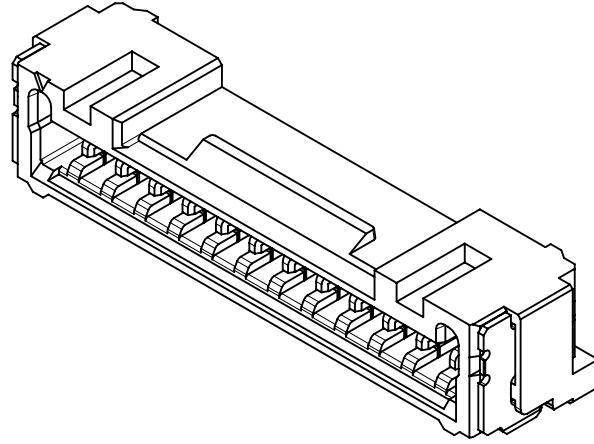
吸着範囲
SUCTION AREA

| | | | | | | | | | |
|---|--|------------------------|--|--|--|-------------|--|-----------------|--|
| THIS DRAWING CONTAINS INFORMATION THAT IS PROPRIETARY TO MOLEX ELECTRONIC TECHNOLOGIES, LLC AND SHOULD NOT BE USED WITHOUT WRITTEN PERMISSION | | | | | | | | | |
| DIMENSION UNITS | | SCALE | | CURRENT REV DESC: | | | | | |
| mm | | NTS | | molex MICRO-LOCK PLUS 1.25 W/B SINGLE ROW RIGHT ANGLE SMT PLUG ASSEMBLY GOLD PLATING PRODUCT CUSTOMER DRAWING | | | | | |
| GENERAL TOLERANCES (UNLESS SPECIFIED) | | | | | | | | | |
| ANGULAR TOL ± 3.0 ° | | | | | | | | | |
| 4 PLACES | | ± 0.2 | | | | | | | |
| 3 PLACES | | ± 0.2 | | | | | | | |
| 2 PLACES | | ± 0.2 | | | | | | | |
| 1 PLACE | | ± 0.2 | | EC NO: 736271 | | 2022/12/27 | | DOCUMENT NUMBER | |
| 0 PLACES | | ± 0.2 | | DRWN: SOKUMURA01 | | 2023/02/16 | | 5055670010-SD | |
| DRAFT WHERE APPLICABLE MUST REMAIN WITHIN DIMENSIONS | | THIRD ANGLE PROJECTION | | DRAWING | | SERIES | | MATERIAL NUMBER | |
| | | A3-SIZE | | 505567 | | 2017/11/28 | | CUSTOMER | |
| | | | | 2017/12/06 | | GENERAL | | SHEET NUMBER | |
| | | | | | | SEE SHEET 5 | | 2 OF 5 | |

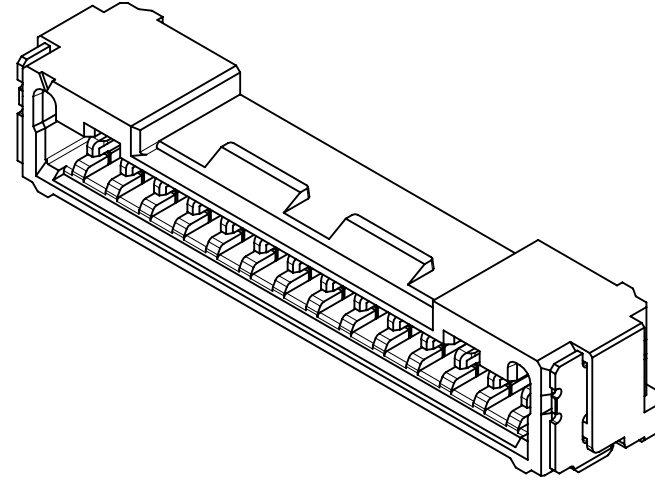
製品形状
PRODUCT SHAPE



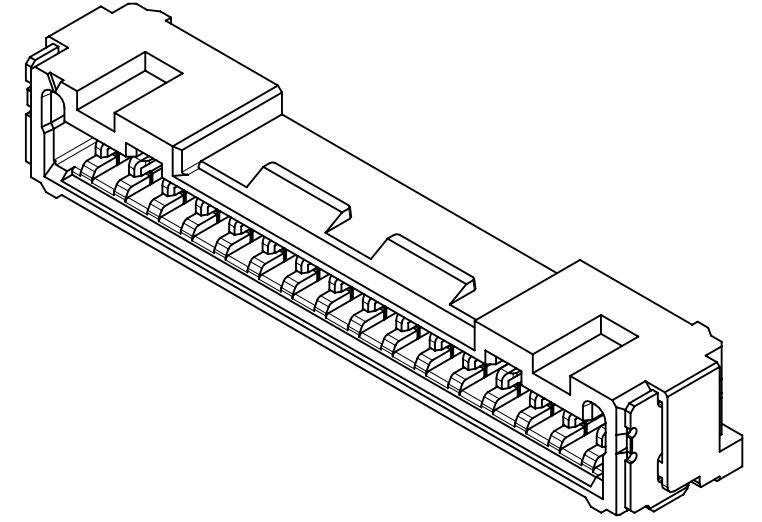
2-11極
2-11 CIRCUIT



12-13極
12-13 CIRCUIT

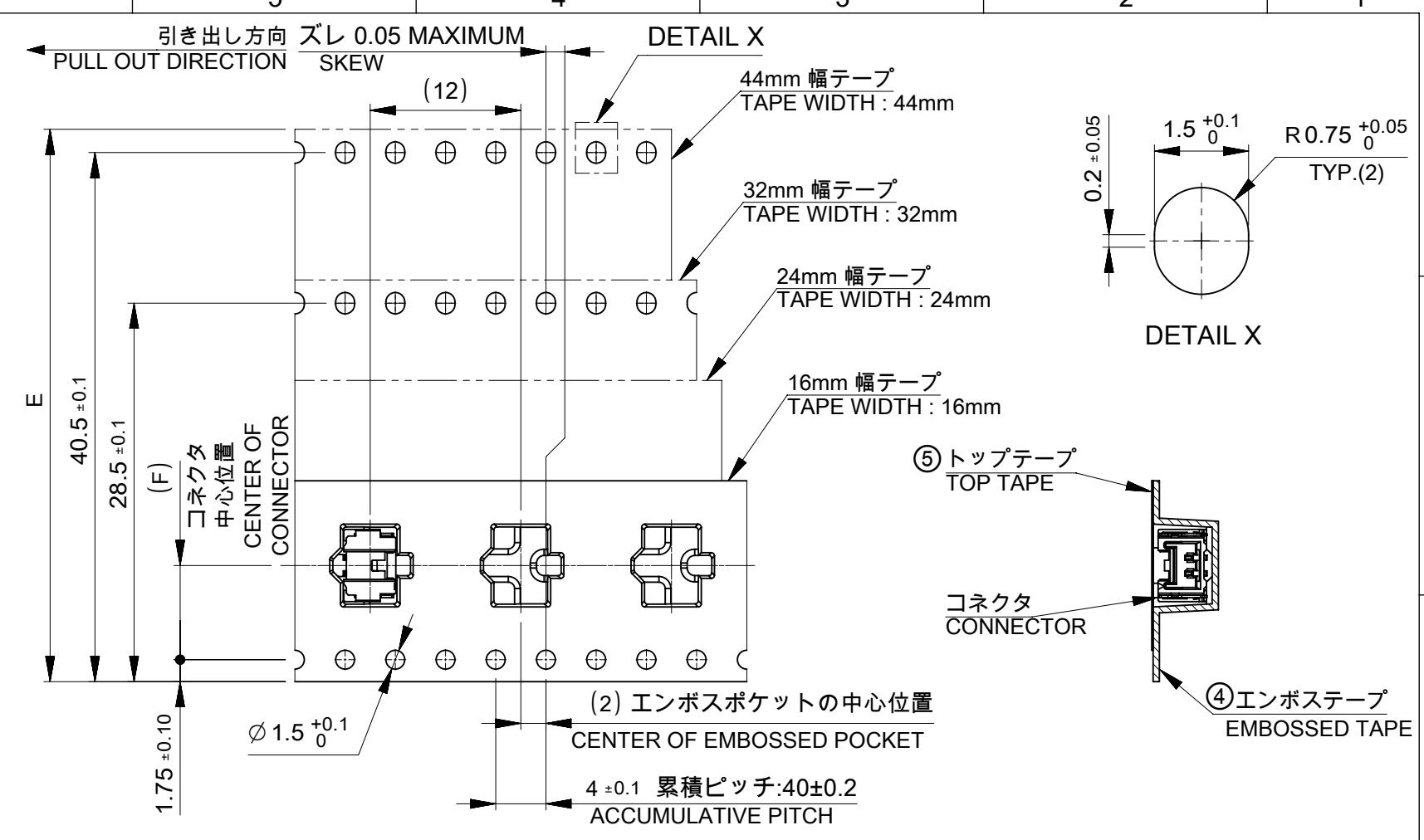
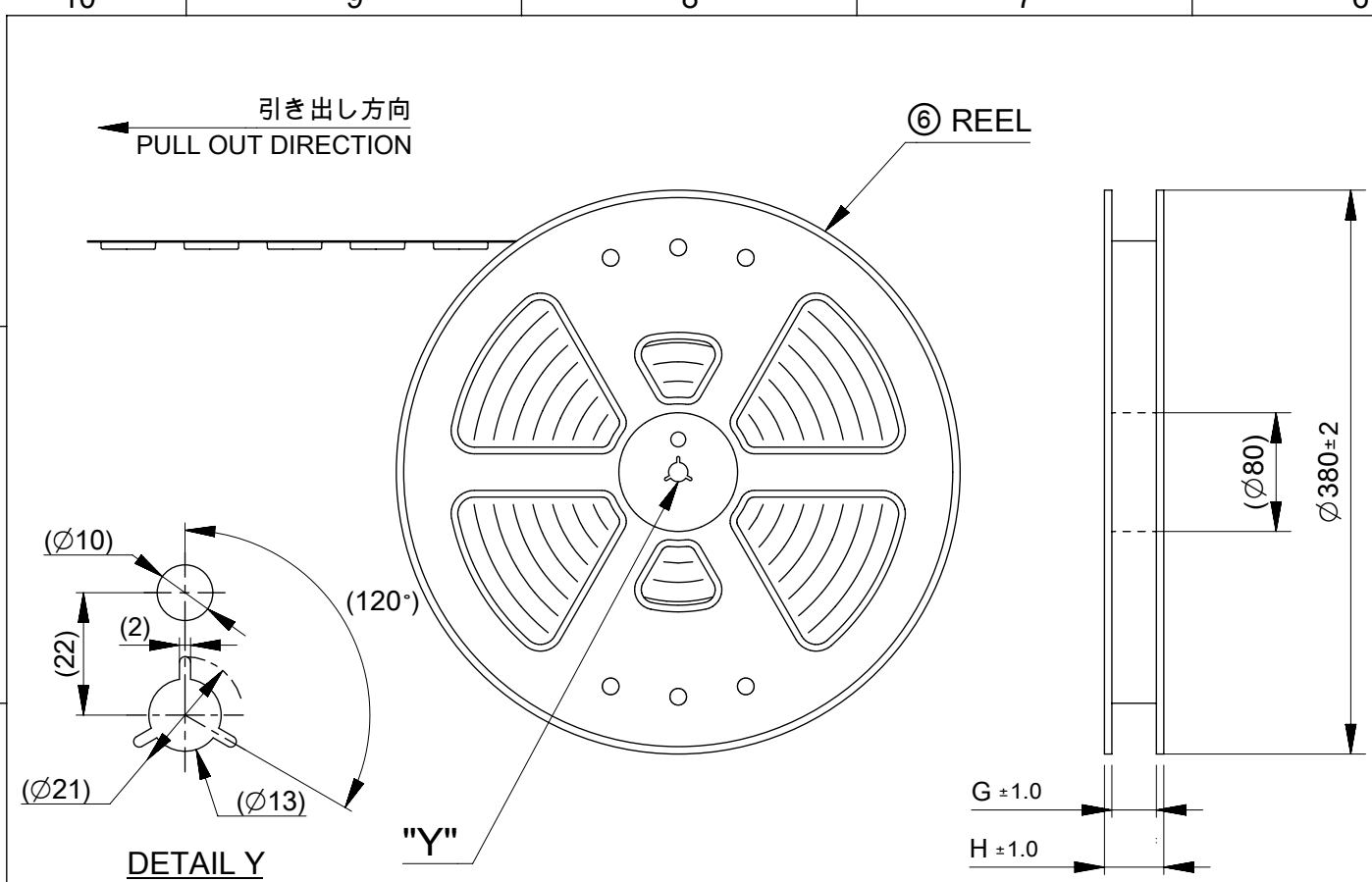


14極
14 CIRCUIT



15-16極
15-16 CIRCUIT

| | | | | | | | | | | | | | |
|---|--|--|--|--|--|--|--|--------------------------|--|---------------|--|----------|--|
| THIS DRAWING CONTAINS INFORMATION THAT IS PROPRIETARY TO MOLEX ELECTRONIC TECHNOLOGIES, LLC AND SHOULD NOT BE USED WITHOUT WRITTEN PERMISSION | | | | | | | | | | | | | |
| DIMENSION UNITS | | SCALE | | CURRENT REV DESC: | | | | | | | | | |
| mm | | NTS | | | | | | | | | | | |
| GENERAL TOLERANCES (UNLESS SPECIFIED) | | | | EC NO: 736271 DRWN: SOKUMURA01 2022/12/27 CHK'D: SAKIYAMA 2023/02/16 APPR: AIDA 2023/02/16 INITIAL REVISION: DRWN: RWATANABE01 2017/11/28 APPR: TKANEKO 2017/12/06 | | | | MICRO-LOCK PLUS 1.25 W/B | | SHEET NUMBER | | | |
| ANGULAR TOL ± 3.0 ° | | | | | | | | PRODUCT CUSTOMER DRAWING | | DOC TYPE | | DOC PART | |
| 4 PLACES ± 0.2 | | 3 PLACES ± 0.2 | | | | | | 2 PLACES ± 0.2 | | 1 PLACE ± 0.2 | | REVISION | |
| 0 PLACES ± 0.2 | | DRAFT WHERE APPLICABLE MUST REMAIN WITHIN DIMENSIONS | | | | | | THIRD ANGLE PROJECTION | | DRAWING | | SERIES | |
| DOCUMENT NUMBER | | CUSTOMER | | | | | | MATERIAL NUMBER | | SHEET NUMBER | | | |
| 5055670010-SD | | GENERAL | | | | | | SEE SHEET 5 | | A3-SIZE | | 3 OF 5 | |



注記 NOTES

- 8. 梱包数量 : 1200個 / リール
NUMBER OF CONNECTORS : 1200 PCS/REEL.
- 9. リードテープ長さ LEAD TAPE LENGTH.
- 10. トップテープの剥離強度はIEC60286-3に準拠
TOP TAPE PEELING FORCE IS DEFINED BY IEC60286-3.
- 11. 梱包仕様書 : 5055679200 PS 200
PACKING SPECIFICATION : 5055679200 PS 200

TABLE 2

| 番号 NO. | 部品 PART | 材質 MATERIAL |
|--------|---------------------------|--|
| ④ | エンボステープ EMBOSSSED TAPE | ポリスチレン(PS) POLYSTYRENE(PS) |
| ⑤ | トップテープ TOP TAPE | ポリエチレン(PE), その他 POLYETHYLENE(PE), ETC |
| ⑥ | リール REEL | ポリスチレン(PS) <リサイクル材を含む> POLYSTYRENE(PS) < RECYCLE MATERIAL CONTAINED > |

| | | | | | |
|---|--------------|--|---------|--|----------|
| THIS DRAWING CONTAINS INFORMATION THAT IS PROPRIETARY TO MOLEX ELECTRONIC TECHNOLOGIES, LLC AND SHOULD NOT BE USED WITHOUT WRITTEN PERMISSION | | CURRENT REV DESC: | | molex | |
| DIMENSION UNITS mm | SCALE NTS | | | | |
| GENERAL TOLERANCES (UNLESS SPECIFIED) | | EC NO: 736271 | | MICRO-LOCK PLUS 1.25 W/B SINGLE ROW RIGHT ANGLE SMT PLUG ASSEMBLY GOLD PLATING | |
| ANGULAR TOL | ± 3.0 ° | 4 PLACES | ± 0.2 | PRODUCT CUSTOMER DRAWING | |
| DRWN: | SOKUMURA01 | 3 PLACES | ± 0.2 | DOCUMENT NUMBER | |
| CHK'D: | SAKIYAMA | 2 PLACES | ± 0.2 | 5055670010-SD | |
| APPR: | AIDA | 1 PLACE | ± 0.2 | DOC TYPE | DOC PART |
| INITIAL REVISION: | | 0 PLACES | ± 0.2 | PSD | 000 |
| DRWN: | RWATANABE01 | DRAFT WHERE APPLICABLE MUST REMAIN WITHIN DIMENSIONS | | REVISION | D |
| APPR: | TKANEKO | THIRD ANGLE PROJECTION | DRAWING | SHEET NUMBER | |
| SERIES | | A3-SIZE | 505567 | 4 OF 5 | |
| MATERIAL NUMBER | | CUSTOMER | | | |
| SEE SHEET 5 | | GENERAL | | | |

△ 505567**8*発注番号一覧 ORDER NUMBER LIST


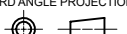
| ORANGE | GREEN | BLUE | YELLOW | RED | BLACK | NATURAL (BEIGE) | HOUSING COLOR |
|--|------------|------------|------------|------------|------------|-----------------|--------------------|
| 5055671688 | 5055671686 | 5055671684 | 5055671683 | 5055671682 | 5055671681 | 5055671680 | 16 |
| 5055671588 | 5055671586 | 5055671584 | 5055671583 | 5055671582 | 5055671581 | 5055671580 | 15 |
| 5055671488 | 5055671486 | 5055671484 | 5055671483 | 5055671482 | 5055671481 | 5055671480 | 14 |
| 5055671388 | 5055671386 | 5055671384 | 5055671383 | 5055671382 | 5055671381 | 5055671380 | 13 |
| 5055671288 | 5055671286 | 5055671284 | 5055671283 | 5055671282 | 5055671281 | 5055671280 | 12 |
| 5055671188 | 5055671186 | 5055671184 | 5055671183 | 5055671182 | 5055671181 | 5055671180 | 11 |
| 5055671088 | 5055671086 | 5055671084 | 5055671083 | 5055671082 | 5055671081 | 5055671080 | 10 |
| 5055670988 | 5055670986 | 5055670984 | 5055670983 | 5055670982 | 5055670981 | 5055670980 | 9 |
| 5055670888 | 5055670886 | 5055670884 | 5055670883 | 5055670882 | 5055670881 | 5055670880 | 8 |
| 5055670788 | 5055670786 | 5055670784 | 5055670783 | 5055670782 | 5055670781 | 5055670780 | 7 |
| 5055670688 | 5055670686 | 5055670684 | 5055670683 | 5055670682 | 5055670681 | 5055670680 | 6 |
| 5055670588 | 5055670586 | 5055670584 | 5055670583 | 5055670582 | 5055670581 | 5055670580 | 5 |
| 5055670488 | 5055670486 | 5055670484 | 5055670483 | 5055670482 | 5055670481 | 5055670480 | 4 |
| 5055670388 | 5055670386 | 5055670384 | 5055670383 | 5055670382 | 5055670381 | 5055670380 | 3 |
| 5055670288 | 5055670286 | 5055670284 | 5055670283 | 5055670282 | 5055670281 | 5055670280 | 2 |
| 発注番号 : ORDER NUMBER | | | | | | | 極数 CIRCUIT SIZE |
| 梱包形態 : エンボステープ梱包 PACKAGING : EMBOSSED TAPE AND REEL | | | | | | | |

△ 505567**5*発注番号一覧 ORDER NUMBER LIST

| ORANGE | GREEN | BLUE | YELLOW | RED | BLACK | NATURAL (BEIGE) | HOUSING COLOR |
|--|------------|------------|------------|------------|------------|-----------------|--------------------|
| 5055671658 | 5055671656 | 5055671654 | 5055671653 | 5055671652 | 5055671651 | 5055671650 | 16 |
| 5055671558 | 5055671556 | 5055671554 | 5055671553 | 5055671552 | 5055671551 | 5055671550 | 15 |
| 5055671458 | 5055671456 | 5055671454 | 5055671453 | 5055671452 | 5055671451 | 5055671450 | 14 |
| 5055671358 | 5055671356 | 5055671354 | 5055671353 | 5055671352 | 5055671351 | 5055671350 | 13 |
| 5055671258 | 5055671256 | 5055671254 | 5055671253 | 5055671252 | 5055671251 | 5055671250 | 12 |
| 5055671158 | 5055671156 | 5055671154 | 5055671153 | 5055671152 | 5055671151 | 5055671150 | 11 |
| 5055671058 | 5055671056 | 5055671054 | 5055671053 | 5055671052 | 5055671051 | 5055671050 | 10 |
| 5055670958 | 5055670956 | 5055670954 | 5055670953 | 5055670952 | 5055670951 | 5055670950 | 9 |
| 5055670858 | 5055670856 | 5055670854 | 5055670853 | 5055670852 | 5055670851 | 5055670850 | 8 |
| 5055670758 | 5055670756 | 5055670754 | 5055670753 | 5055670752 | 5055670751 | 5055670750 | 7 |
| 5055670658 | 5055670656 | 5055670654 | 5055670653 | 5055670652 | 5055670651 | 5055670650 | 6 |
| 5055670558 | 5055670556 | 5055670554 | 5055670553 | 5055670552 | 5055670551 | 5055670550 | 5 |
| 5055670458 | 5055670456 | 5055670454 | 5055670453 | 5055670452 | 5055670451 | 5055670450 | 4 |
| 5055670358 | 5055670356 | 5055670354 | 5055670353 | 5055670352 | 5055670351 | 5055670350 | 3 |
| 5055670258 | 5055670256 | 5055670254 | 5055670253 | 5055670252 | 5055670251 | 5055670250 | 2 |
| 発注番号 : ORDER NUMBER | | | | | | | 極数 CIRCUIT SIZE |
| 梱包形態 : エンボステープ梱包 PACKAGING : EMBOSSED TAPE AND REEL | | | | | | | |

△ 505567**3*発注番号一覧 ORDER NUMBER LIST

| ORANGE | GREEN | BLUE | YELLOW | RED | BLACK | NATURAL (BEIGE) | HOUSING COLOR |
|--|------------|------------|------------|------------|------------|-----------------|--------------------|
| 5055671638 | 5055671636 | 5055671634 | 5055671633 | 5055671632 | 5055671631 | 5055671630 | 16 |
| 5055671538 | 5055671536 | 5055671534 | 5055671533 | 5055671532 | 5055671531 | 5055671530 | 15 |
| 5055671438 | 5055671436 | 5055671434 | 5055671433 | 5055671432 | 5055671431 | 5055671430 | 14 |
| 5055671338 | 5055671336 | 5055671334 | 5055671333 | 5055671332 | 5055671331 | 5055671330 | 13 |
| 5055671238 | 5055671236 | 5055671234 | 5055671233 | 5055671232 | 5055671231 | 5055671230 | 12 |
| 5055671138 | 5055671136 | 5055671134 | 5055671133 | 5055671132 | 5055671131 | 5055671130 | 11 |
| 5055671038 | 5055671036 | 5055671034 | 5055671033 | 5055671032 | 5055671031 | 5055671030 | 10 |
| 5055670938 | 5055670936 | 5055670934 | 5055670933 | 5055670932 | 5055670931 | 5055670930 | 9 |
| 5055670838 | 5055670836 | 5055670834 | 5055670833 | 5055670832 | 5055670831 | 5055670830 | 8 |
| 5055670738 | 5055670736 | 5055670734 | 5055670733 | 5055670732 | 5055670731 | 5055670730 | 7 |
| 5055670638 | 5055670636 | 5055670634 | 5055670633 | 5055670632 | 5055670631 | 5055670630 | 6 |
| 5055670538 | 5055670536 | 5055670534 | 5055670533 | 5055670532 | 5055670531 | 5055670530 | 5 |
| 5055670438 | 5055670436 | 5055670434 | 5055670433 | 5055670432 | 5055670431 | 5055670430 | 4 |
| 5055670338 | 5055670336 | 5055670334 | 5055670333 | 5055670332 | 5055670331 | 5055670330 | 3 |
| 5055670238 | 5055670236 | 5055670234 | 5055670233 | 5055670232 | 5055670231 | 5055670230 | 2 |
| 発注番号 : ORDER NUMBER | | | | | | | 極数 CIRCUIT SIZE |
| 梱包形態 : エンボステープ梱包 PACKAGING : EMBOSSED TAPE AND REEL | | | | | | | |

| | | | | | | | | | | | |
|---|--|----------------|--|---|--|-----------------|--|---|--|--|--|
| THIS DRAWING CONTAINS INFORMATION THAT IS PROPRIETARY TO MOLEX ELECTRONIC TECHNOLOGIES, LLC AND SHOULD NOT BE USED WITHOUT WRITTEN PERMISSION | | | | | | | | | | | |
| DIMENSION UNITS | | SCALE | | CURRENT REV DESC: | | | |  | | MICRO-LOCK PLUS 1.25 W/B SINGLE ROW RIGHT ANGLE SMT PLUG ASSEMBLY GOLD PLATING | |
| mm | | NTS | | | | | | | | | |
| GENERAL TOLERANCES (UNLESS SPECIFIED) | | | | EC NO: 736271 | | | | DRWN: SOKUMURA01 2022/12/27 CHK'D: SAKIYAMA 2023/02/16 APPR: AIDA 2023/02/16 | | PRODUCT CUSTOMER DRAWING | |
| ANGULAR TOL ± 3.0° | | | | INITIAL REVISION: | | | | | | | |
| 4 PLACES ± 0.2 | | 3 PLACES ± 0.2 | | 2 PLACES ± 0.2 | | 1 PLACE ± 0.2 | | 0 PLACES ± 0.2 | | DRWN: RWATANABE01 2017/11/28 APPR: TKANEKO 2017/12/06 | |
| DRAFT WHERE APPLICABLE MUST REMAIN WITHIN DIMENSIONS | | | | THIRD ANGLE PROJECTION | | DRAWING | | SERIES | | DOCUMENT NUMBER 5055670010-SD | |
| | | | |  | | A3-SIZE | | 505567 | | DOC TYPE DOC PART REVISION PSD 000 D | |
| | | | | | | MATERIAL NUMBER | | CUSTOMER | | SHEET NUMBER | |
| | | | | | | SEE CHART | | GENERAL | | 5 OF 5 | |