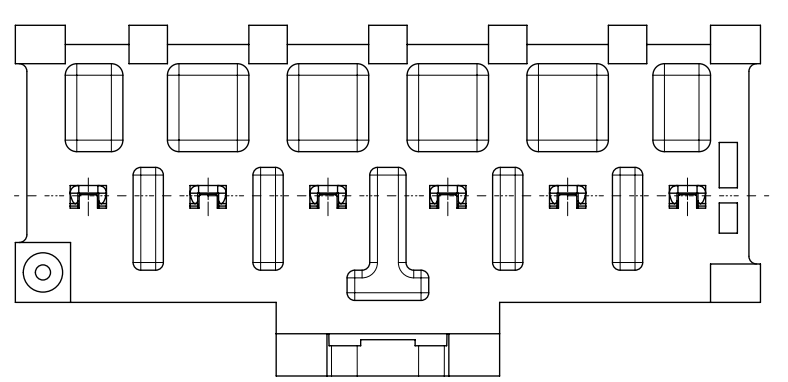
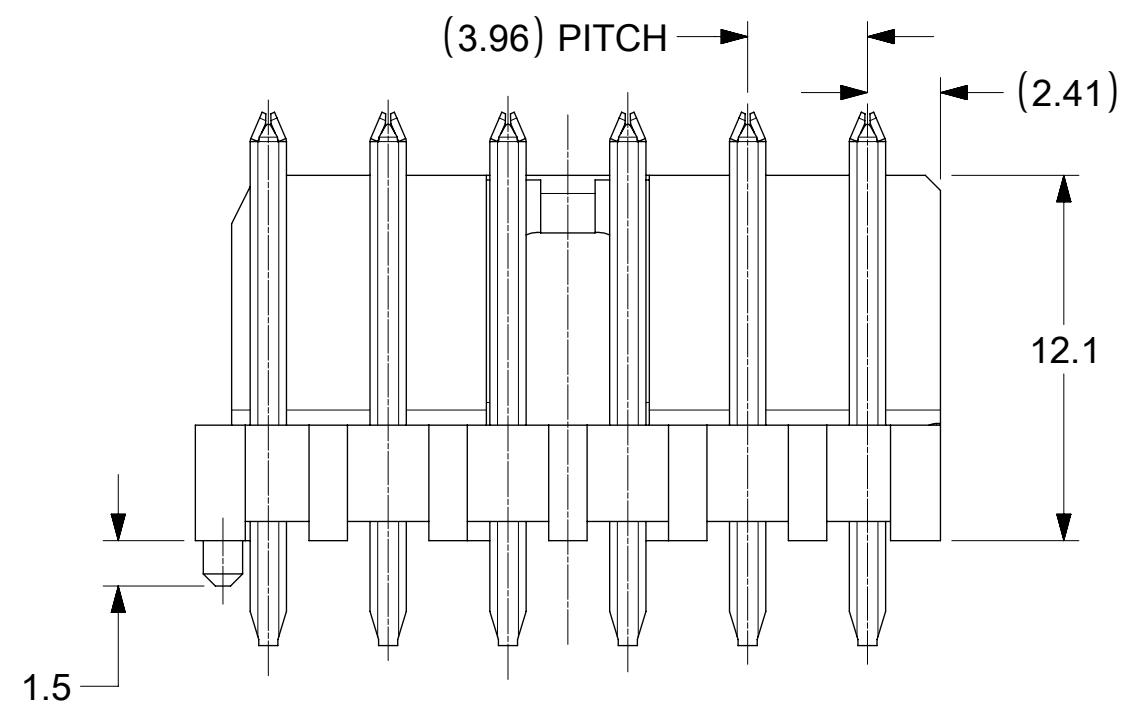
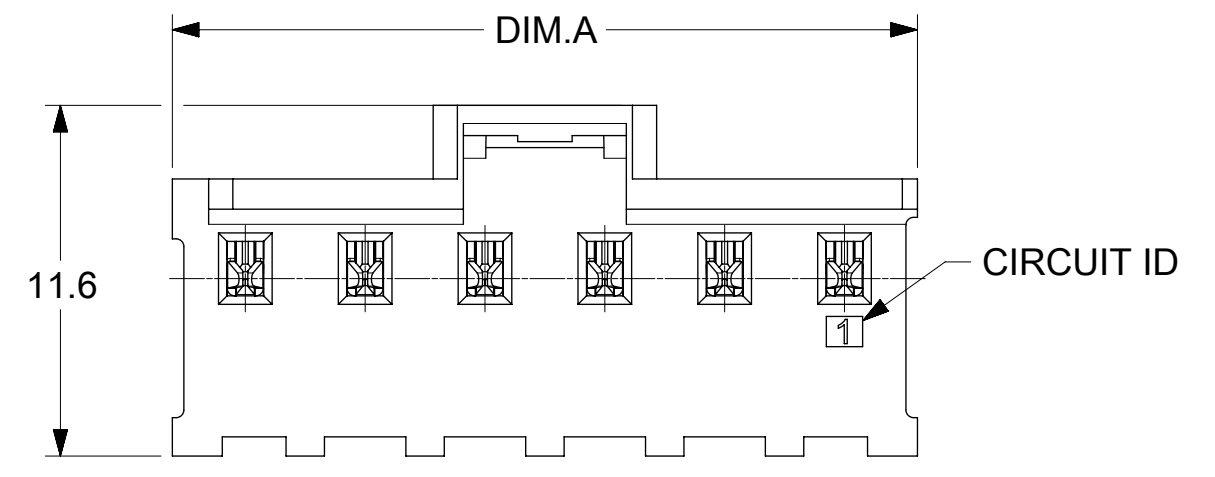
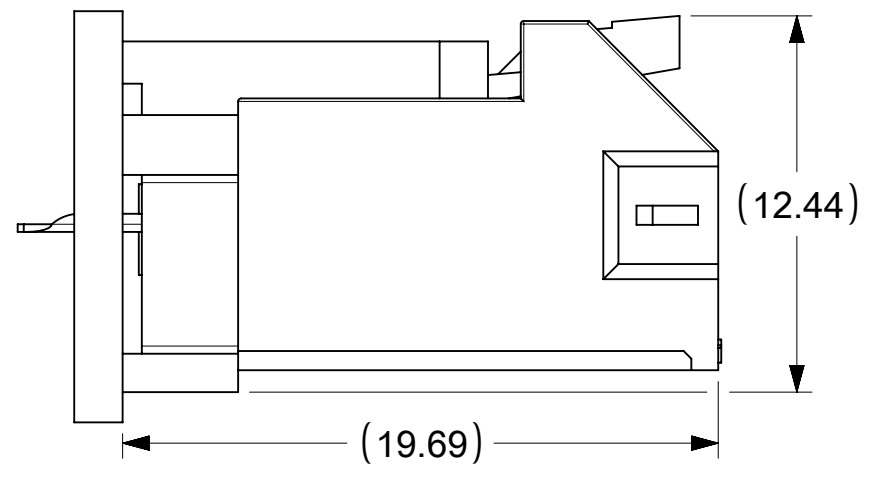


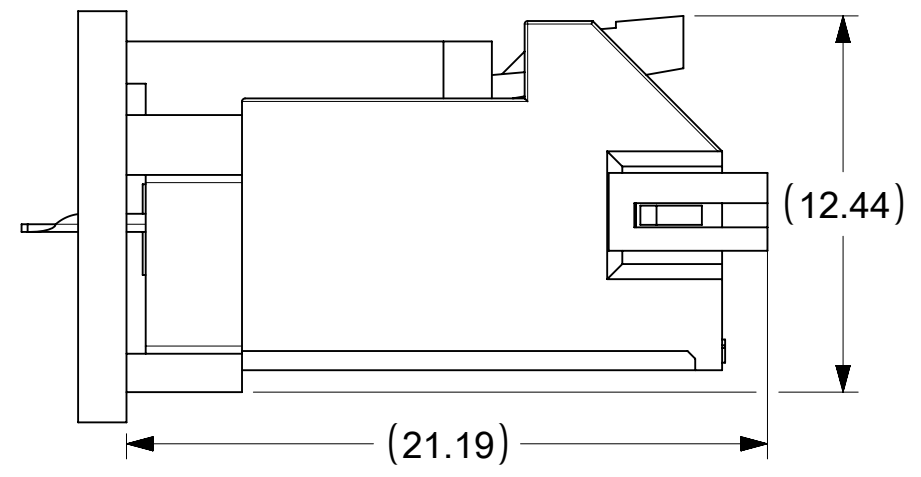
| HOUSING TYPE | CIRCUIT SIZE | HEADER ASSY P/N | DIM. A | Void CKT |
|--|--------------|-----------------|------------|----------|
| UNSHROUDED HEADER ASSY WITH PEG | 02 | 2074781002 | 8.79 | |
| | 03 | 2074781003 | 12.75 | |
| | 04 | 2074781004 | 16.71 | |
| | 05 | 2074781005 | 20.68 | |
| | 06 | 2074781006 | 24.64 | |
| UNSHROUDED HEADER ASSY WITHOUT PEG | 02 | 2074780002 | 8.79 | |
| | 03 | 2074780003 | 12.75 | |
| | 04 | 2074780004 | 16.71 | |
| | 05 | 2074780005 | 20.68 | |
| | 06 | 2074780006 | 24.64 | |
| | | 04 | 2074780104 | 16.71 |



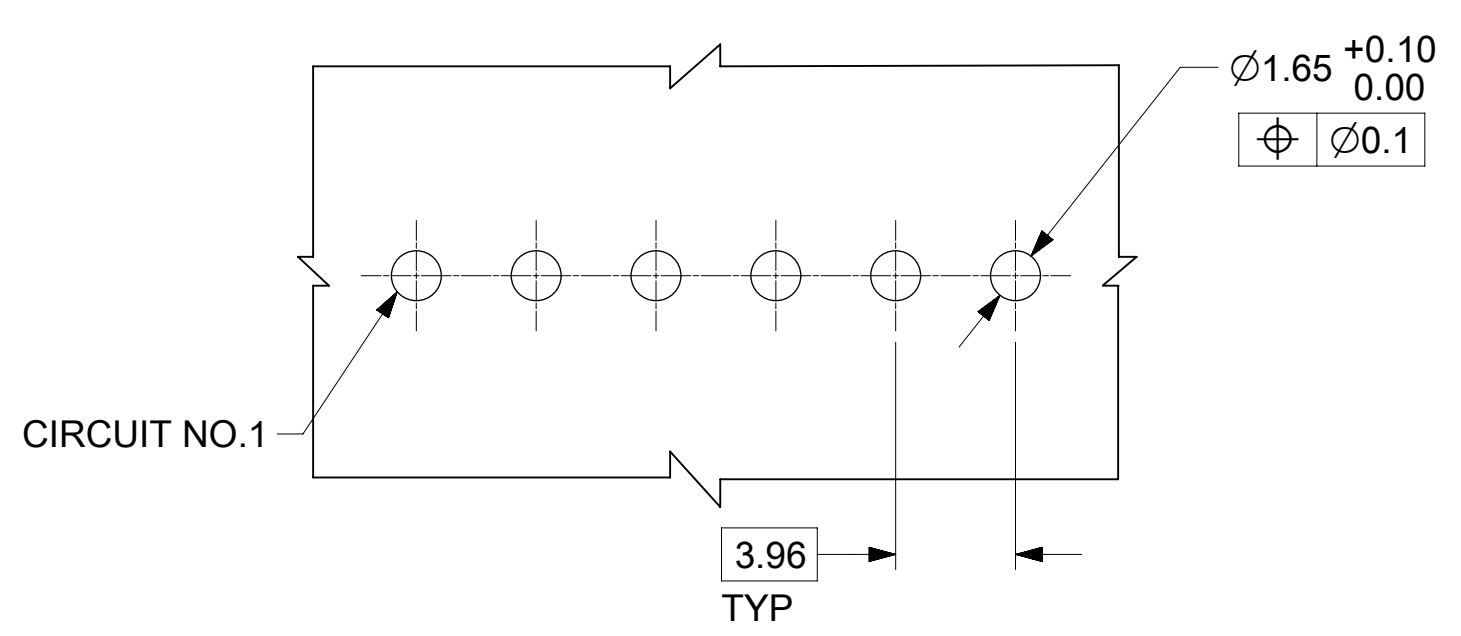
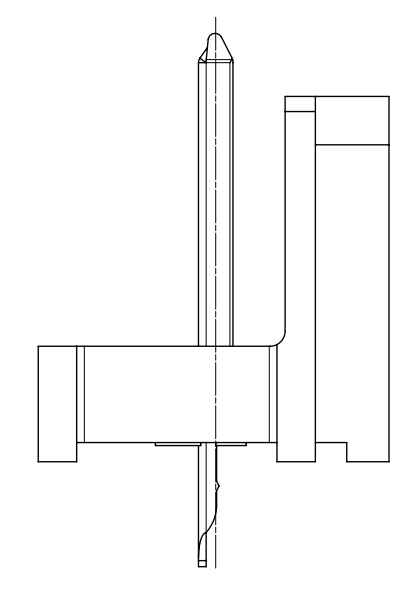
WITHOUT TPA



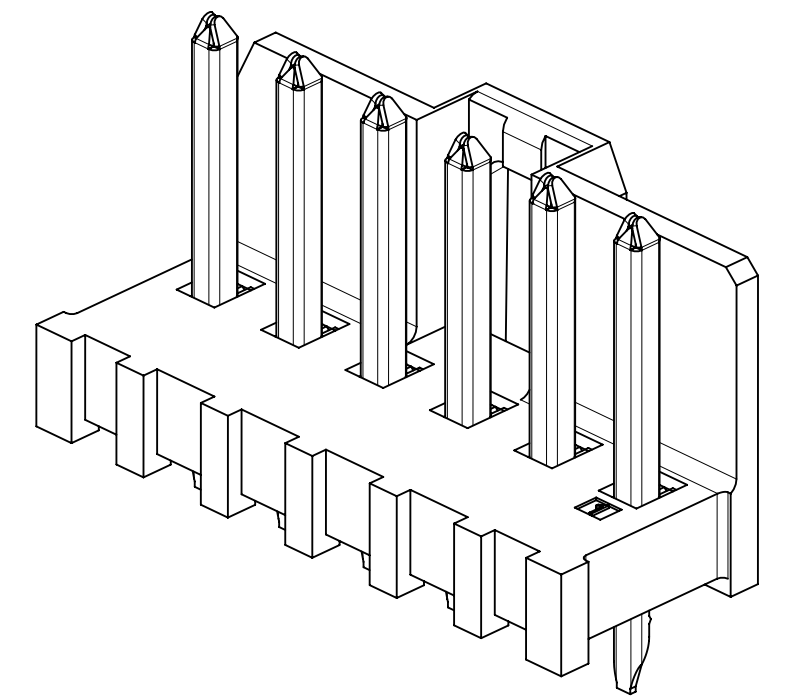
WITH TPA



UNSHROUDED HEADER ASSEMBLY WITHOUT PEG
APPLICABLE TO P/N 207478000X

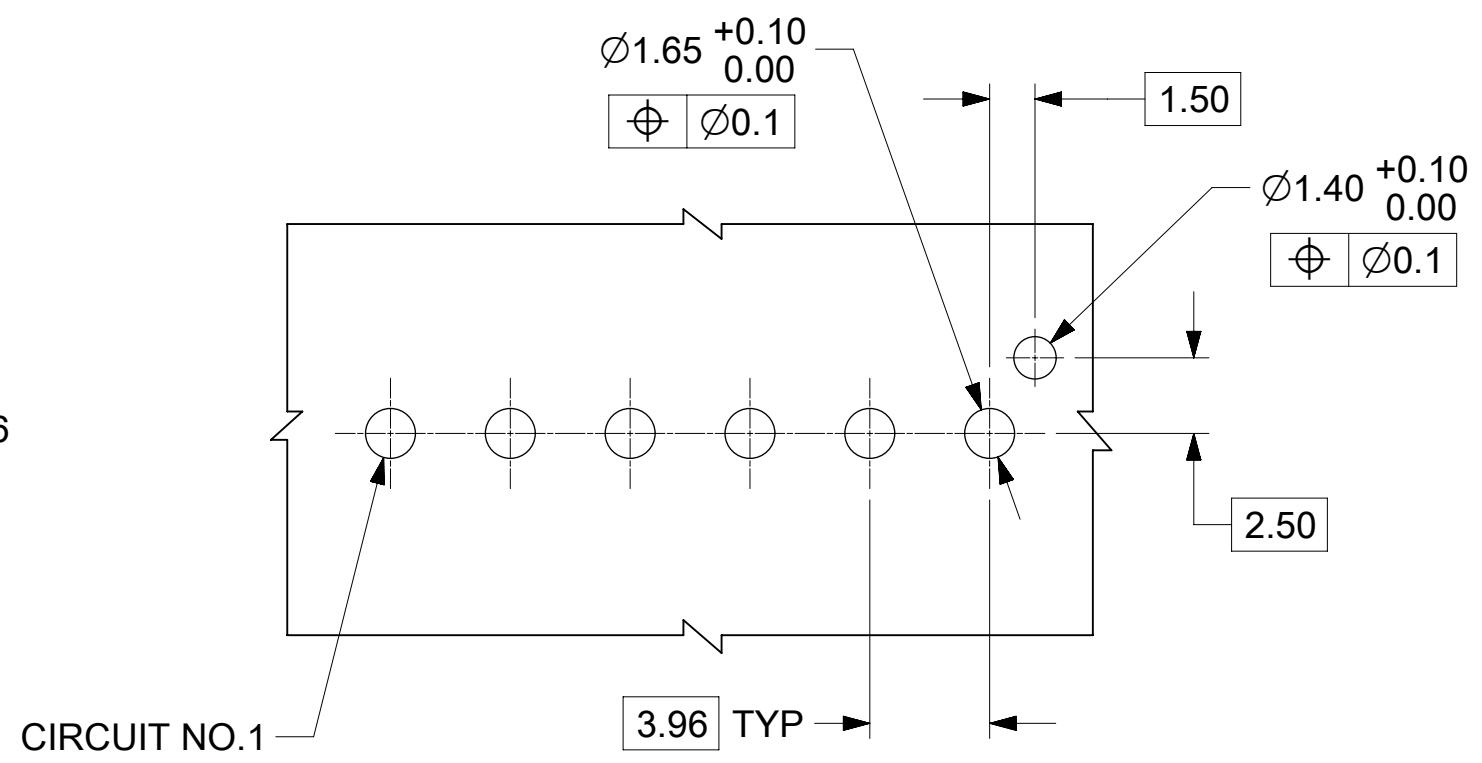
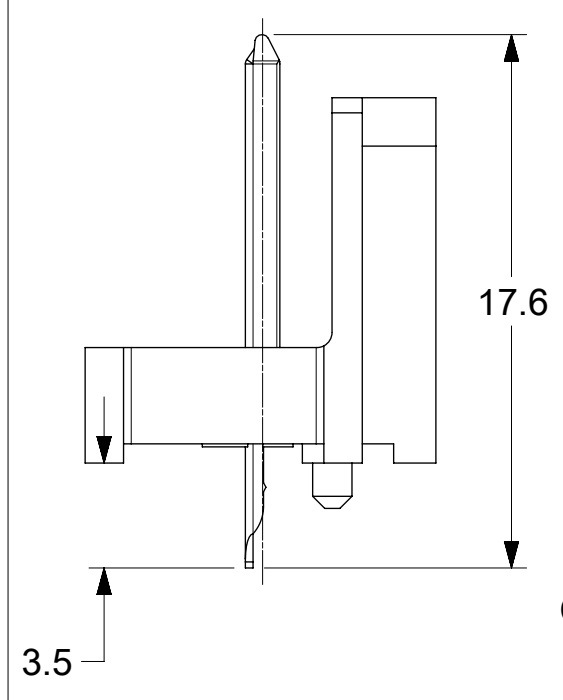


PCB LAYOUT VIEWED FROM THE SOLDERING SIDE
(RECOMMENDED PCB THICKNESS : 1.60mm)

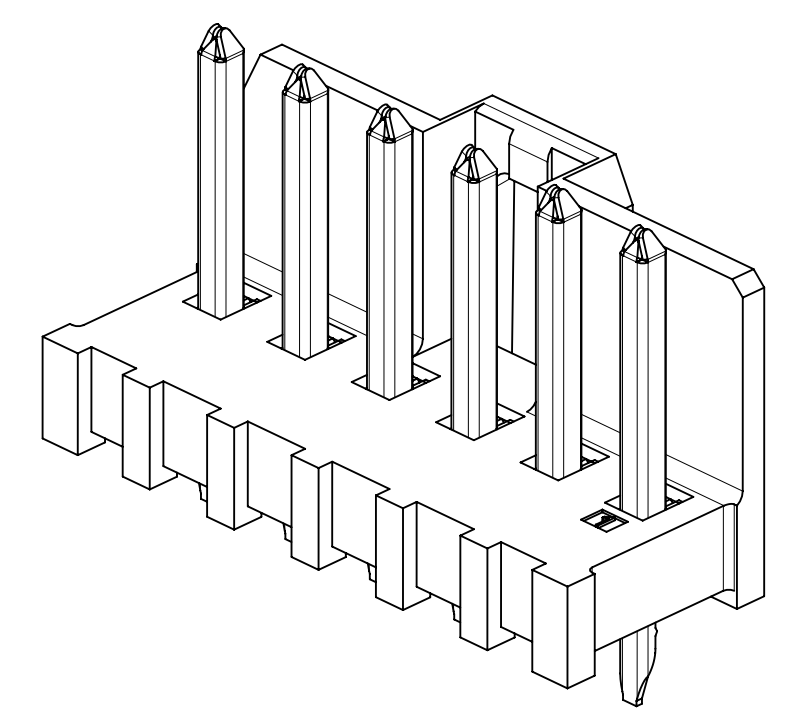


ISOMETRIC VIEW 6 CIRCUIT

UNSHROUDED HEADER ASSEMBLY WITH PEG
APPLICABLE TO P/N 207478100X



PCB LAYOUT VIEWED FROM THE SOLDERING SIDE
(RECOMMENDED PCB THICKNESS : 1.60mm)



ISOMETRIC VIEW 6 CIRCUIT

NOTES:

- MATERIAL:
 - HOUSING: LIQUID CRYSTAL POLYMER. RATED UL94V-0, COLOR-BLACK
 - TERMINAL: BRASS ALLOY
PLATING: TIN OVER COPPER OVERALL
- PRODUCT SPECIFICATION: 2074580000-PS
- PACKAGING SPECIFICATION: 2074790000-PK
- COSMETIC SPECIFICATION: PS-45499-002 CLASS B

THIS DRAWING CONTAINS INFORMATION THAT IS PROPRIETARY TO MOLEX ELECTRONIC TECHNOLOGIES, LLC AND SHOULD NOT BE USED WITHOUT WRITTEN PERMISSION

| | | | |
|--|--------|------------------------|------------|
| DIMENSION UNITS | SCALE | CURRENT REV DESC: | |
| mm | 4:1 | EC NO: 706747 | |
| GENERAL TOLERANCES (UNLESS SPECIFIED) | | DRWN: SHRUTJ | 2022/03/24 |
| ANGULAR TOL | ± 0.5° | CHK'D: SHRUTJ | 2022/05/13 |
| 4 PLACES | ± | APPR: ISHWARG | 2022/05/13 |
| 3 PLACES | ± | INITIAL REVISION: | |
| 2 PLACES | ± 0.2 | DRWN: GGUNAGI | 2018/09/19 |
| 1 PLACE | ± 0.25 | APPR: NCSR | 2019/02/05 |
| 0 PLACES | ± | THIRD ANGLE PROJECTION | |
| DRAFT WHERE APPLICABLE MUST REMAIN WITHIN DIMENSIONS | | DRAWING | SERIES |
| | | A2-SIZE | 207478 |

| | | | |
|--|----------------|--------------|----------|
| molex | | | |
| KK PLUS 396 UNSHROUDED HEADER ASSY WITH AND WITHOUT PEG | | | |
| PRODUCT CUSTOMER DRAWING | | | |
| DOCUMENT NUMBER | DOC TYPE | DOC PART | REVISION |
| 2074781000-SD | PSD | 000 | C1 |
| MATERIAL NUMBER | CUSTOMER | SHEET NUMBER | |
| SEE TABLE | GENERAL MARKET | 1 OF 1 | |

| | | | | |
|-----------------|----|--------------|------------|----------|
| DOCUMENT STATUS | P1 | RELEASE DATE | 2022/05/13 | 18:11:35 |
|-----------------|----|--------------|------------|----------|