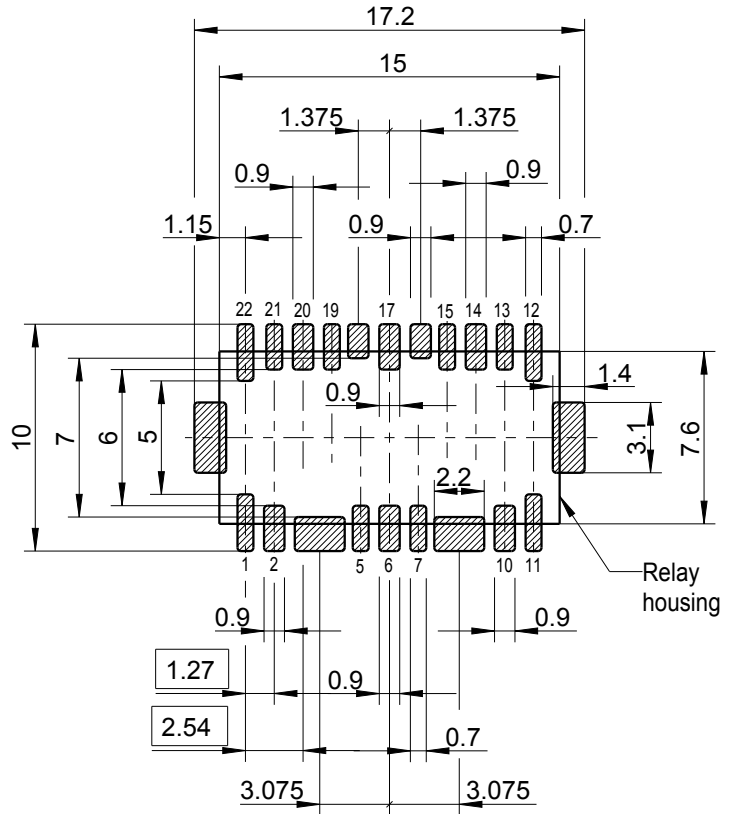
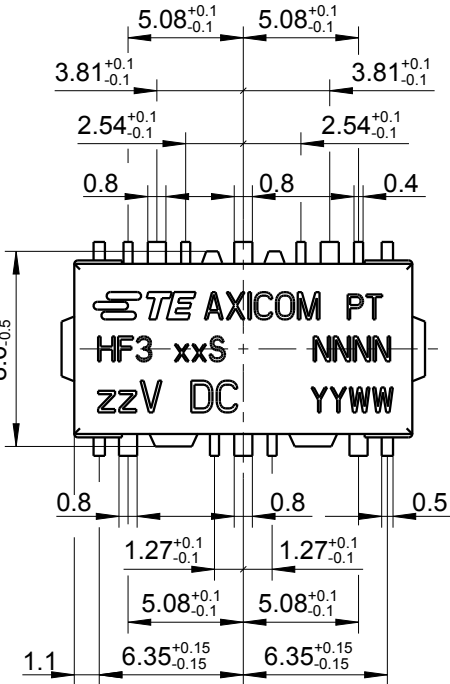
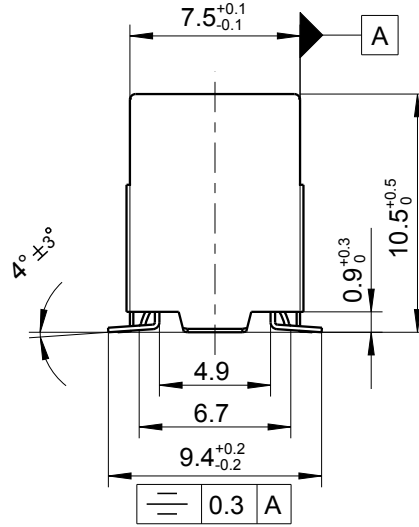
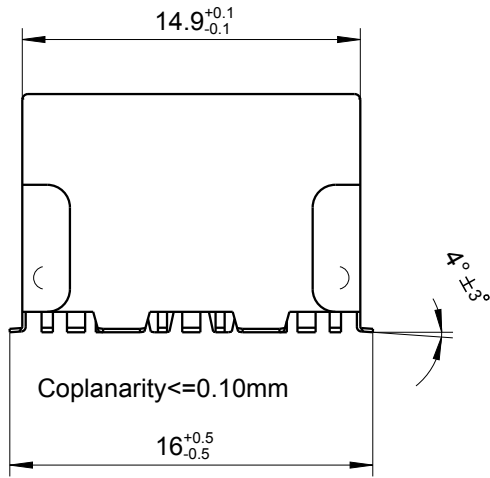


LOC	DIST	REVISIONS					
		P	LTR	DESCRIPTION	DATE	DWN	APVD
HJ	-		E	New Coplanarity, Solder Pad Layout	15JAN2010	UKo	HD
			F	Printing	09JUL2010	UKo	HD
			F1	REVISED PER ECO-11-005150	25MAR2011	RK	HMR
			F2	REVISED PER ECO-11-017072 (ECR-13-009645)	14JUN2013	UKo	AK



XX = Relay type
 zz = nominal voltage
 YYWW = Date code
 NNNN = Lot number

2006

RELEASED FOR PUBLICATION

ALL RIGHTS RESERVED.

THIS DRAWING IS UNPUBLISHED.

© COPYRIGHT 2006 BY TE Connectivity

DIMENSIONS: mm	DWN	26JAN2007	MATERIAL	FINISH				
	UKo 9193		-	-				
TOLERANCES UNLESS OTHERWISE SPECIFIED: DIN 7168-m	CHK	26JAN2007	TE Connectivity					
	HD 9121							
0 PLC ±- 1 PLC ±- 2 PLC ±- 3 PLC ±- 4 PLC ±- ANGLES ±-	APVD	26JAN2007	NAME HF3-Relay metal cover 50Ω Dimensions					
	HD 9121							
	PRODUCT SPEC		SIZE	CAGE CODE	DRAWING NO	RESTRICTED TO		
	-		A4	00779	C-1462051-3	-		
	APPLICATION SPEC		CUSTOMER DRAWING		SCALE	SHEET	OF	REV
	-				3:1	1	1	F2
	WEIGHT							
	-							