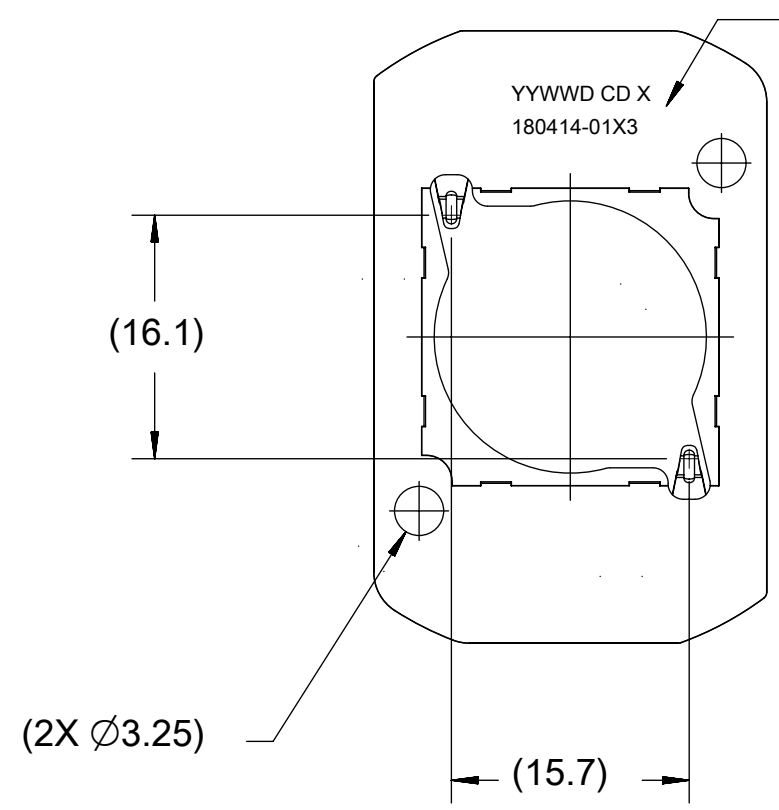
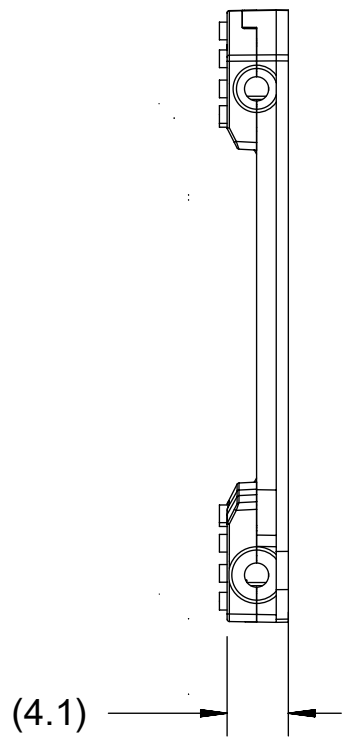
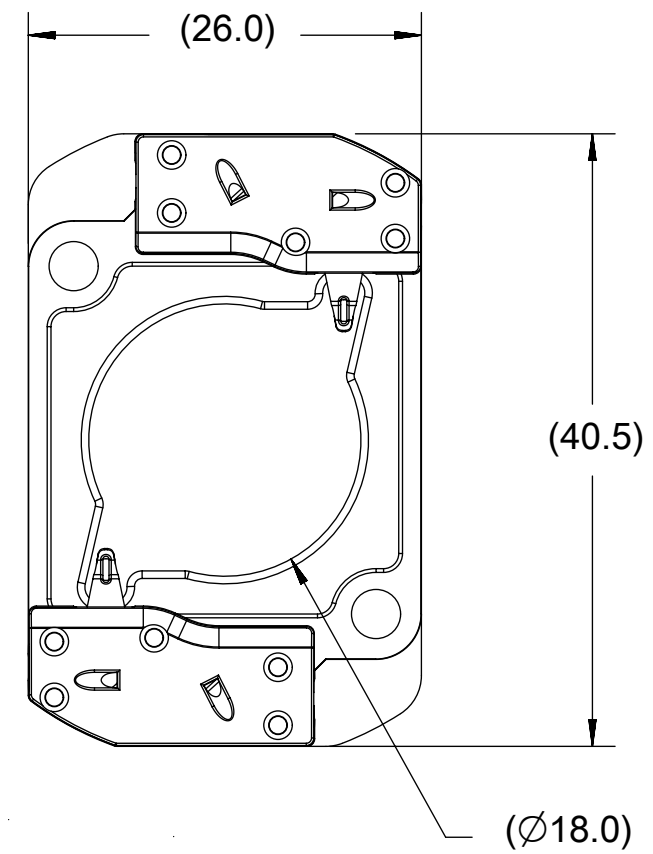
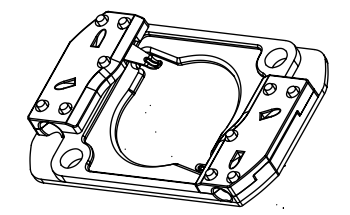


10	9	8	7	6	5	4	3	2	1	
PART NUMBER		DESCRIPTION				MATERIAL			AGENCY APPROVAL	
180414-0103		COB LED HOLDER 19.0MM X 19.0MM SQUARE				POLYAMIDE (PA66) GLASS FILLED, COLOR: NATURAL			UL496 FILE E345583	
180414-0113		COB LED HOLDER 19.0MM X 19.0MM SQUARE				POLYESTER (PBT) GLASS FILLED, COLOR: WHITE			UL496 FILE E345583	
180414-0213		COB LED HOLDER 19.0MM X 19.0MM SQUARE WITH TAB CAP				POLYESTER (PBT) GLASS FILLED, COLOR: WHITE			UL496 FILE E345583	

HOLDER ASSEMBLY  
P/N 180414-0103  
P/N 180414-0113



PART MARKED WITH  
DATE CODE (YYWWD)  
MFG PLANT (CD)  
REVISION (X)  
PART NUMBER (180414-01X3)

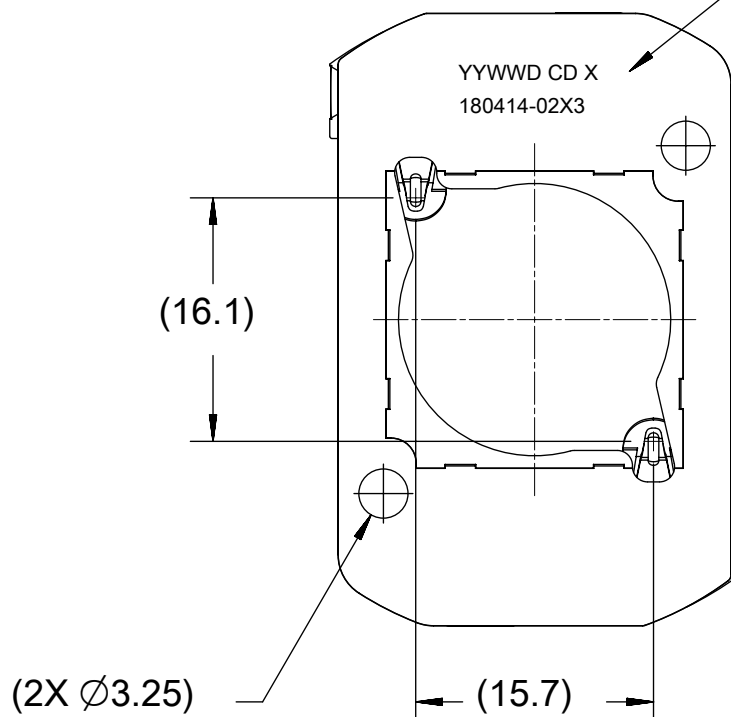
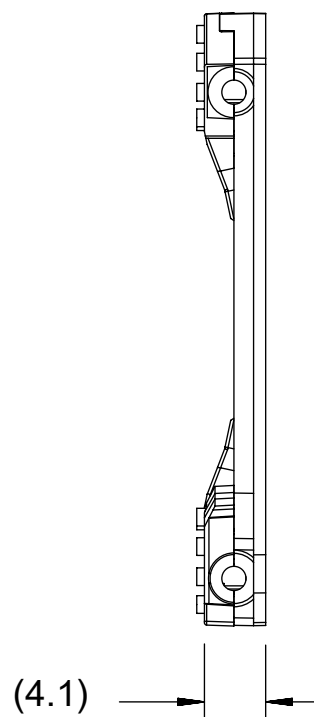
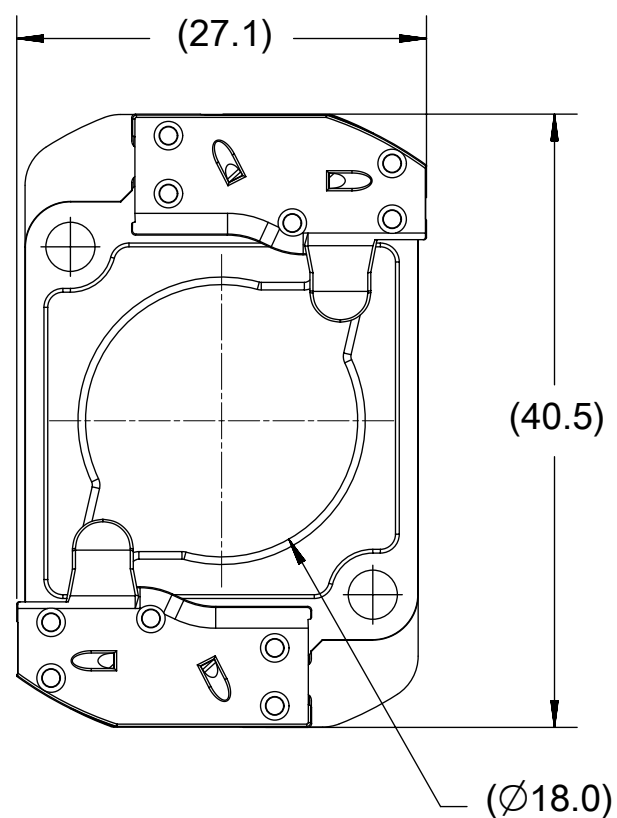


ISOMETRIC VIEW 1  
SCALE 1:1

- NOTES:
1. MATERIALS: HOUSING: SEE CHART; TERMINAL: COPPER ALLOY
  2. FINISHES: TERMINAL: NICKEL (Ni) UNDERPLATE 1.27 µm, SELECT TIN (Sn) 2.54µm, SELECT GOLD (Au) 0.76µm
  3. PRODUCT SPECIFICATION: PS-180414-001
  4. PACKAGING SPECIFICATION: PK-180419-006
  5. APPLICATION SPECIFICATION: AS-180412-001
  6. SEE SHEET 3 FOR APPLICATION NOTES
  7. ELV AND ROHS COMPLIANT
  8. ALL DIMENSIONS IN PARENTHESIS (XX.XX) ARE FOR REFERENCE ONLY.

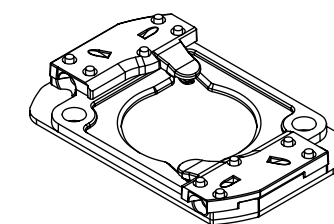
THIS DRAWING CONTAINS INFORMATION THAT IS PROPRIETARY TO MOLEX ELECTRONIC TECHNOLOGIES, LLC AND SHOULD NOT BE USED WITHOUT WRITTEN PERMISSION											
DIMENSION UNITS <b>mm</b>		SCALE <b>1:1</b>		CURRENT REV DESC: OBSOLETE PART NO.				<b>molex</b>		COB LED HOLDER 19.0 MM X 19.0 MM SQUARE	
GENERAL TOLERANCES (UNLESS SPECIFIED)		ANGULAR TOL ± 0.5°		EC NO: 632260							
4 PLACES ±		3 PLACES ±		DRWN: RPRABHUM		2020/01/31		PRODUCT CUSTOMER DRAWING		DOCUMENT NUMBER	
2 PLACES ± 0.13		1 PLACE ± 0.25		CHK'D: GGA		2020/02/28		SD-180414-103		DOC TYPE DOC PART REVISION	
0 PLACES ±		INITIAL REVISION:		APPR: GGA		2020/02/28		PSD 001		B5	
DRAFT WHERE APPLICABLE MUST REMAIN WITHIN DIMENSIONS		THIRD ANGLE PROJECTION		DRAWING		SERIES		MATERIAL NUMBER		CUSTOMER	
		A3-SIZE		180414		GENERAL MARKET		1 OF 4			

HOLDER ASSEMBLY WITH TAB CAP  
P/N 180414-0213



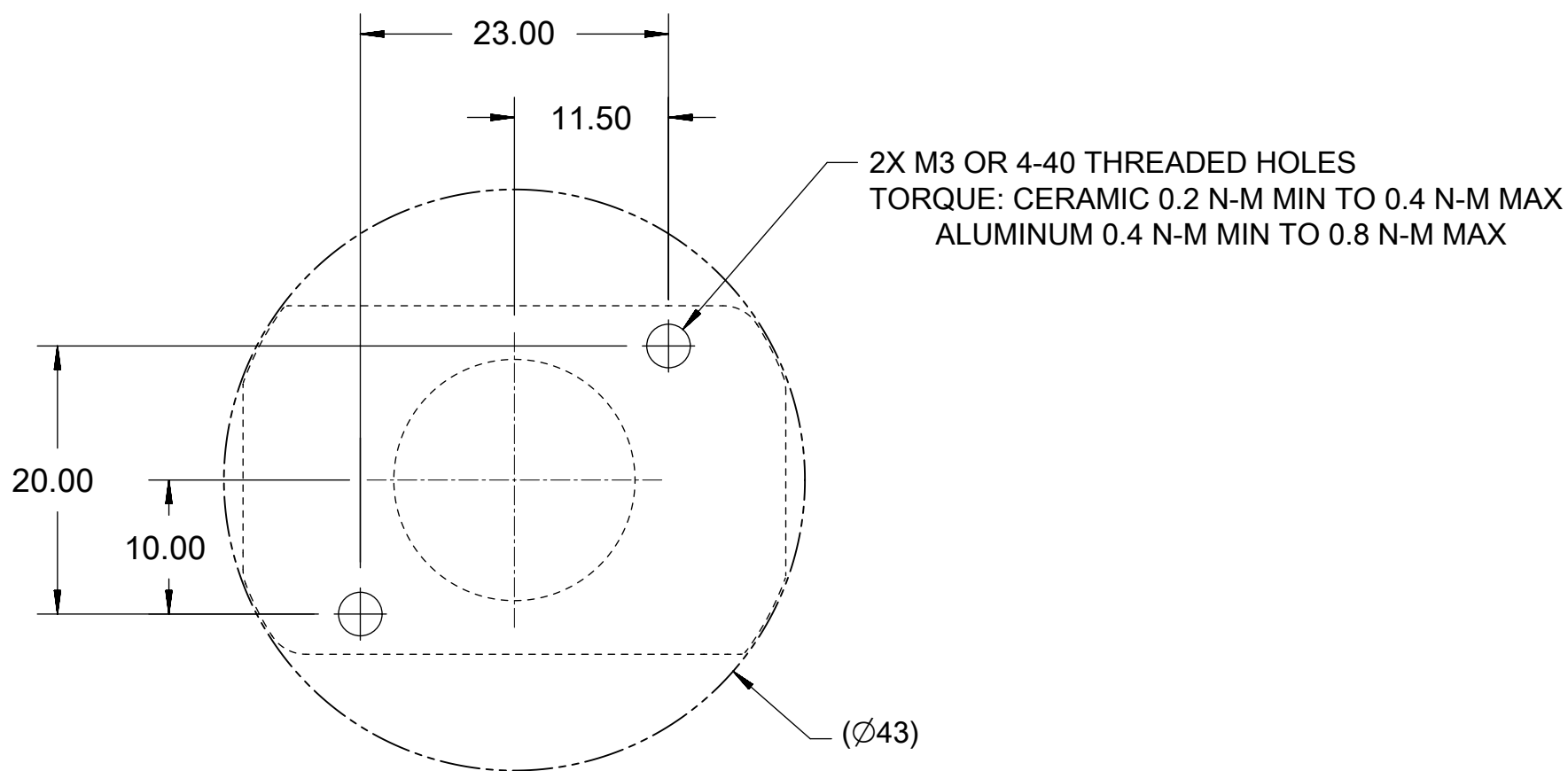
PART MARKED WITH  
DATE CODE (YYWWD)  
MFG PLANT (CD)  
REVISION (X)  
PART NUMBER (180414-02X3)

YYWWD CD X  
180414-02X3



ISOMETRIC VIEW 2  
SCALE 1:1

THIS DRAWING CONTAINS INFORMATION THAT IS PROPRIETARY TO MOLEX ELECTRONIC TECHNOLOGIES, LLC AND SHOULD NOT BE USED WITHOUT WRITTEN PERMISSION									
DIMENSION UNITS <b>mm</b>		SCALE <b>1:1</b>		CURRENT REV DESC: OBSOLETE PART NO.				<b>molex</b>	
GENERAL TOLERANCES (UNLESS SPECIFIED)				EC NO: 632260					
ANGULAR TOL ± 0.5°				DRWN: RPRABHUM 2020/01/31				COB LED HOLDER	
4 PLACES ±				CHK'D: GGA 2020/02/28				19.0 MM X 19.0 MM SQUARE	
3 PLACES ±				APPR: GGA 2020/02/28				PRODUCT CUSTOMER DRAWING	
2 PLACES ± 0.13				INITIAL REVISION:				DOCUMENT NUMBER	
1 PLACE ± 0.25				DRWN: MCOLE 2012/05/24				SD-180414-103	
0 PLACES ±				APPR: DMCGOWAN 2012/08/06				DOC TYPE DOC PART REVISION	
DRAFT WHERE APPLICABLE MUST REMAIN WITHIN DIMENSIONS				THIRD ANGLE PROJECTION		DRAWING		SHEET NUMBER	
				A3-SIZE		SERIES		CUSTOMER	
				180414		GENERAL MARKET		2 OF 4	



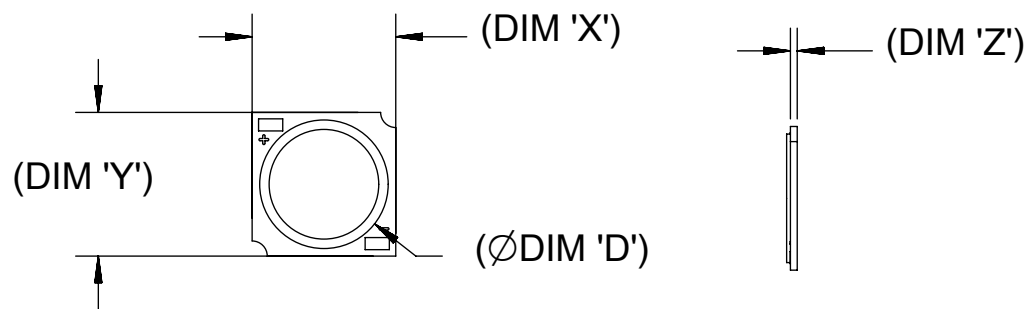
RECOMMENDED MOUNTING DIMENSIONIS

NOTES:

1. WIRE GAUGE: 18, 20, OR 22 AWG, SOLID OR STRANDED WITH TIN OVERCOAT. STRIP LENGTH 10MM +2.0/-0.0MM. RECOMMENDED MAXIMUM DIAMETER AFTER TINNING: 1.40MM. LARGER DIAMETER WIRES ARE ACCEPTABLE IF FULLY INSERTABLE IN WIRE TRAP AND NO WITHDRAWAL WITHIN 20N FORCE.

THIS DRAWING CONTAINS INFORMATION THAT IS PROPRIETARY TO MOLEX ELECTRONIC TECHNOLOGIES, LLC AND SHOULD NOT BE USED WITHOUT WRITTEN PERMISSION										
DIMENSION UNITS	SCALE	CURRENT REV DESC: OBSOLETE PART NO.								
mm	1:1									
GENERAL TOLERANCES (UNLESS SPECIFIED)		EC NO: 632260			COB LED HOLDER					
ANGULAR TOL	± 0.5°	DRWN: RPRABHUM 2020/01/31			19.0 MM X 19.0 MM SQUARE					
4 PLACES	±	CHK'D: GGA 2020/02/28			PRODUCT CUSTOMER DRAWING					
3 PLACES	±	APPR: GGA 2020/02/28			DOCUMENT NUMBER					
2 PLACES	± 0.13	INITIAL REVISION:			SD-180414-103			DOC TYPE	DOC PART	REVISION
1 PLACE	± 0.25	DRWN: MCOLE 2012/05/24						PSD	001	B5
0 PLACES	±	APPR: DMCGOWAN 2012/08/06								
DRAFT WHERE APPLICABLE MUST REMAIN WITHIN DIMENSIONS		THIRD ANGLE PROJECTION	DRAWING	SERIES	MATERIAL NUMBER	CUSTOMER	SHEET NUMBER			
			A3-SIZE	180414		GENERAL MARKET	3 OF 4			

COB MFG	TYPE	DIM 'X'	DIM 'Y'	DIM 'Z'	DIM 'D'
CITIZEN	CLL030, CLL032, CLU034, CLU036, CLU038	19.0	19.0	0.90	17.0
TRIDONIC	SLE G5 LES15	19.0	19.0	0.90	15.0
SEOUL	ZC12, ZC18	19.0	19.0	0.90	16.0
CITIZEN	CLU720, CLU721	19.0	19.0	0.90	13.5
EVERLIGHT	EAHP1919WA*, EAHP1919WB*, EAHP1919WC*	19.0	19.0	0.90	15.5
EVERLIGHT	EA1919 36V/16W	19.0	19.0	0.90	15.5
EVERLIGHT	EA1919 36V/19W	19.0	19.0	0.90	15.5
EVERLIGHT	EA1919 36V/26W	19.0	19.0	0.90	15.5
VOSSLOH-SCHWABE	DMC114C	19.0	19.0	1.00	11.9
VOSSLOH-SCHWABE	DMC124***F, DMC125***F	19.0	19.0	1.00	13.1
VOSSLOH-SCHWABE	DMC125C	19.0	19.0	1.00	13.1
VOSSLOH-SCHWABE	DMC128***F	19.0	19.0	1.00	15.8
BRIDGELUX	H15	19.0	19.0	1.10	16.5
BRIDGELUX	GEN. 7 V13	19.0	19.0	1.00	15.0



COB LED  
SCALE 1:1

THIS DRAWING CONTAINS INFORMATION THAT IS PROPRIETARY TO MOLEX ELECTRONIC TECHNOLOGIES, LLC AND SHOULD NOT BE USED WITHOUT WRITTEN PERMISSION										
DIMENSION UNITS	SCALE	CURRENT REV DESC: OBSOLETE PART NO.								
mm	1:1									
GENERAL TOLERANCES (UNLESS SPECIFIED)										
ANGULAR TOL	± 0.5°	EC NO: 632260 DRWN: RPRABHUM 2020/01/31 CHK'D: GGA 2020/02/28 APPR: GGA 2020/02/28								
4 PLACES	±	INITIAL REVISION: DRWN: MCOLE 2012/05/24 APPR: DMCGOWAN 2012/08/06								
3 PLACES	±									
2 PLACES	± 0.13	PRODUCT CUSTOMER DRAWING								
1 PLACE	± 0.25	DOCUMENT NUMBER				DOC TYPE	DOC PART	REVISION		
0 PLACES	±	SD-180414-103				PSD	001	B5		
DRAFT WHERE APPLICABLE MUST REMAIN WITHIN DIMENSIONS		THIRD ANGLE PROJECTION	DRAWING	SERIES	MATERIAL NUMBER	CUSTOMER		SHEET NUMBER		
			A3-SIZE	180414		GENERAL MARKET		4 OF 4		