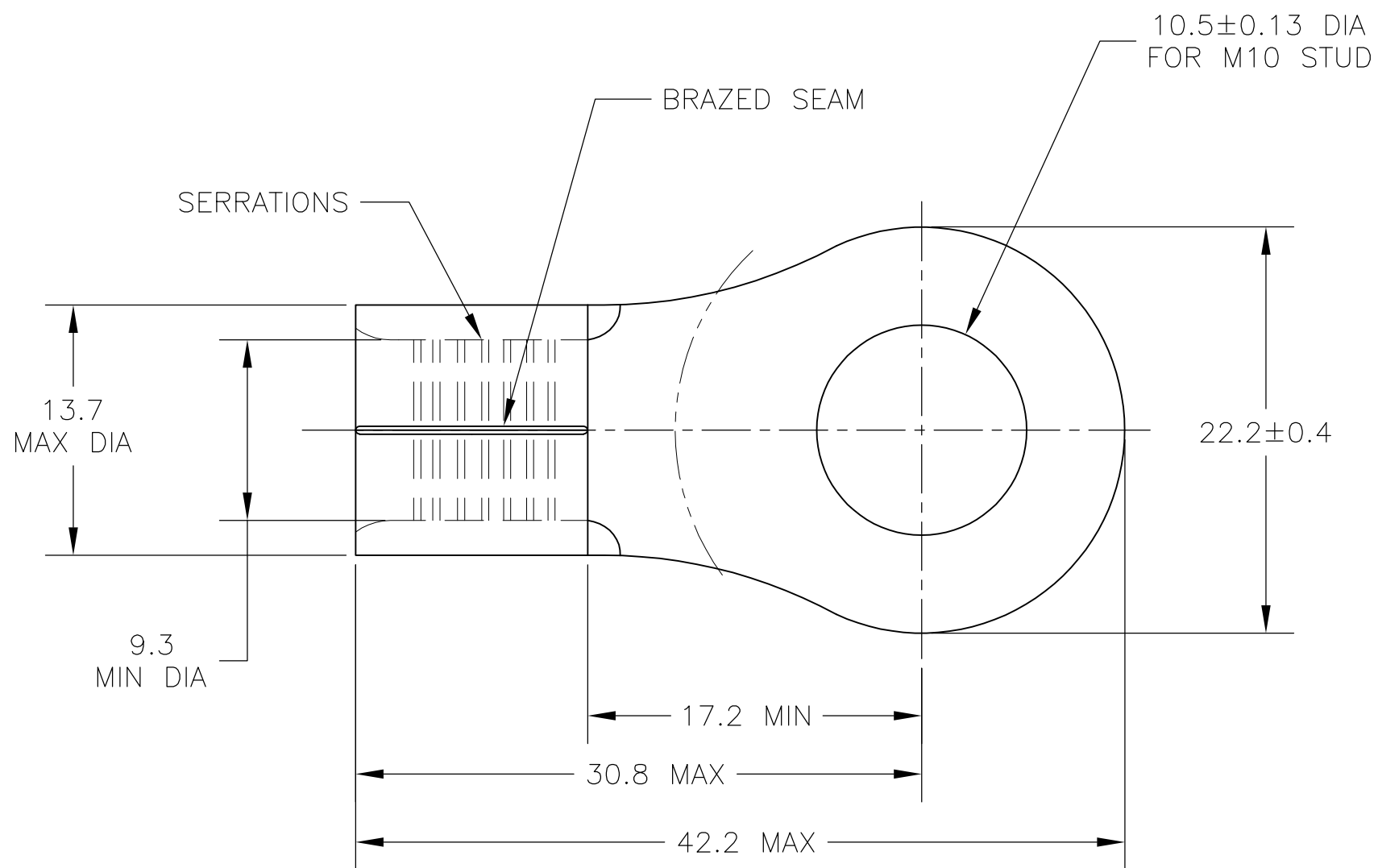



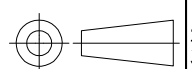
THIS DRAWING IS UNPUBLISHED. RELEASED FOR PUBLICATION
 © COPYRIGHT - By - ALL RIGHTS RESERVED.

| LOC | DIST | REVISIONS | | | |
|-----|------|-------------|---------------------------|-----------|-------|
| P | LTR | DESCRIPTION | DATE | DWN | APVD |
| G | 14 | A2 | REVISED PER ECO-15-006978 | 06JUN2015 | NK MM |



- 1 TONGUE THK IS 1.80±0.06.
- △ 2 TIN PLATE PER ASTM B545 ANNEALED.

| | |
|--------|---------|
| △ 2 | 160002 |
| FINISH | PART NO |

| | | | | | |
|---|--|------------------------------|--|-----------|------------|
| THIS DRAWING IS A CONTROLLED DOCUMENT. | | DWN jr_ruth 02FEB06 |  TE Connectivity | | |
| DIMENSIONS: INCHES | | CHK MJ SPICER 02FEB06 | | | |
|  | | APVD MJ SPICER 02FEB06 | TERMINAL, SOLISTRAND, RING TONGUE, WIRE SIZE : #2 | | |
| TOLERANCES UNLESS OTHERWISE SPECIFIED: | | PRODUCT SPEC | RESTRICTED TO | | |
| 0 PLC ± - | | APPLICATION SPEC | SIZE | CAGE CODE | DRAWING NO |
| 1 PLC ± - | | — | A3 00779 C-160002 | | |
| 2 PLC ± - | | — | SCALE 3:1 SHEET 1 OF 1 REV A2 | | |
| 3 PLC ± 0.20 | | — | | | |
| 4 PLC ± - | | — | | | |
| ANGLES ± 5° | | WEIGHT | | | |
| MATERIAL COPPER ASTM B152 | | FINISH SEE TABLE | CUSTOMER DRAWING | | |