

# Screw plug - PROT-M 8 MS-PA-CHAIN - 1430860

Please be informed that the data shown in this PDF Document is generated from our Online Catalog. Please find the complete data in the user's documentation. Our General Terms of Use for Downloads are valid (<http://phoenixcontact.com/download>)

M8 sealing cap made of plastic with fixing band for sensor cables, for M8 sockets



## Key Commercial Data

Packing unit	10 pc
GTIN	
GTIN	4046356332859

## Technical data

### Ambient conditions

Ambient temperature (operation)	-25 °C ... 85 °C
Degree of protection	IP65/IP67

### Material

Flammability rating according to UL 94	V0
Material	PA 6.6 GF
Sealing material	NBR
Additional material specifications	PUR (Holding band)

### Standards and Regulations

Flammability rating according to UL 94	V0
--	----

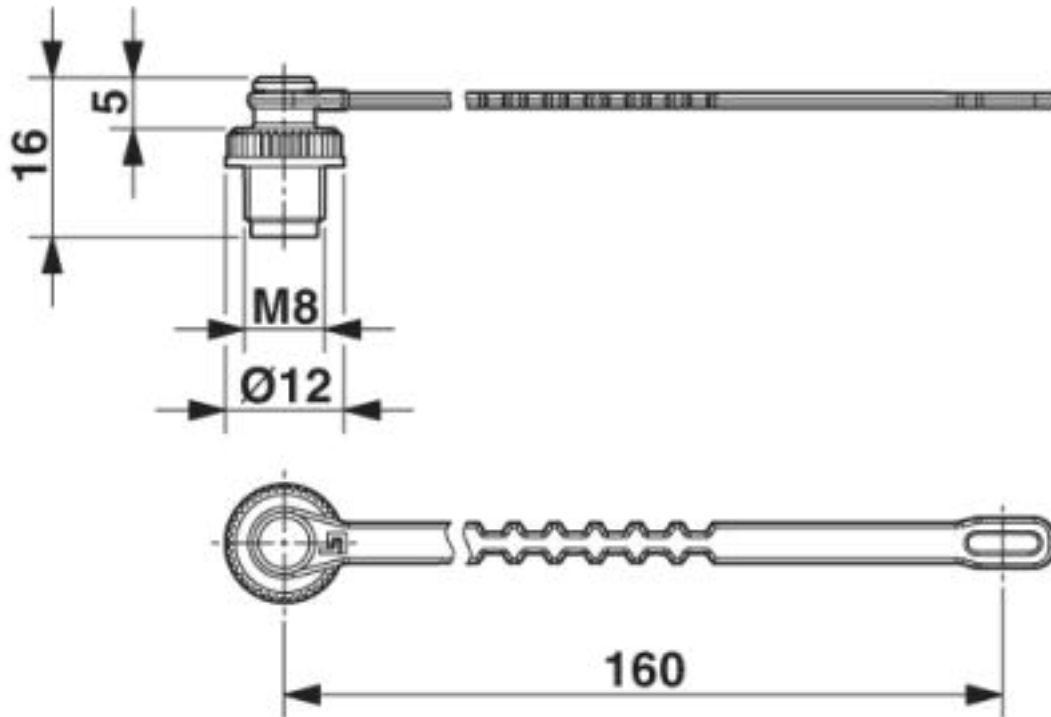
### Environmental Product Compliance

	Lead 7439-92-1
China RoHS	Environmentally Friendly Use Period = 25;
	For details about hazardous substances go to tab "Downloads", Category "Manufacturer's declaration"

## Drawings

## Screw plug - PROT-M 8 MS-PA-CHAIN - 1430860

Dimensional drawing



Dimensional drawing

Phoenix Contact 2019 © - all rights reserved  
<http://www.phoenixcontact.com>

PHOENIX CONTACT GmbH & Co. KG  
Flachsmarktstr. 8  
32825 Blomberg  
Germany  
Tel. +49 5235 300  
Fax +49 5235 3 41200  
<http://www.phoenixcontact.com>