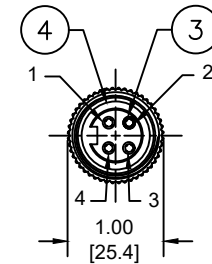
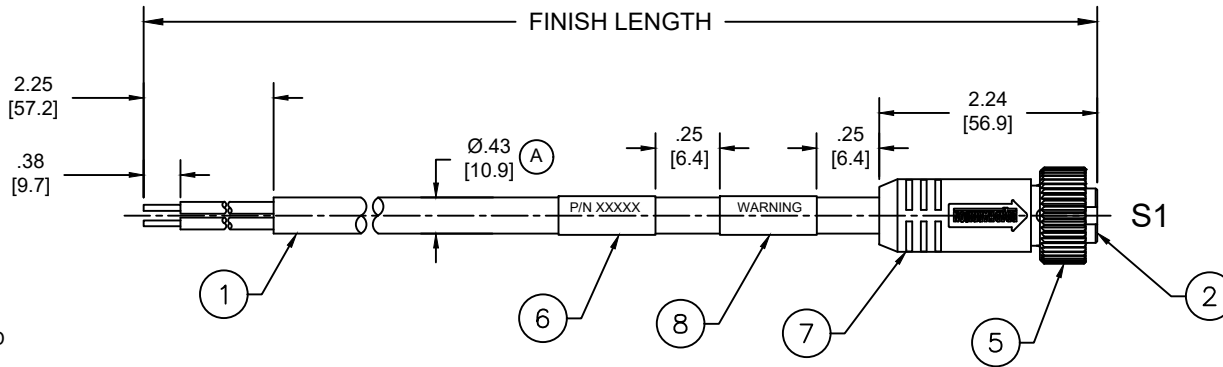
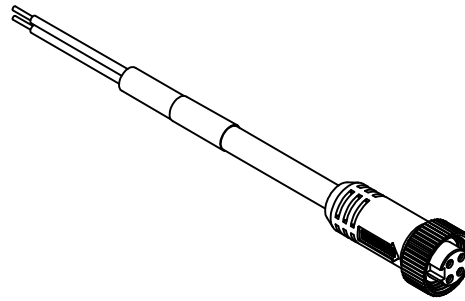


MATERIAL NUMBER	ENGINEERING NUMBER	FINISHED LENGTH
1300610077	104000A45M010	1M [3FT 3 IN]
1300610086	104000A45M100	10M [32FT 10 IN]
1300611009	104000A45M300	30M [98FT 5 IN]

(A) PART NUMBER LEGEND

104000A45M010

LENGTH:
M005= 0.5 METER
M010= 1 METER
M100= 10 METER



FACE VIEW FEMALE

NOTES:

- MATERIAL: AS NOTED
- FINISH: AS NOTED
- ELECTRICAL:
 - VOLTAGE: 483V PER IEC60664 (A)
 - 600V PER UL2237
 - CURRENT: 10A
- TEMP RATING: -20°TO +105°C (A)
- PROTECTION: IP67 (WHEN MATED)
- COUPLING THREAD: 7/8"-16UN
- UL LISTED FILE: E258922
- ALL DIMENSIONS ARE FOR REFERENCE UNLESS TOLERANCED OR NOTED OTHERWISE

S1

BLACK	1
WHITE	2
RED	3
GREEN/YELLOW	4

(A)

CABLE LENGTH TOLERANCES	
<.3M [1FT]:	+19mm-0 [+ .75in-0]
.3 - .9M [1 - 3FT]:	+44.5mm-0 [+1.75in-0]
.9 - 1.8M [3 - 6FT]:	+55.6mm-0 [+2.19in-0]
1.8 - 3.7M [6 - 12FT]:	+88.9mm-0 [+3.50in-0]
3.7 - 7.3M [12 - 24FT]:	+165.1mm-0 [+6.50in-0]
7.3-14.6M [24 - 48FT]:	+317.5mm-0 [+12.50in-0]
14.6 - 30.5M [48-100FT]:	+622.3mm-0 [+24.50in-0]
OVER 30M [100FT]	+2% OF FINISHED LENGTH

WIRING DIAGRAM

8	WARNING LABEL	VINYL	BLACK
7	OVERMOLD	TPE	GRAY
6	WRAP LABEL	VINYL	YELLOW
5	COUPLING NUT	ZINC ALLOY	BLACK E-COAT
4	FRICTION RING	NYLON	WHITE
3	SOCKET CONTACT	COPPER ALLOY	GOLD OVER NICKEL
2	INSERT	TPE	BLACK
1	#16/4 CABLE	PVC JACKET	GRAY
ITEM	DESCRIPTION	MATERIAL	FINISH

THIS DRAWING CONTAINS INFORMATION THAT IS PROPRIETARY TO MOLEX ELECTRONIC TECHNOLOGIES, LLC AND SHOULD NOT BE USED WITHOUT WRITTEN PERMISSION									
FUNCTIONAL SYMBOLS	DIMENSION UNITS	SCALE	CURRENT REV DESC: ITEM 2 & 7 WERE PVC. SLEEVE & SOCKET SHOWN AS ITEM-3. ADDED IEC VOLTAGE, PN LEGEND, CABLE DIA & TOL CHART. MODIFIED TEMP RATING AND PN TABLE.						
	INCH/MM	NTS							
DIVISIONAL SYMBOLS	GENERAL TOLERANCES (UNLESS SPECIFIED)		EC NO: 698916						
		mm	INCH	DRWN: ABENJAMINLW		2021/06/10			
	4 PLACES	±----	±----	CHK'D: RSTONE		2022/03/09			
	3 PLACES	±----	±----	APPR: BWOODMAN		2022/03/11			
	2 PLACES	±----	±----	INITIAL REVISION:					
	1 PLACE	±----	±----	DRWN: VOU		2010/01/14			
	0 PLACES	±----	±----	APPR: JFMURPHY		2010/01/20			
	ANGULAR TOL ± ---- °		THIRD ANGLE PROJECTION						
DRAFT WHERE APPLICABLE MUST REMAIN WITHIN DIMENSIONS			DRAWING		SERIES		MATERIAL NUMBER		CUSTOMER
			A-SIZE		130061		SEE CHART		GENERAL MARKET

molex

BRAD POWER CORDSET, A-SIZE
4-POLE, FEMALE, STRAIGHT, SINGLE KEY,
#16 AWG

PRODUCT CUSTOMER DRAWING

DOCUMENT NUMBER	DOC TYPE	DOC PART	REVISION
SD-130061-011	PSD	001	A

DOCUMENT STATUS	P1	RELEASE DATE	2022/03/11	14:29:44
-----------------	----	--------------	------------	----------