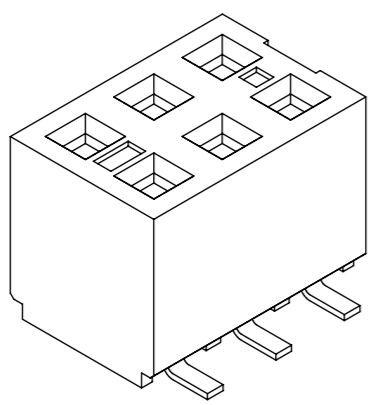
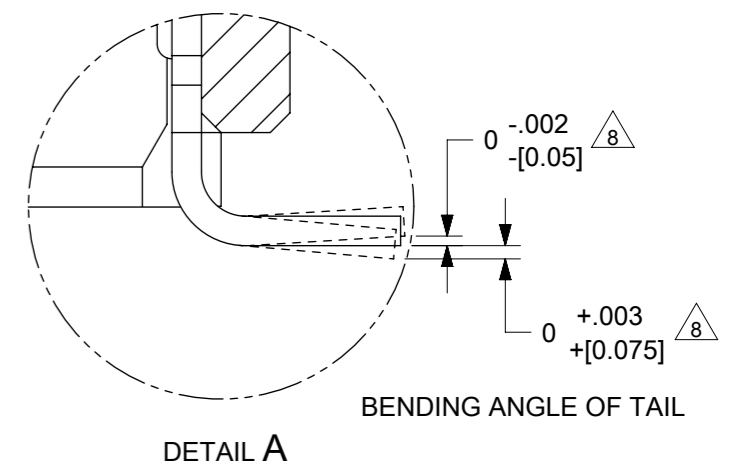
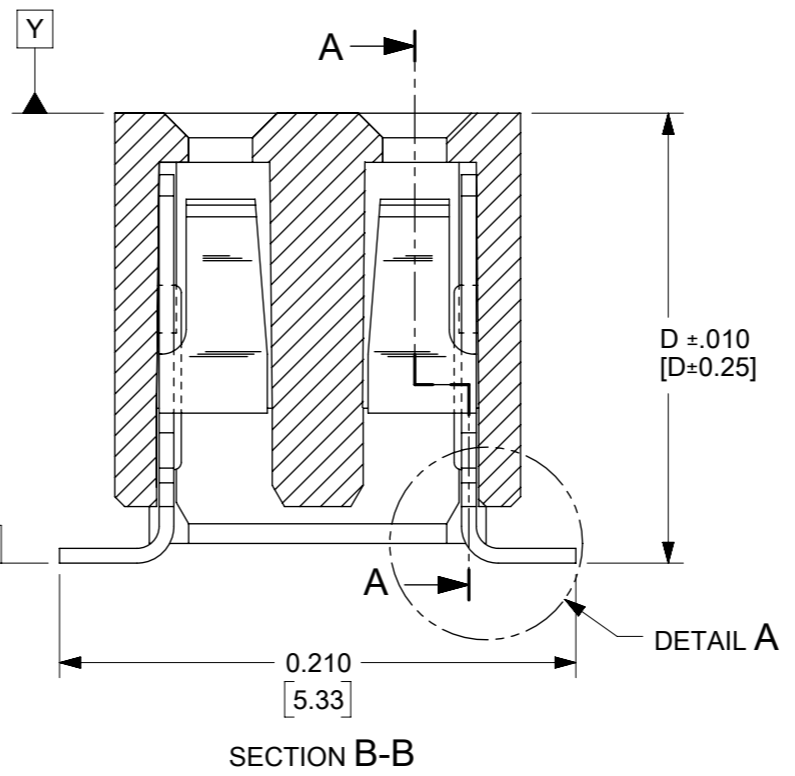
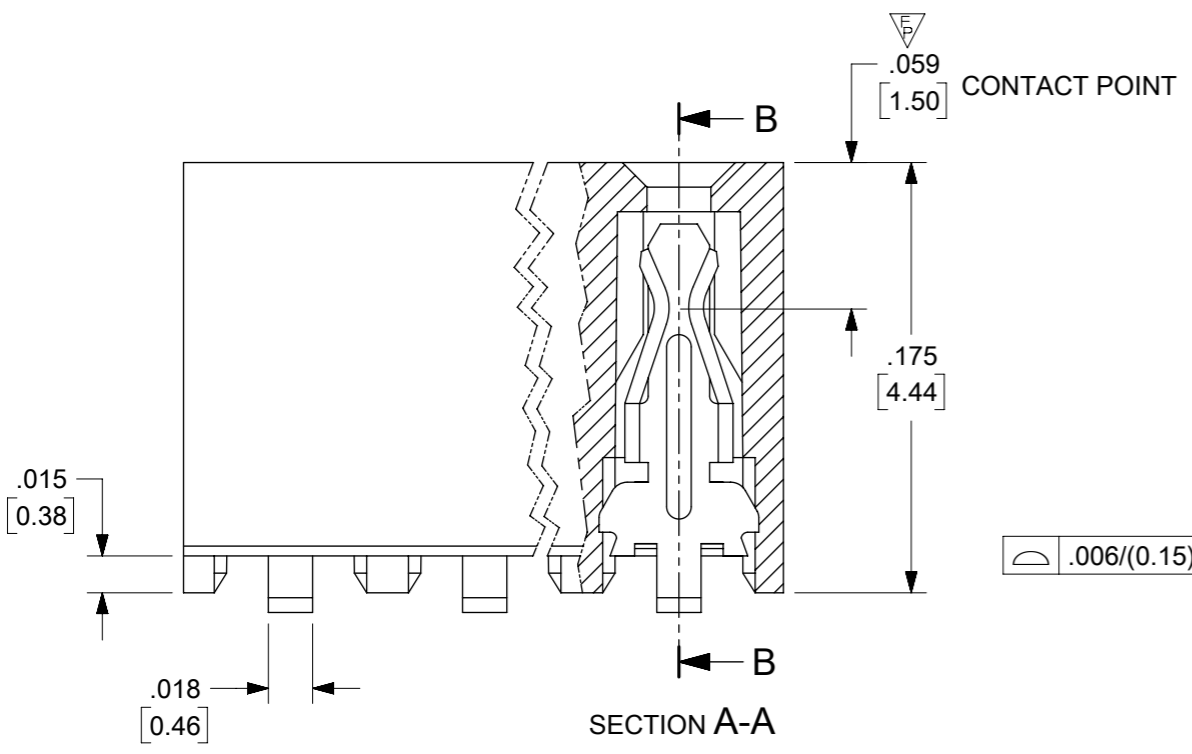


- NOTES:**
- HOUSING MATERIAL:
LCP, GLASS FILLED, UL 94V-0
COLOUR BLACK.
 - TERMINAL MATERIAL:
PHOSPHOR BRONZE
 - SEE APPROPRIATE SHEET FOR CIRCUIT SIZE,
PART NUMBERS AND OVERALL DIMENSIONS.
 - 6 CKT WITHOUT CAP ASSY IS SHOWN FOR ILLUSTRATION ONLY.
 - REFER TO PRODUCT SPEC PS-79107.
 - TAPE PACKAGING PER PK-70873-0259
 - CKT LOCATIONS ARE NUMBERED FROM LEFT TO
RIGHT WHEN VIEWING ASSY FROM TOP WITH
THE GATE RECESS ON THE RIGHT AS SHOWN.
 - MEASUREMENT IS TAKEN BETWEEN THE TANGENT OF
THE TOE TO TIP OF THE TERMINAL.

RECOMMENDED PCB PAD LAYOUT

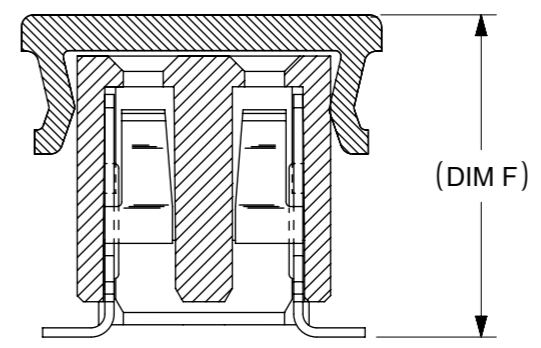
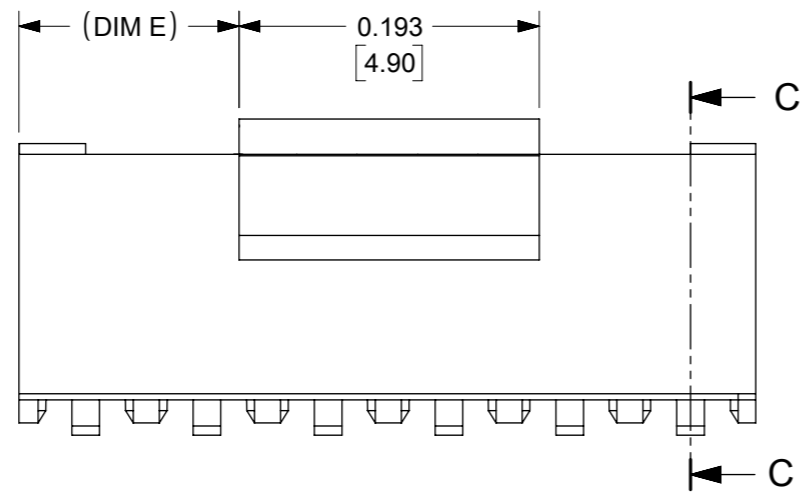
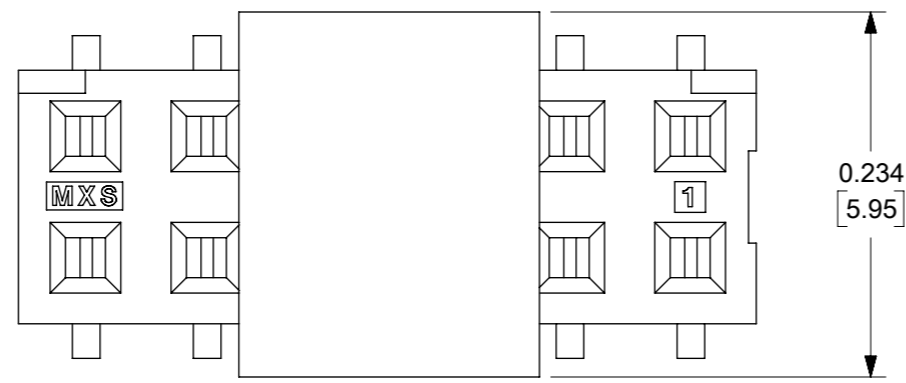
PLATING OPTION:

- 30µ" (0.75µm) MIN. GOLD PLATE IN SELECTED AREA AND
75µ" (1.88µm) MIN. TIN PLATE IN SELECTED AREA OVER
50µ" (1.25µm) MIN. NICKEL OVERALL.
- 15µ" (0.38µm) MIN. GOLD PLATE IN SELECTED AREA AND
75µ" (1.88µm) MIN. TIN PLATE IN SELECTED AREA OVER
50µ" (1.25µm) MIN. NICKEL OVERALL.
- 5µ" (0.13µm) MIN. GOLD PLATE IN SELECTED AREA AND
75µ" (1.88µm) MIN. TIN PLATE IN SELECTED AREA OVER
50µ" (1.25µm) MIN. NICKEL OVERALL.



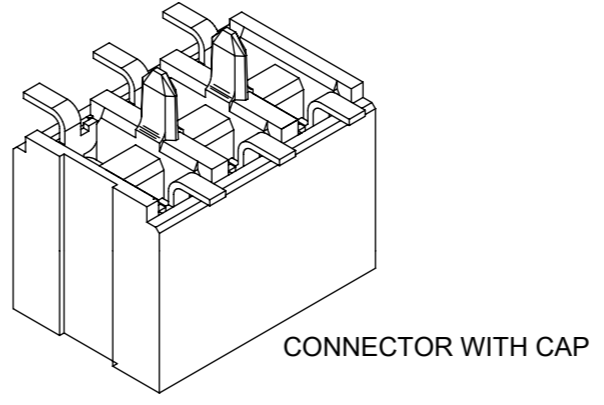
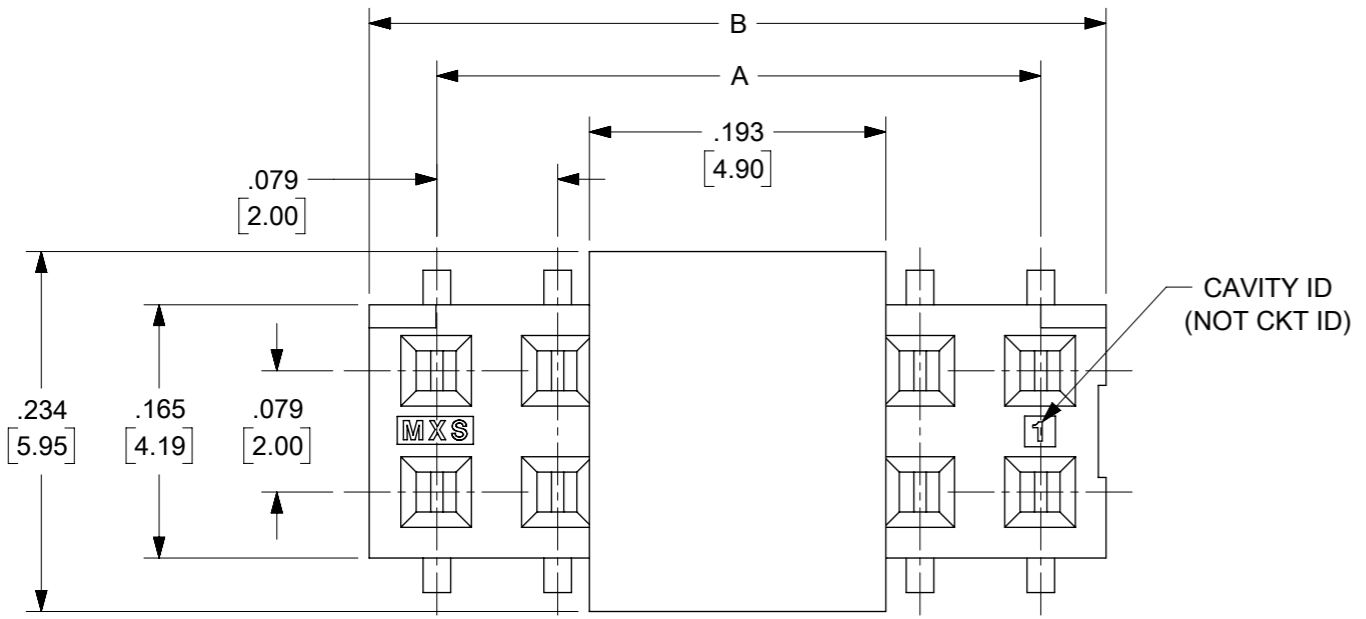
SYMBOLS	THIS DRAWING CONTAINS INFORMATION THAT IS PROPRIETARY TO MOLEX ELECTRONIC TECHNOLOGIES, LLC AND SHOULD NOT BE USED WITHOUT WRITTEN PERMISSION		CURRENT REV DESC:		molex
	mm	NTS			
▽ = 0	GENERAL TOLERANCES (UNLESS SPECIFIED)		EC NO: 716564		2MM DUAL ROW VERTICAL RECEPTACLE, SMT
▽ = 0			DRWN: DANUSA 2022/08/02		
▽ = 0			CHK'D: DANUSA 2022/08/03		PRODUCT CUSTOMER DRAWING
▽ = 0			APPR: MRAMAKRISHNA 2022/08/03		
▽ = 0			INITIAL REVISION:		DOCUMENT NUMBER SD-79109-006
▽ = 0			DRWN: DRWN BY XXXX/XX/XX		
▽ = 0			APPR: APPR BY XXXX/XX/XX		DOC TYPE PSD
▽ = 0			DRAFT WHERE APPLICABLE MUST REMAIN WITHIN DIMENSIONS		DOC PART 001
▽ = 0			THIRD ANGLE PROJECTION		REVISION A11
▽ = 0			DRAWING A3-SIZE		SHEET NUMBER 1 OF 5
▽ = 0			SERIES 79109		CUSTOMER GENERAL MARKET

CKT. SIZE	DIM A		DIM B		DIM C		DIM D		DIM E		DIM F		ITEM No.	PLATING OPTION SEE SHEET 1		
	INCH	MM	INCH	MM	INCH	MM	INCH	MM	INCH	MM	INCH	MM				
4	.079	(2.00)	.165	(4.19)	-	-	.183	(4.65)	-	-	.207	(5.25)	79109-9104	1		
														79109-9504	2	
8	.236	(6.00)	.322	(8.19)	-	-	.183	(4.65)	.065	(1.65)					79109-9208	2
10	.315	(8.00)	.401	(10.19)	-	-	.183	(4.65)	.104	(2.65)					79109-9210	2
12	.394	(10.00)	.480	(12.19)	-	-	.183	(4.65)	.144	(3.65)					79109-9212	2
14	.472	(12.00)	.559	(14.19)	-	-	.183	(4.65)	.183	(4.65)					79109-9214	2



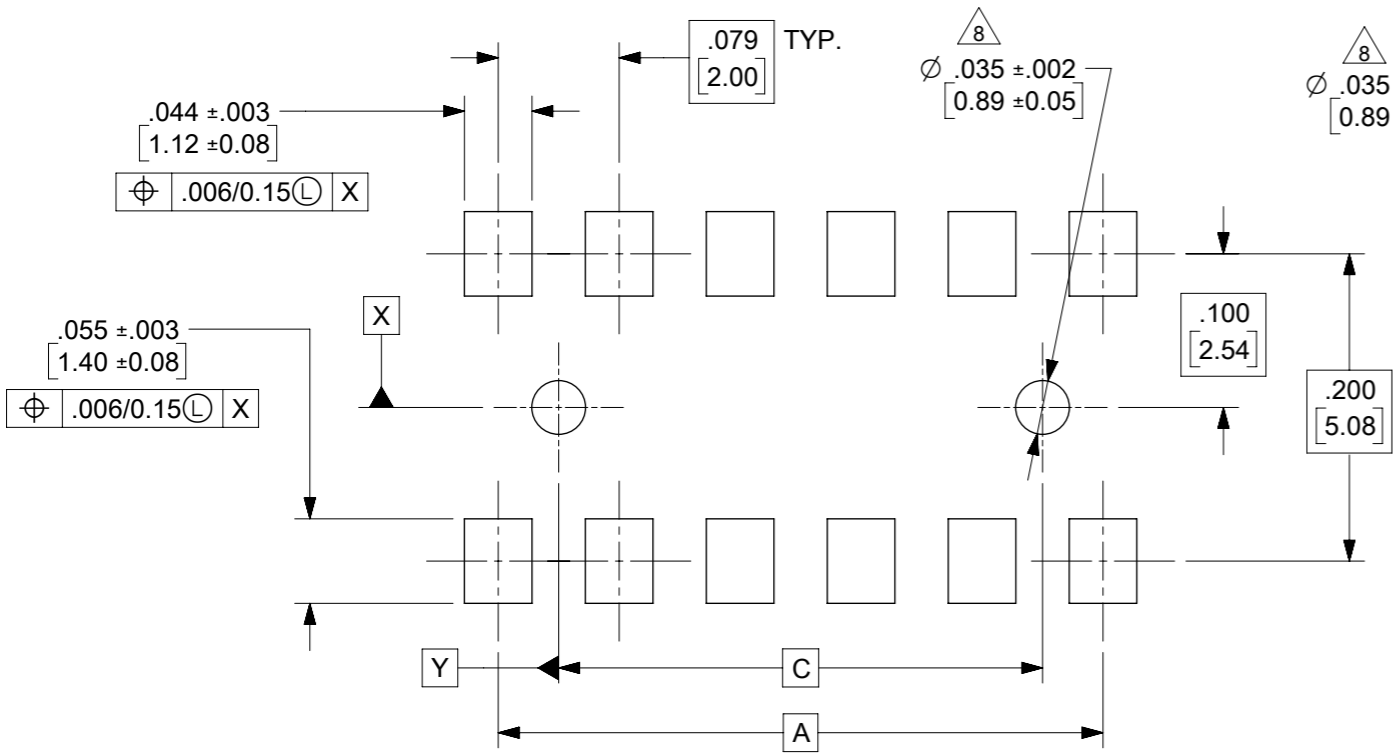
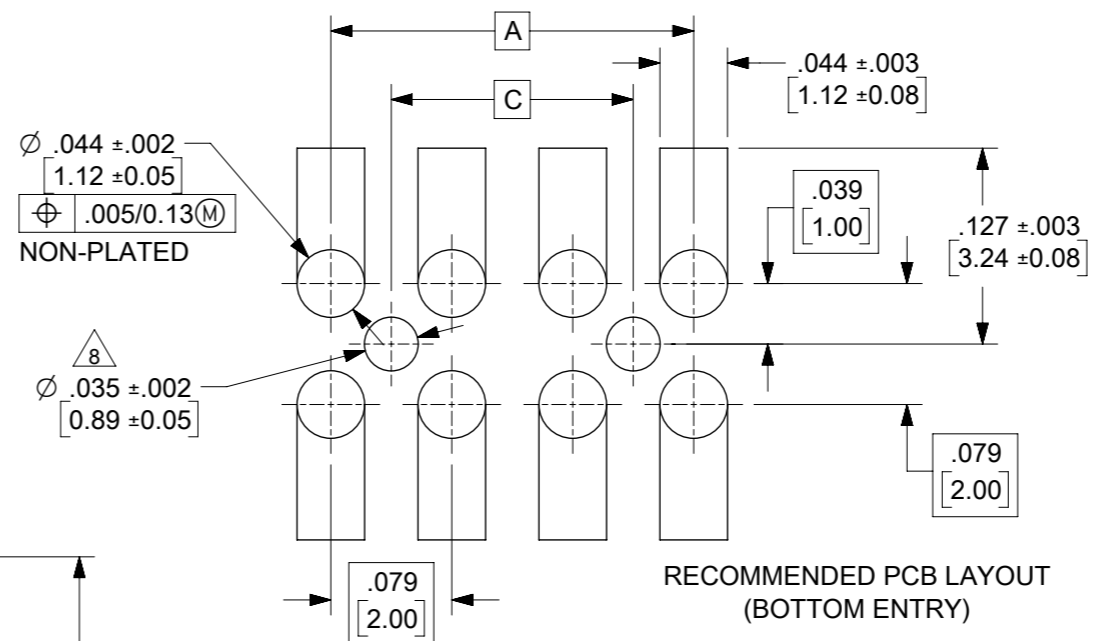
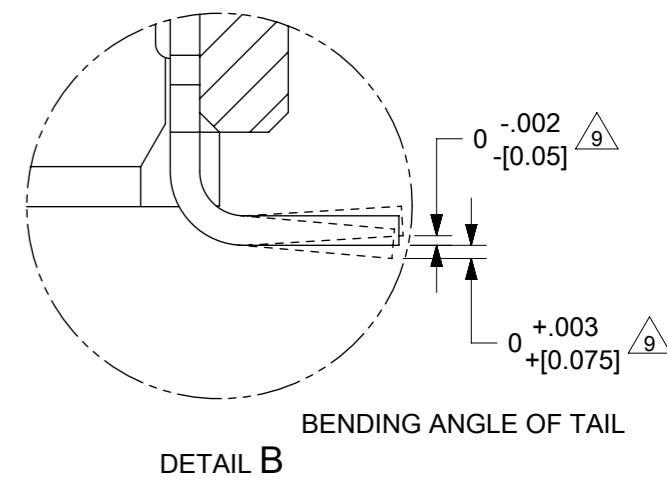
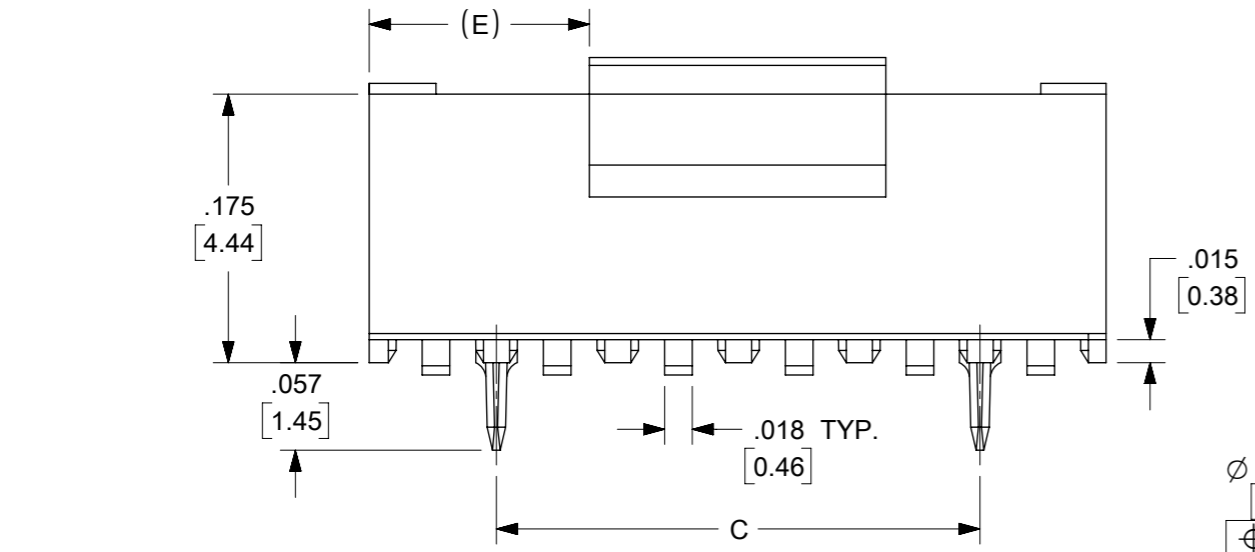
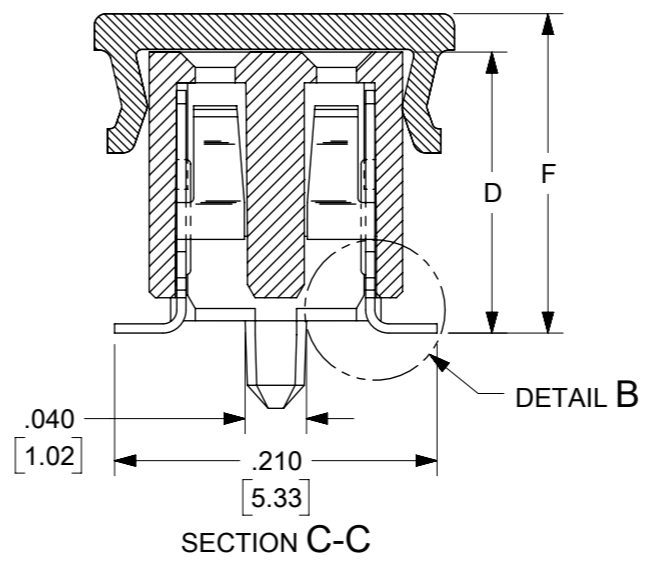
SECTION C-C

SYMBOLS = 0 = 0 = 0 = 0 = 0 = 0 = 0 = 0 = 0	THIS DRAWING CONTAINS INFORMATION THAT IS PROPRIETARY TO MOLEX ELECTRONIC TECHNOLOGIES, LLC AND SHOULD NOT BE USED WITHOUT WRITTEN PERMISSION		SCALE DIMENSION UNITS: mm NTS		CURRENT REV DESC: EC NO: 716564 DRWN: DANUSA 2022/08/02 CHK'D: DANUSA 2022/08/03 APPR: MRAMAKRISHNA 2022/08/03		 2MM DUAL ROW VERTICAL RECEPTACLE, SMT	
	GENERAL TOLERANCES (UNLESS SPECIFIED)		INITIAL REVISION: DRWN: DRWN BY XXXX/XX/XX APPR: APPR BY XXXX/XX/XX		PRODUCT CUSTOMER DRAWING			
	4 PLACES ± ± 3 PLACES ± ± 0.01 2 PLACES ± 0.25 ± 0.015 1 PLACE ± 0.38 ± 0 PLACES ± ± ANGULAR TOL ± 3.0°		DRAFT WHERE APPLICABLE MUST REMAIN WITHIN DIMENSIONS		THIRD ANGLE PROJECTION 		DOCUMENT NUMBER: SD-79109-006 DOC TYPE: PSD DOC PART: 001 REVISION: A11	
	DRAFT WHERE APPLICABLE MUST REMAIN WITHIN DIMENSIONS		DRAWING: A3-SIZE SERIES: 79109		MATERIAL NUMBER: CUSTOMER: GENERAL MARKET		SHEET NUMBER: 2 OF 5	



NOTES:

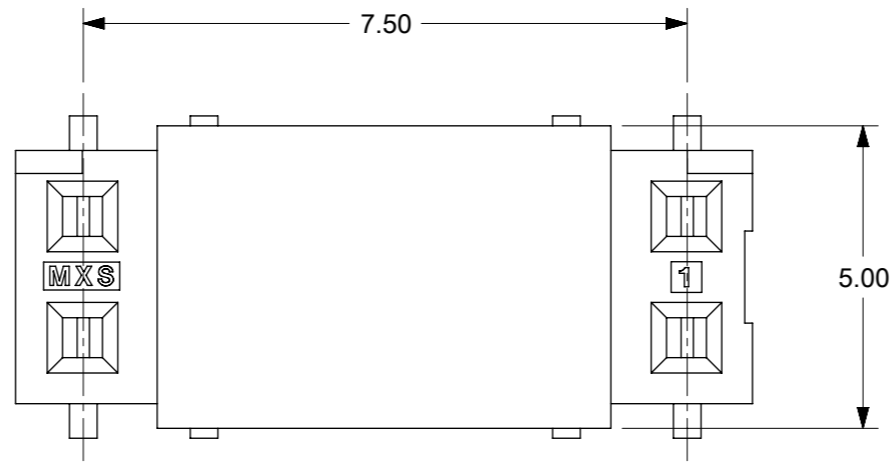
1. HOUSING MATERIAL : GLASS FILLED HIGH TEMP. THERMOPLASTIC. COLOR: BLACK.
2. TERMINAL MATERIAL: PHOSPHOR BRONZE
3. SEE APPROPRIATE SHEET FOR CIRCUIT SIZE, PART NUMBERS AND OVER-ALL DIMENSIONS.
4. FOR ILLUSTRATION, 6 & 12 CIRCUIT ASSEMBLY SHOWN.
5. REFER TO PRODUCT SPECIFICATION PS-79107.
6. TAPE PACKAGING PER PK-70873-0259.
7. SEE PSX-79107 FOR SUGGESTED BOTTOM ENTRY PIN LENGTHS.
8. .035 DIA. FOR PRESS FIT ONLY. USE .039±0.002 FOR ALIGNMENT PURPOSES ON PICK AND PLACE.
9. MEASUREMENT IS TAKEN BETWEEN THE TANGENT OF THE TOE TO TIP OF THE TERMINAL.



SYMBOLS		THIS DRAWING CONTAINS INFORMATION THAT IS PROPRIETARY TO MOLEX ELECTRONIC TECHNOLOGIES, LLC AND SHOULD NOT BE USED WITHOUT WRITTEN PERMISSION		CURRENT REV DESC:		molex	
▽ = 0	mm	SCALE		EC NO: 716564			
▽ = 0	NTS	GENERAL TOLERANCES (UNLESS SPECIFIED)		DRWN: DANUSA 2022/08/02		2MM DUAL ROW	
▽ = 0		MM	INCH	CHK'D: DANUSA 2022/08/03		VERTICAL RECEPTACLE, SMT	
▽ = 0	4 PLACES ±			APPR: MRAMAKRISHNA 2022/08/03		PRODUCT CUSTOMER DRAWING	
▽ = 0	3 PLACES ±	± 0.01		INITIAL REVISION:		DOCUMENT NUMBER	
▽ = 0	2 PLACES ±	± 0.25	± 0.015	DRWN: DRWN BY XXXX/XX/XX		SD-79109-006	
▽ = 0	1 PLACE ±	0.38		APPR: APPR BY XXXX/XX/XX		DOC TYPE DOC PART REVISION	
▽ = 0	0 PLACES ±			THIRD ANGLE PROJECTION		PSD 001 A11	
▽ = 0	ANGULAR TOL ±	3.0°		DRAWING		SHEET NUMBER	
▽ = 0	DRAFT WHERE APPLICABLE MUST REMAIN WITHIN DIMENSIONS			SERIES		GENERAL MARKET	
▽ = 0				MATERIAL NUMBER		3 OF 5	
▽ = 0				CUSTOMER			

PARTS WITH PEG

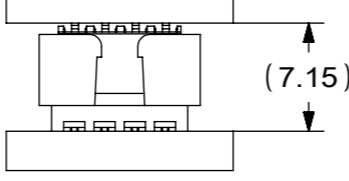
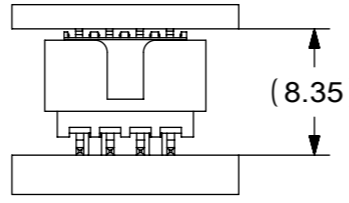
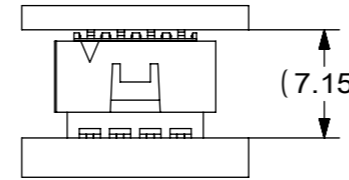
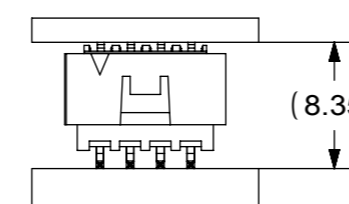
CKT. SIZE	DIM A		DIM B		DIM C		DIM D		DIM E		DIM F		ITEM No.	ASSEMBLY P/N WITH KAPTON TAPE	PLATING OPTION SEE SHEET 1
	INCH	MM	INCH	MM	INCH	MM	INCH	MM	INCH	MM	INCH	MM			
A11 6	.157	(4.00)	.164	(4.19)	.078	(2.00)		(4.65)	--	--			79109-8625	-	2
8	.236	(6.00)	.322	(8.19)	.157	(4.00)	.183	(4.65)	.065	(1.65)			79109-9108	-	1
10	.315	(8.00)	.401	(10.19)	.236	(6.00)	.183	(4.65)	.104	(2.65)	.207	(5.25)	79109-9110	-	2
18	.630	(16.00)	.716	(18.19)	.551	(14.00)	.183	(4.65)	.262	(6.65)			79109-9118	79109-9318	1
26	.945	(24.00)	1.03	(26.19)	.866	(22.00)	.183	(4.65)	.419	(10.64)			79109-9126	-	2


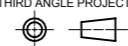


12CKT WITH KAPTON TAPE ILLUSTRATION

SYMBOLS DIMENSION UNITS: mm, NTS SCALE: GENERAL TOLERANCES (UNLESS SPECIFIED) 4 PLACES ± 0.01 3 PLACES ± 0.01 2 PLACES ± 0.25 ± 0.015 1 PLACE ± 0.38 0 PLACES ± 0.01 ANGULAR TOL ± 3.0° DRAFT WHERE APPLICABLE MUST REMAIN WITHIN DIMENSIONS	THIS DRAWING CONTAINS INFORMATION THAT IS PROPRIETARY TO MOLEX ELECTRONIC TECHNOLOGIES, LLC AND SHOULD NOT BE USED WITHOUT WRITTEN PERMISSION		CURRENT REV DESC: EC NO: 716564 DRWN: DANUSA 2022/08/02 CHK'D: DANUSA 2022/08/03 APPR: MRAMAKRISHNA 2022/08/03				
	INITIAL REVISION: DRWN: DRWN BY XXXX/XX/XX APPR: APPR BY XXXX/XX/XX		PRODUCT CUSTOMER DRAWING		DOCUMENT NUMBER: SD-79109-006 DOC TYPE: PSD DOC PART: 001 REVISION: A11		
	THIRD ANGLE PROJECTION		DRAWING: A3-SIZE		SERIES: 79109		MATERIAL NUMBER: GENERAL MARKET
	SHEET NUMBER: 4 OF 5		CUSTOMER:		SHEET NUMBER: 4 OF 5		

BOARD TO BOARD (BTB) DISTANCE

RECEPTACLE	MATES WITH(HEADER)	BTB DISTANCE	PICTORIAL VIEW
79109	87831	7.15	
	87832	8.35	
	151117	7.15	
	151118	8.35	

SYMBOLS	THIS DRAWING CONTAINS INFORMATION THAT IS PROPRIETARY TO MOLEX ELECTRONIC TECHNOLOGIES, LLC AND SHOULD NOT BE USED WITHOUT WRITTEN PERMISSION		CURRENT REV DESC:				
	DIMENSION UNITS	SCALE					
▽ = 0	mm	NTS	DRWN: DANUSA 2022/08/02		2MM DUAL ROW VERTICAL RECEPTACLE, SMT		
▽ = 0	GENERAL TOLERANCES (UNLESS SPECIFIED)		CHK'D: DANUSA 2022/08/03				
▽ = 0			MM	INCH	PRODUCT CUSTOMER DRAWING		
▽ = 0	4 PLACES ±	±					
▽ = 0	3 PLACES ±	± 0.01			INITIAL REVISION:		
▽ = 0	2 PLACES ±	± 0.015			DRWN: DRWN BY XXXX/XX/XX		
▽ = 0	1 PLACE ±	± 0.38			APPR: APPR BY XXXX/XX/XX		
▽ = 0	0 PLACES ±	±			DOCUMENT NUMBER		
▽ = 0	ANGULAR TOL ± 3.0°				SD-79109-006		
▽ = 0	DRAFT WHERE APPLICABLE MUST REMAIN WITHIN DIMENSIONS		THIRD ANGLE PROJECTION	DRAWING	SERIES	MATERIAL NUMBER	CUSTOMER
▽ = 0				A3-SIZE	79109		GENERAL MARKET
							DOC TYPE DOC PART REVISION
							PSD 001 A11
							SHEET NUMBER
							5 OF 5