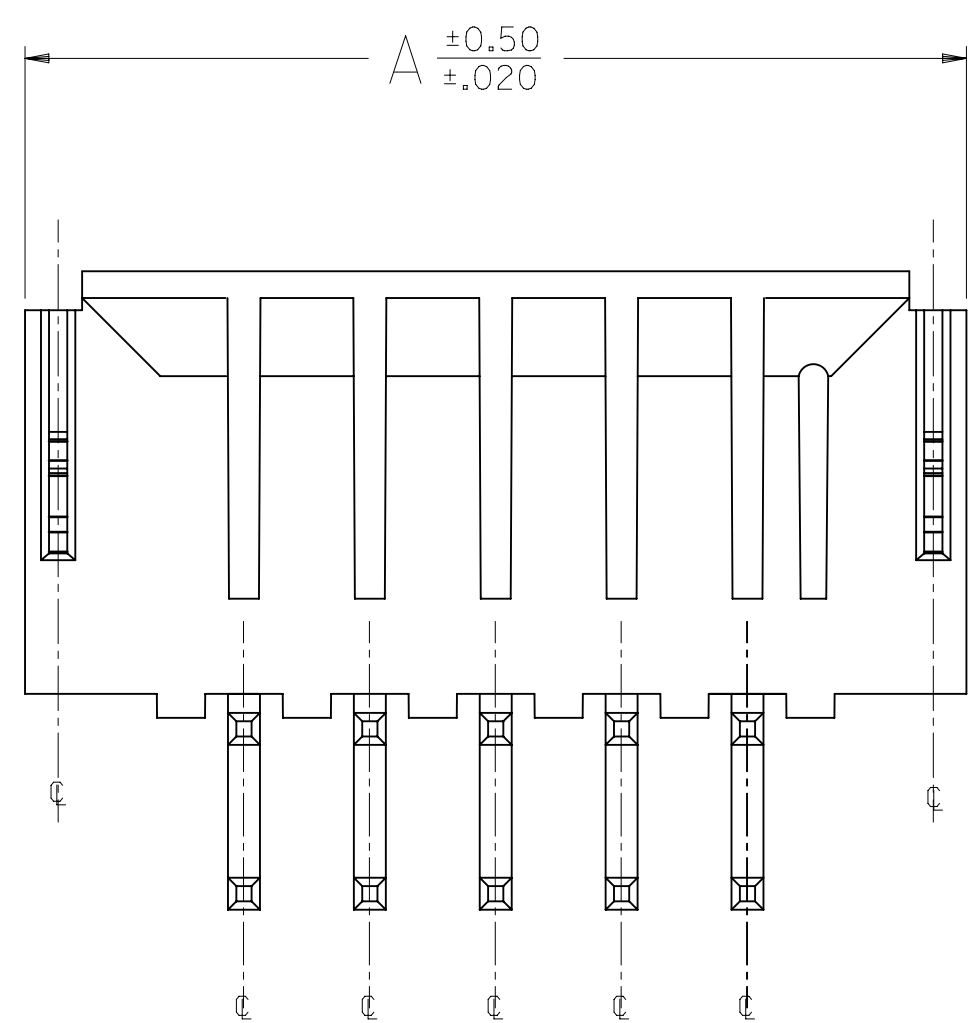
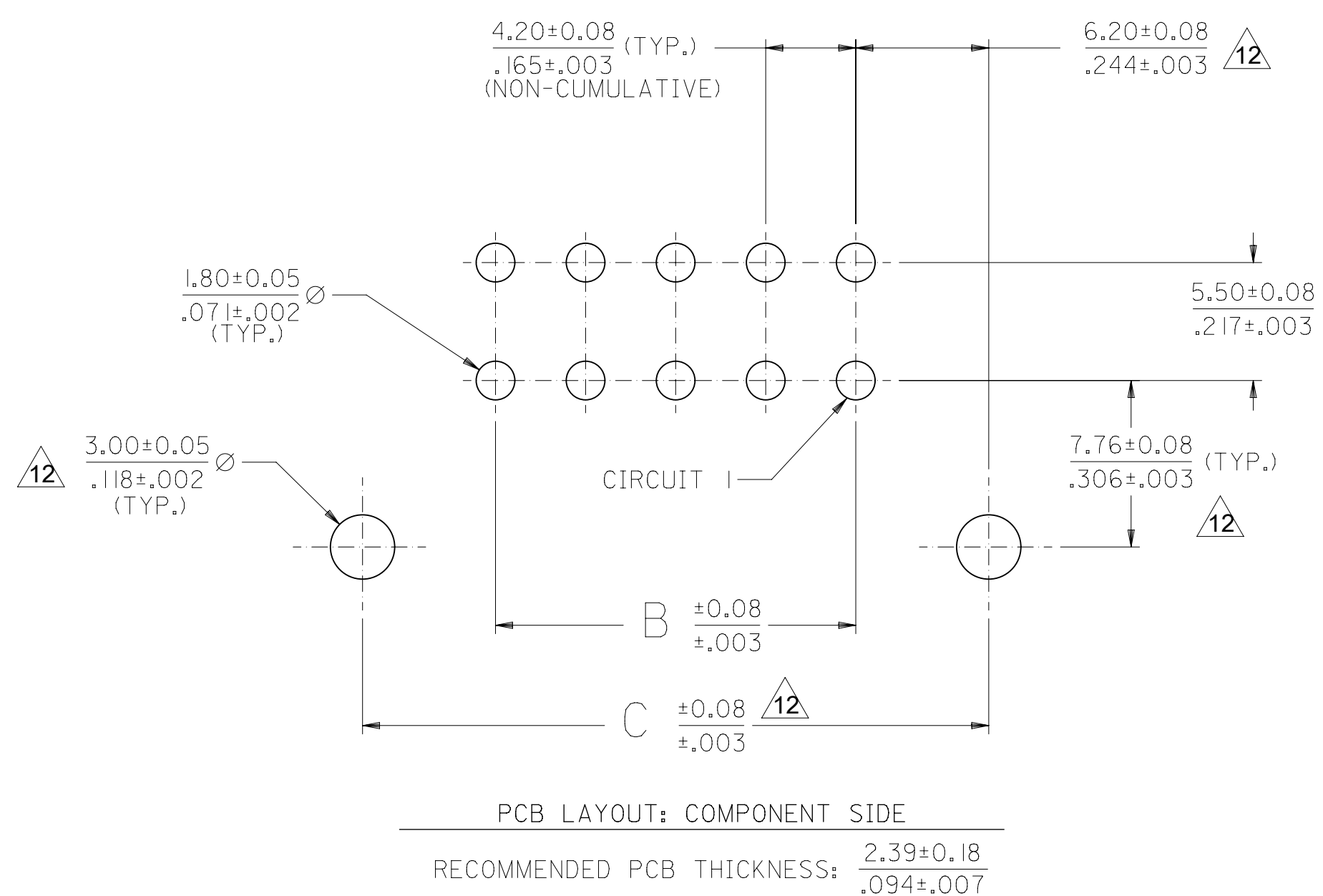
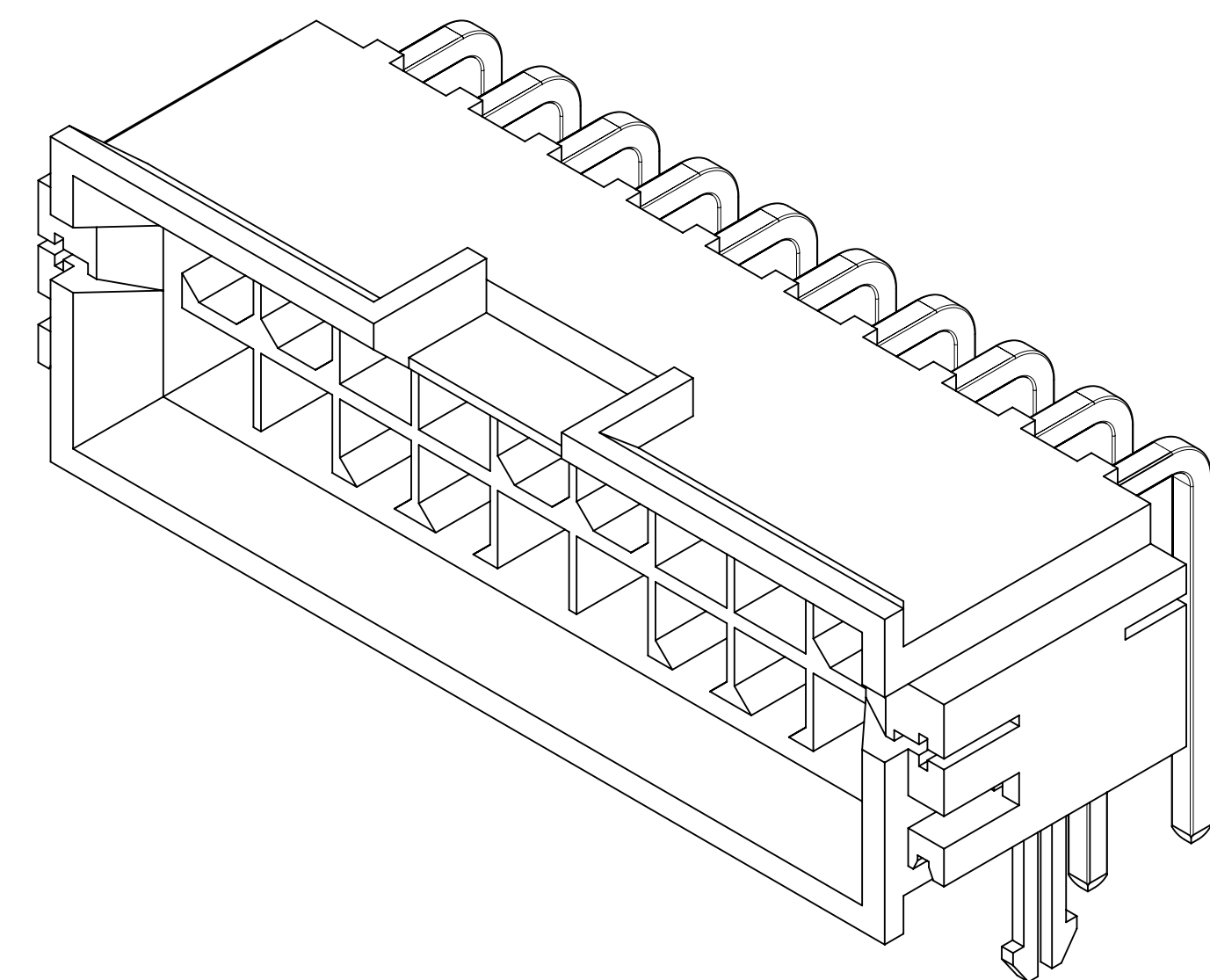


- NOTES
- 1) MATERIALS
HOUSING: NYLON 4/6 UL 94V-0 GLASS FILLED, COLOR: BLACK
TERMINAL: BRASS
BOARD RETENTION CLIP: BRASS
 - 2) FINISHES:
TERMINAL:
1.=(0.00254)/.000100 MIN. BRIGHT TIN OVER
(0.00127)/.000050 MIN. NICKEL
2.=(0.00076)/.000030 MIN. SELECT GOLD AND
(0.00254)/.000100 MIN. SELECT MATTE TIN
OVER (0.00127)/.000050 MIN. NICKEL OVERALL
4.=(0.00152)/.000060 MIN. REFLOWED MATTE TIN OVER
(0.00127)/.000050 MIN. NICKEL OVERALL
MOUNTING CLIP:
(0.00254)/.000100 MIN. MATTE TIN OVER
(0.00127)/.000050 MIN. NICKEL
 - 3) PRODUCT SPECIFICATION: PS-43810-001
 - 4) PACKAGING SPECIFICATION: PK-43810-001
 - 5) PARTS MATES WITH MOLEX RECP TACTLE #5557 AND #42474 AND #44516 AND #42385 HEADER
 - 6) PART ALLOWS FOR (1.27)/.050 MAX MIS-ALIGNMENT WITH MATING HOUSINGS IN ANY DIRECTION
 - 7) CONNECTOR ASSEMBLIES ARE NOT TO BE MATED AND UNMATED WHILE CIRCUITS ARE LIVE
 - 8) PARTS ARE NOT DESIGNED FOR CURRENT SHARING
 - 9) DISCOLORATION IN THE BANDOLIAR CARRIER AREA OF THE PIN IS INHERENT TO THE PLATING PROCESS AND IS DUE TO THE MASKING EFFECT OF THE CARRIER. THIS DISCOLORATION IS IN A NON-FUNCTIONAL AREA OF THE PIN AND WILL NOT AFFECT THE PERFORMANCE OF THE HEADER ASSEMBLY.
 - 10) PART CONFORMS TO CLASS "B" REQUIREMENTS OF COSMETIC SPECIFICATION PS-45499-002
 - 11) FORMING MARKS ARE ACCEPTABLE
 - 12) DIMENSION DOES NOT APPLY TO PARTS WITHOUT CLIP OPTION.
 - 13) TEXT ON PART IS FOR REFERENCE ONLY. TEXT AND TEXT LOCATION MAY VARY DEPENDING ON PART NUMBER AND/OR TOOL.



HEADER ASSEMBLY
WITH NO CLIP OPTION



QUALITY SYMBOLS	THIS DRAWING CONTAINS INFORMATION THAT IS PROPRIETARY TO MOLEX ELECTRONIC TECHNOLOGIES, LLC AND SHOULD NOT BE USED WITHOUT WRITTEN PERMISSION		DIMENSION UNITS		SCALE		
$\nabla = 0$	2017/02/17	2017/04/18	GENERAL TOLERANCES (UNLESS SPECIFIED)		MM/IN		
$\nabla = 0$	CONVERT TO INX EC NO. 114248 DRWN: BAPPELDORN CHKD: J.BELL REV: APPR: FSMITH	2017/04/18 2017/04/28	4 PLACES \pm \pm		DRWN BY	DATE	MINI-FIT JR BMI RIGHT ANGLE HEADER ASM. FOR 2.39/.094 THK. PCB
$\nabla = 0$			3 PLACES \pm ± 0.01		MANLAPAZ	1997/01/06	
$\nabla = 0$			2 PLACES ± 0.25 ± 0.014		BANDURA	1997/03/26	
$\nabla = 0$			1 PLACES ± 0.35 \pm		APPR BY	DATE	
$\nabla = 0$			0 PLACES \pm \pm		FSMITH	2012/01/19	
$\square = 0$	ANGULAR TOL $\neq 0.5$		DRAWING SIZE	THIRD ANGLE PROJECTION	PRODUCT CUSTOMER DRAWING SERIES MATERIAL NUMBER CUSTOMER 43810 SEE CHART GENERAL MARKET		
$\square = 0$	DRAFT WHERE APPLICABLE MUST REMAIN WITHIN DIMENSIONS		D		DOCUMENT NUMBER DOC TYPE DOC PART SHEET NUMBER SD-43810-031 PSD 000 1 OF 2		

MATERIAL NO.	CIRCUIT SIZE	CLIP OPTION	DIM. "A"	DIM. "B"	DIM. "C"	FINISH
43810-0045	4	YES	18.81 .740	4.20 .165	16.60 .653	1
43810-0046	6	YES	23.01 .906	8.40 .331	20.80 .819	1
43810-0047	8	YES	27.21 1.071	12.60 .496	25.00 .984	1
43810-0048	10	YES	31.41 1.237	16.80 .661	29.20 1.150	1
43810-0049	12	YES	35.61 1.402	21.00 .828	33.40 1.315	1
43810-0050	14	YES	39.81 1.567	25.20 .992	37.60 1.480	1
43810-0051	16	YES	44.01 1.733	29.40 1.157	41.80 1.646	1
43810-0052	18	YES	48.21 1.898	33.60 1.323	46.00 1.811	1
43810-0053	20	YES	52.41 2.063	37.80 1.488	50.20 1.976	1
43810-0054	22	YES	56.61 2.229	42.00 1.654	54.40 2.142	1
43810-0055	24	YES	60.81 2.394	46.20 1.819	58.60 2.307	1
43810-0056	4	YES	18.81 .740	4.20 .165	16.60 .653	2
43810-0057	6	YES	23.01 .906	8.40 .331	20.80 .819	2
43810-0058	8	YES	27.21 1.071	12.60 .496	25.00 .984	2
43810-0059	10	YES	31.41 1.237	16.80 .661	29.20 1.150	2
43810-0060	12	YES	35.61 1.402	21.00 .828	33.40 1.315	2
43810-0061	14	YES	39.81 1.567	25.20 .992	37.60 1.480	2
43810-0062	16	YES	44.01 1.733	29.40 1.157	41.80 1.646	2
43810-0063	18	YES	48.21 1.898	33.60 1.323	46.00 1.811	2
43810-0064	20	YES	52.41 2.063	37.80 1.488	50.20 1.976	2
43810-0065	22	YES	56.61 2.229	42.00 1.654	54.40 2.142	2
43810-0066	24	YES	60.81 2.394	46.20 1.819	58.60 2.307	2

N = NOT TOOLED

MATERIAL NO.	CIRCUIT SIZE	CLIP OPTION	DIM. "A"	DIM. "B"	DIM. "C"	FINISH
43810-0265	4	NO	18.81 .740	4.20 .165	16.60 .653	1
43810-0266	6	NO	23.01 .906	8.40 .331	20.80 .819	1
43810-0267	8	NO	27.21 1.071	12.60 .496	25.00 .984	1
43810-0268	10	NO	31.41 1.237	16.80 .661	29.20 1.150	1
43810-0269	12	NO	35.61 1.402	21.00 .828	33.40 1.315	1
43810-0270	14	NO	39.81 1.567	25.20 .992	37.60 1.480	1
43810-0271	16	NO	44.01 1.733	29.40 1.157	41.80 1.646	1
43810-0272	18	NO	48.21 1.898	33.60 1.323	46.00 1.811	1
43810-0273	20	NO	52.41 2.063	37.80 1.488	50.20 1.976	1
43810-0274	22	NO	56.61 2.229	42.00 1.654	54.40 2.142	1
43810-0275	24	NO	60.81 2.394	46.20 1.819	58.60 2.307	1
43810-0276	4	NO	18.81 .740	4.20 .165	16.60 .653	2
43810-0277	6	NO	23.01 .906	8.40 .331	20.80 .819	2
43810-0278	8	NO	27.21 1.071	12.60 .496	25.00 .984	2
43810-0279	10	NO	31.41 1.237	16.80 .661	29.20 1.150	2
43810-0280	12	NO	35.61 1.402	21.00 .828	33.40 1.315	2
43810-0281	14	NO	39.81 1.567	25.20 .992	37.60 1.480	2
43810-0282	16	NO	44.01 1.733	29.40 1.157	41.80 1.646	2
43810-0283	18	NO	48.21 1.898	33.60 1.323	46.00 1.811	2
43810-0284	20	NO	52.41 2.063	37.80 1.488	50.20 1.976	2
43810-0285	22	NO	56.61 2.229	42.00 1.654	54.40 2.142	2
43810-0286	24	NO	60.81 2.394	46.20 1.819	58.60 2.307	2

N = NOT TOOLED

MATERIAL NO.	CIRCUIT SIZE	CLIP OPTION	DIM. "A"	DIM. "B"	DIM. "C"	FINISH
43810-0548	10	YES	31.41 1.237	16.80 .661	29.20 1.150	4
43810-0550	14	YES	39.81 1.567	25.20 .992	37.60 1.480	4
43810-0548	12	YES	35.61 1.402	21.00 .828	33.40 1.315	4
43810-0548	16	YES	44.01 1.733	29.40 1.157	41.80 1.646	4
43810-0548	18	YES	48.21 1.898	33.60 1.323	46.00 1.811	4
43810-0548	20	YES	52.41 2.063	37.80 1.488	50.20 1.976	4
43810-0548	22	YES	56.61 2.229	42.00 1.654	54.40 2.142	4
43810-0548	24	YES	60.81 2.394	46.20 1.819	58.60 2.307	4

N = NOT TOOLED

QUALITY SYMBOLS 	THIS DRAWING CONTAINS INFORMATION THAT IS PROPRIETARY TO MOLEX ELECTRONIC TECHNOLOGIES, LLC AND SHOULD NOT BE USED WITHOUT WRITTEN PERMISSION											
	EC NO. 114248 DRWN: BAPPELDORN CHKD: JBELL REV / APPR: FSMITH		2017/02/17 2017/04/18 2017/04/28		GENERAL TOLERANCES (UNLESS SPECIFIED) MM/IN 4 PLACES ± ± 3 PLACES ± ± 0.01 2 PLACES ± 0.25 ± 0.014 1 PLACES ± 0.35 ±		DIMENSION UNITS MM/IN		SCALE 1:1			
	DRWN BY MANLAPAZ		DATE 1997/01/06		CHKD BY BANDURA		DATE 1997/03/26		APPR BY FSMITH		DATE 2012/01/19	
	ANGULAR TOL ± 0.5		DRAFT WHERE APPLICABLE MUST REMAIN WITHIN DIMENSIONS		DRAWING SIZE D		THIRD ANGLE PROJECTION		SERIES 43810		MATERIAL NUMBER SEE CHART	
	CUSTOMER GENERAL MARKET		DOCUMENT NUMBER SD-43810-031		DOC TYPE PSD		DOC PART 000		SHEET NUMBER 2 OF 2		PRODUCT CUSTOMER DRAWING	
	MINI-FIT JR BMI RIGHT ANGLE HEADER ASM. FOR 2.39/.094 THK. PCB											
	RELEASE STATUS											
	RELEASE DATE											