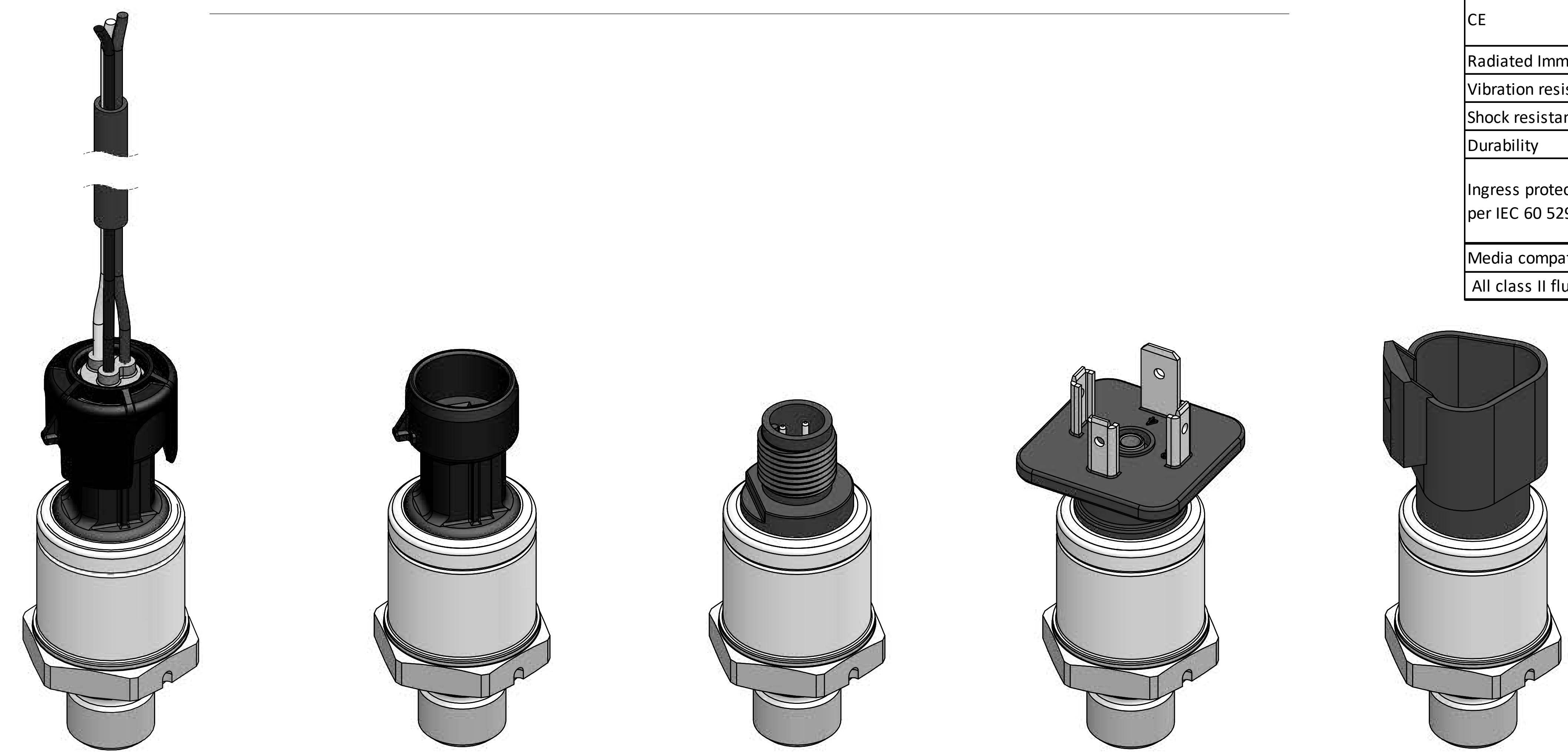


PART NO. DESIGNATION
PTE7100 - 11 A A - 1 A 250B M .810 A

- SENSATA INTERNAL CODE**
- 11: PRESSURE PORT
 - G1/4A DIN 3852-EA
 - 1/4-19 PT (1/4-19 BSPT),(R1/4).....B
 - 7/16-20 UNF SAE J1926-2.....C
 - 1/4-18 NPTD
 - A: ELECTRICAL CONNECTOR (DETAILS SEE PAGE 2)
 - DIN 175301-803 A (18mm).....A
 - M12x1 - 4 POLE.....B
 - PACKARD METRI-PACK 150.....C
 - FLY LEAD HARNESS (2m).....D
 - DEUTSCH DT04-3P.....E
 - A: EXTERNAL SEAL RING
 - NONE.....0
 - FKM (VITON) SEAL RING.....1
ONLY FOR PRESSURE PORT OPTION A
 - HNBR SEAL RING.....2
ONLY FOR PRESSURE PORT OPTION C
- MOQ**
- A.....MOQ500pcs,50pcs PER BOX
 - B.....MOQ50pcs,50pcs PER BOX
 - C.....MOQ500pcs, INDIVIDUAL PACKING
- MATING CONNECTOR AND SNUBBER**
- N.....NONE
 - M.....MATING CONNECTOR, NO SNUBBER
MATING CONNECTOR ONLY FOR DIN 175301-803A
 - S.....NO MATING CONNECTOR, SNUBBER
SNUBBER WITH $\varnothing 0.5\text{mm}$ DAMPING HOLE
 - A.....MATING CONNECTOR, SNUBBER
MATING CONNECTOR ONLY FOR DIN 175301-803A
SNUBBER WITH $\varnothing 0.5\text{mm}$ DAMPING HOLE
- PRESSURE RANGE**
- 050B.....0...50barG
 - 060B.....0...60barG
 - 100B.....0...100barG
 - 160B.....0...160barG
 - 200B.....0...200barG
 - 250B.....0...250barG
 - 350B.....0...350barG
 - 400B.....0...400barG
 - 500B.....0...500barG
 - 600B.....0...600barG
- OUTPUT/INPUT**
- A.....4-20 mA/8-32VDC
 - B..... 0.5-4.5VDC/5 \pm 0.25VDC
 - C.....0-5VDC/8-32VDC
 - D.....0-10 VDC/12-32VDC
 - E..... 1-5VDC/8-32VDC
 - F..... 0.5-4.5VDC/8-32VDC

from 0 to ...	barG	50	60	100	160	200	250	350	400	500	600	...
Proof pressure	barG	200	200	200	500	500	500	800	800	1200	1200	...
Burst pressure	barG	2000	2000	2000	2500	2500	2500	4000	4000	4000	4000	...
Electrical												
Output signal	0...10 VDC	0.5...4.5 VDC		4...20mA		0...5/1...5/0.5...4.5 VDC						...
Operating supply voltage	12...32 VDC	5 \pm 0.25 VDC		8...32 VDC		8...32 VDC						...
Overvoltage protection	min. 36 VDC	Not Applicable		min. 36 VDC		min. 36 VDC						...
Short-circuit proofness*	YES	YES		Not Applicable		YES						...
Reverse polarity protection*	YES	YES		YES		YES						...
Load	$\geq 4.7 \text{ k}\Omega$	$\geq 4.7 \text{ k}\Omega$		$\leq (Vs-8\text{VDC})/(20\text{mA})$		$\geq 4.7 \text{ k}\Omega$...
*Short spec	for min. 1 minute											
*Reverse spec	for min. 10 seconds on assigned pins											
Response time	< 2ms											
Temperature												
Operating	-40°C to +100°C											
Medium	-40°C to +125°C											
Storage*	-40°C to +125°C											
* Storage temperature spec	PVC flying lead are rated for storage temperature range of -40°C to +105°C											
Accuracy												
Basic Accuracy*	$\pm 0.5\%$ FS @ 25°C											
BFSL Accuracy*	$\pm 0.25\%$ FS @ 25°C											
Non-linearity*	$\pm 0.2\%$ FS											
Non-repeatability	$\pm 0.1\%$ FS											
Total error band	$\pm 1.5\%$ FS @ -20°C to 85°C											
*Basic Accuracy	Including non-linearity, hysteresis, zero and span error (corresponds to measured error per IEC 61298-2).											
*BFSL Accuracy	Including non-linearity, hysteresis and non-repeatability, excluding zero and span error (corresponds to the smart options per IEC 60770-1, the instrument is equipped with facilities for offset and span adjustment).											
*Non-linearity spec	BFSL (best-fit-straight-line) according to IEC 61298-2											
Conformity												
RoHS & REACH	YES											
CE	according to EMC Directive 2014/30/EU, EN 61326 Emission and Immunity (industrial locations)											
Radiated Immunity	100V/m @ 80...200MHz; 200V/m @ 200...2700MHz, according to ISO 11452-2											
Vibration resistance	30g (sine) min. according to IEC 60068-2-6											
Shock resistance	500g min. according to IEC 60068-2-27, except fly lead with harness											
Durability	> 10 X 10 ⁶ cycles											
Ingress protection per IEC 60 529	FLY LEAD HARNESS	METRI-PACK 150	M12x1 4-POLE	DIN 175301 - 803A	DEUTSCH DT04-3P	...						
	IP67	IP67	IP67	IP65	IP67	...						
Media compatibility	All class II fluid and gases compatible with port material stainless steel 17-4PH (1.4542)											



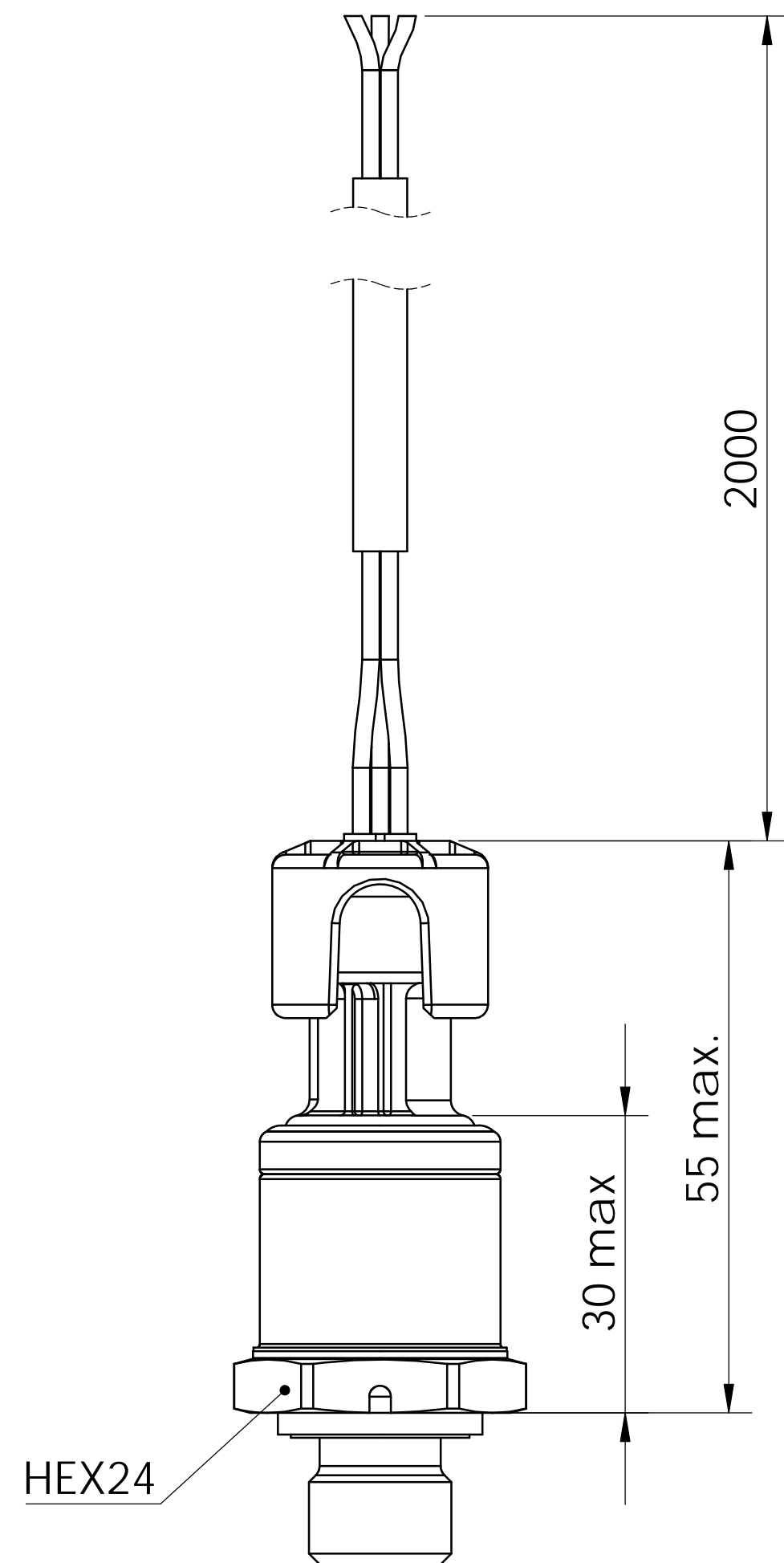
FLY LEAD HARNESS MODEL SHOWN **METRI-PACK 150 MODEL SHOWN** **M12X1 4-POLE MODEL SHOWN** **DIN 175301-803A MODEL SHOWN** **DEUTSCH DT04-3P MODEL SHOWN**

<p>ALL RIGHT RESERVED</p> <p>NEITHER THIS PRINT NOR THE INFORMATION CONTAINED HEREON IS TO BE USED AGAINST THE INTERESTS OF SENSATA TECHNOLOGIES OR AGAINST THE INTERESTS OF ANY OF ITS AFFILIATED COMPANIES OR WHOLLY OWNED SUBSIDIARIES.</p>		<p>INTERPRET DIMENSIONING AND TOLERANCING PER ASME Y14.5-2009. UNLESS OTHERWISE SPECIFIED DIMENSIONS ARE IN MILLIMETERS.</p> <p>TOLERANCES</p> <p>LINEAR ANGULAR</p>	<p>18 CHUANGXIN ROAD XINBEI DISTRICT CHANGZHOU CHINA</p>
<p>DRAWN W. XU</p> <p>DATE 19-MAY-2017</p> <p>ENGINEER W. XU</p> <p>DATE 19-MAY-2017</p> <p>APPROVED L. LI</p> <p>DATE 19-MAY-2017</p> <p>APPROVED</p> <p>DATE</p>	<p>DO NOT SCALE DRAWING</p> <p>METHOD</p> <p>THIRD ANGLE PROJECTION</p>		
<p>SENSATA Technologies</p>		<p>TITLE</p> <p>PRESSURE TRANSDUCER</p>	<p>SIZE</p> <p>A1</p>
<p>SCALE</p> <p>2:1</p>		<p>NUMBER</p> <p>PTE7100-TAB-ENV</p>	<p>REV</p> <p>F</p>
<p>SHEET</p> <p>1 OF 3</p>			

BUILT IN ELECTRICAL CONNECTOR OPTIONS

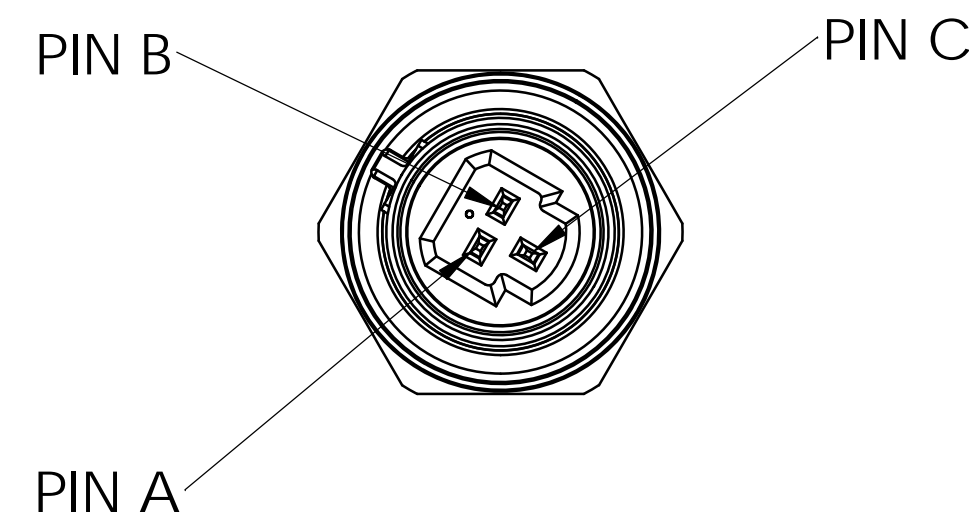
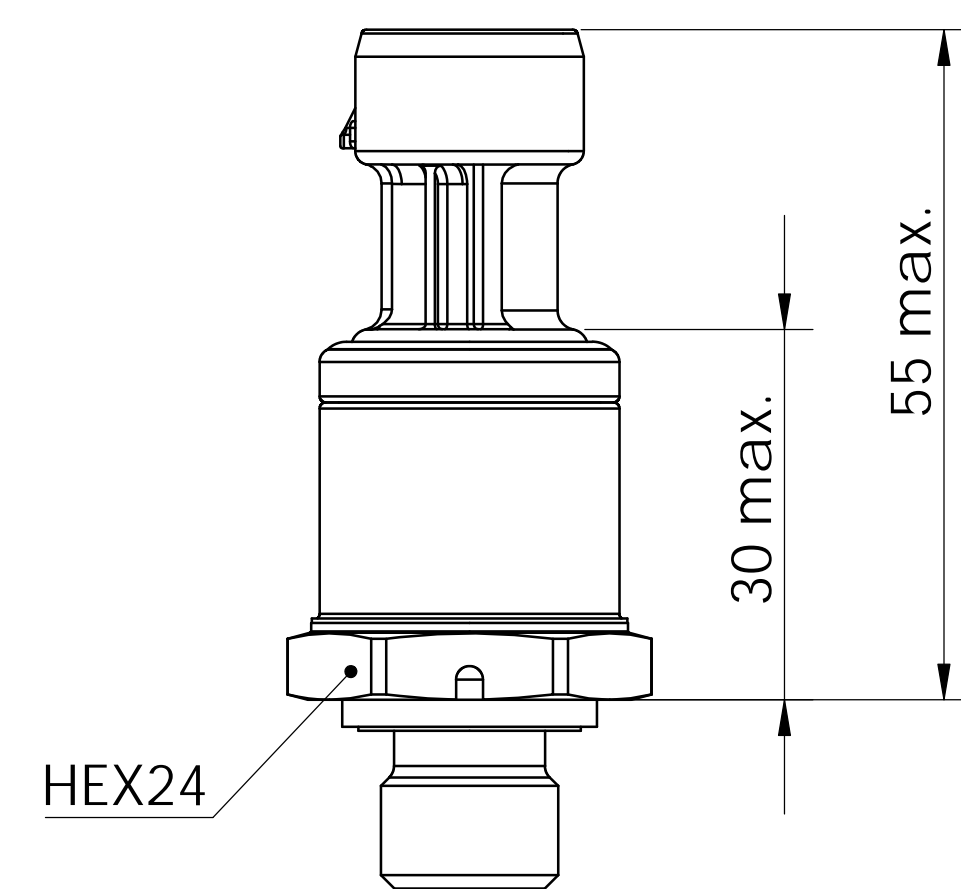
(PRESSURE PORT G1/4A DIN 3852-E SHOWN)

FLY LEAD HARNESS (2m) CONNECTOR



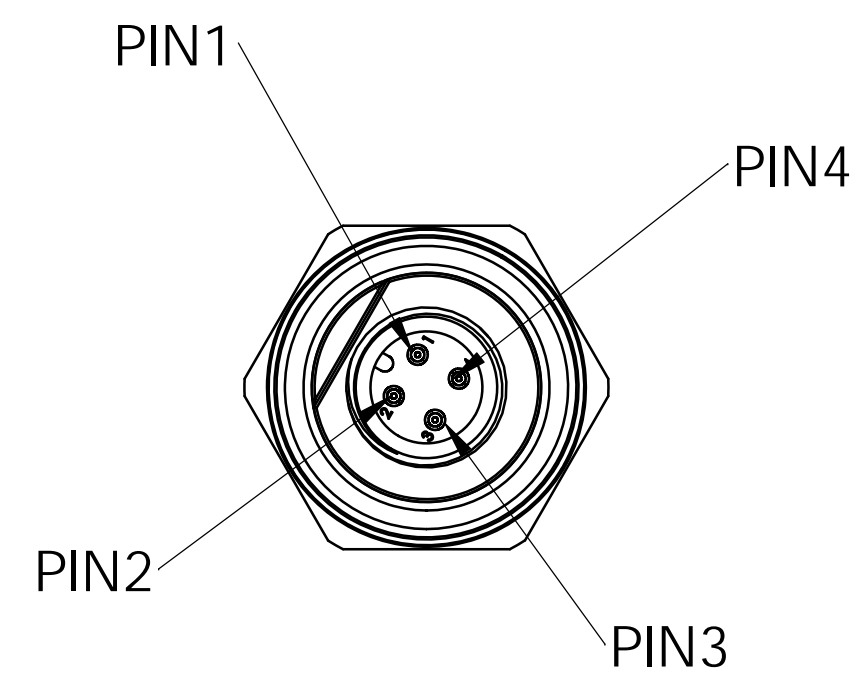
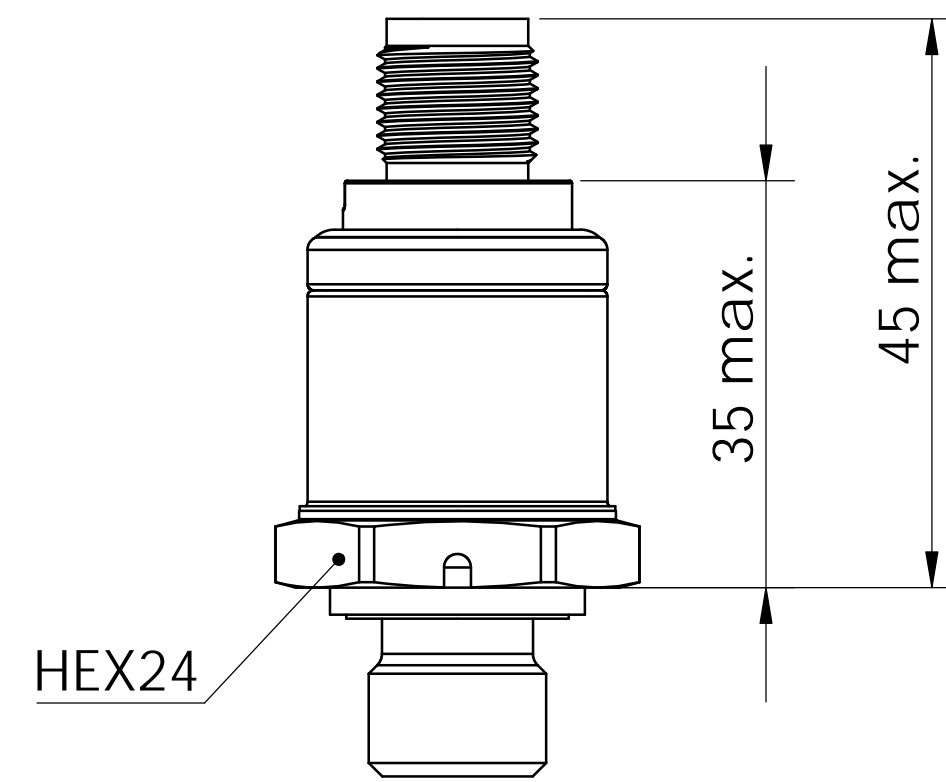
OUTPUT	BLACK	RED	WHITE
VOLTAGE	V-	V+	Vout
CURRENT	Iout	V+	...

PACKARD METRI-PACK 150 CONNECTOR



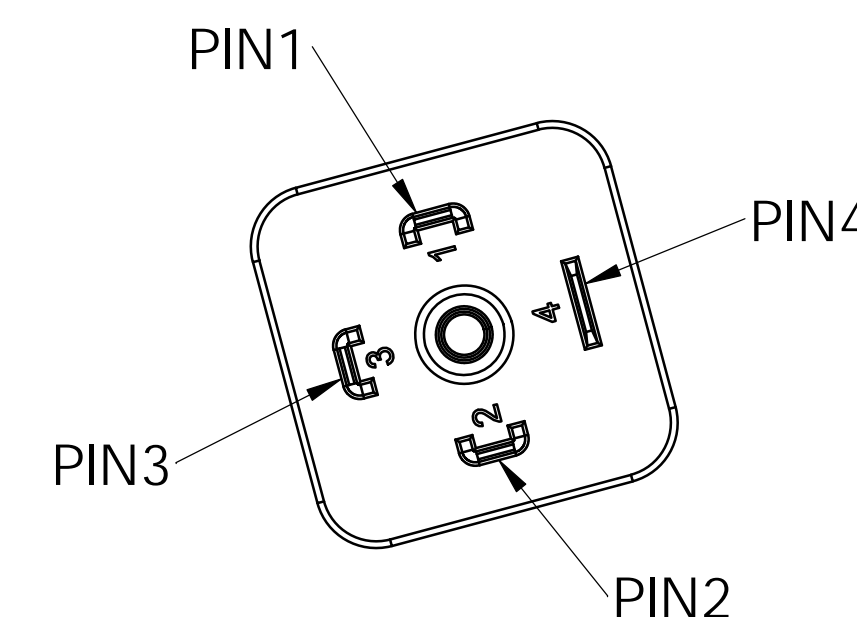
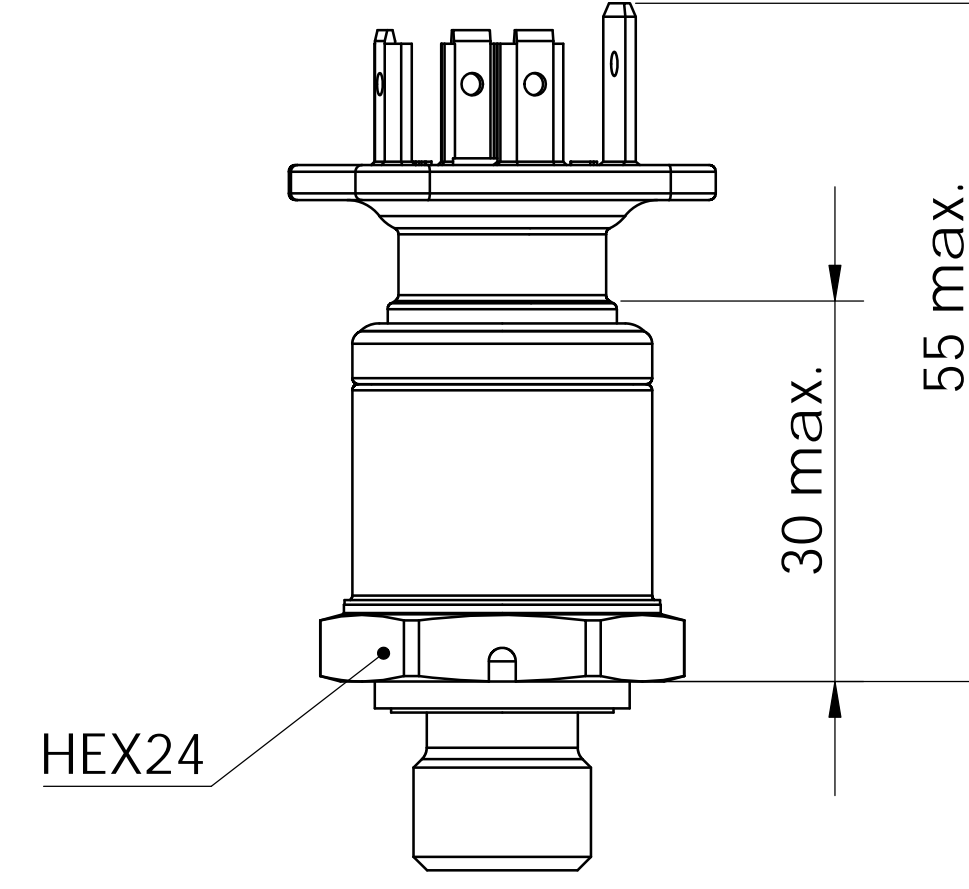
OUTPUT	PIN A	PIN B	PIN C
VOLTAGE	V-	V+	Vout
CURRENT	Iout	V+	...

M12x1 4-POLE CONNECTOR



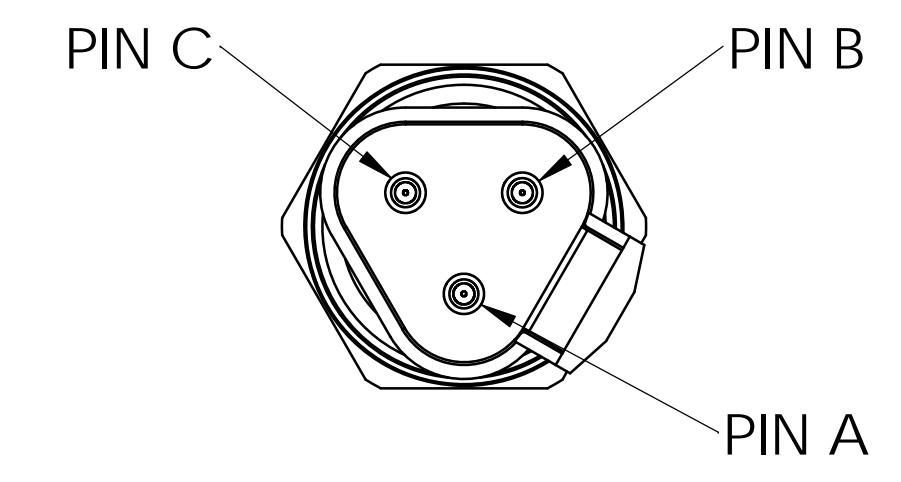
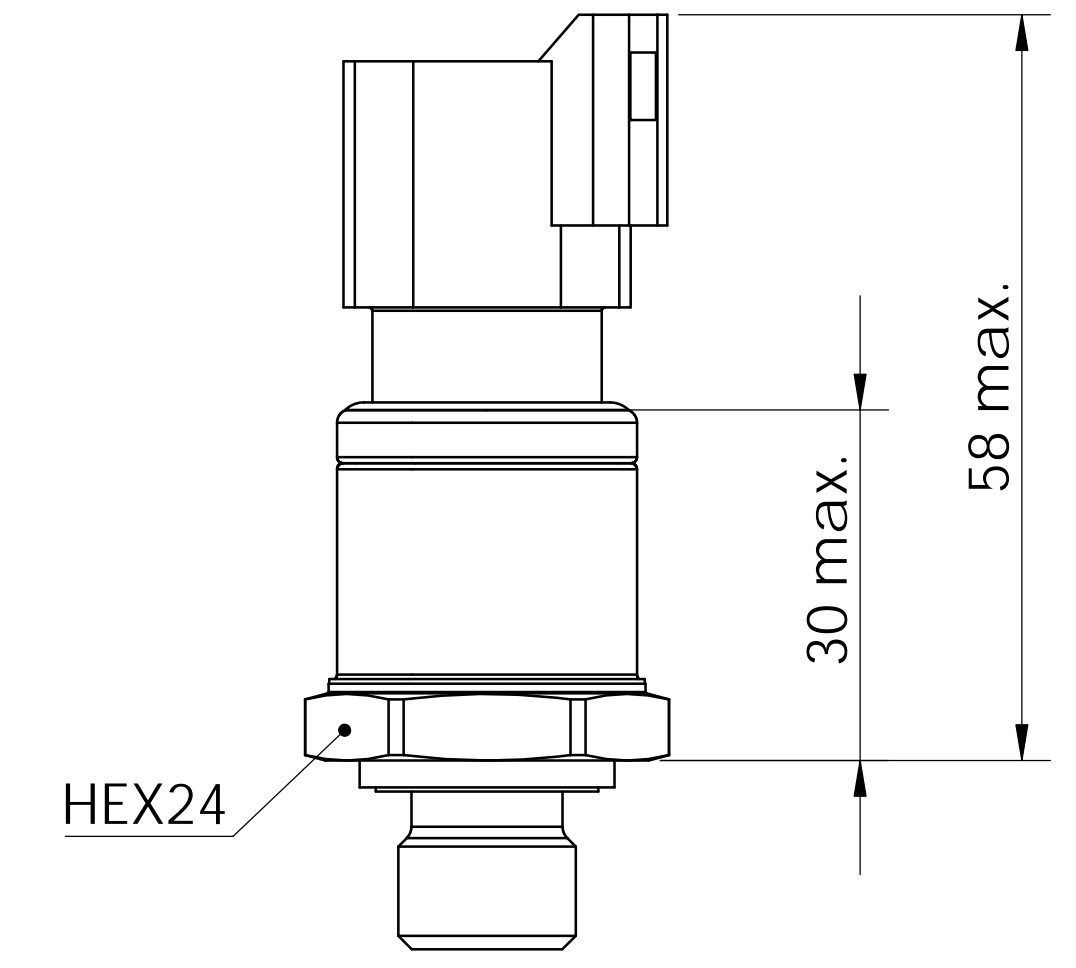
OUTPUT	PIN 1	PIN 2	PIN 3	PIN 4
VOLTAGE	V+	...	V-	Vout
CURRENT	V+	...	Iout	...

DIN 175301-803A 18mm CONNECTOR



OUTPUT	PIN 1	PIN 2	PIN 3	PIN 4
VOLTAGE	V+	V-	Vout	...
CURRENT	V+	Iout

DEUTSCH DT04-3P CONNECTOR



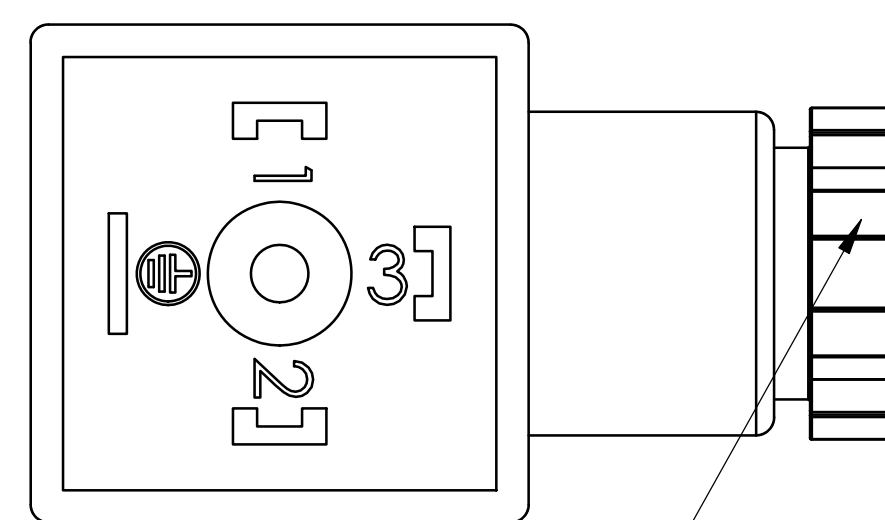
OUTPUT	PIN A	PIN B	PIN C
VOLTAGE	V+	V-	Vout
CURRENT	V+	Iout	...

NOTE:
 V+: Supply Voltage V-: Ground
 Vout: Output Voltage Iout: Output Current
 ...: Not Connected

MATING CONNECTOR OPTIONS

(ONLY DIN 175301-803A 18mm AVAILABLE)

DIN 175301-803A 18mm MATING CONNECTOR



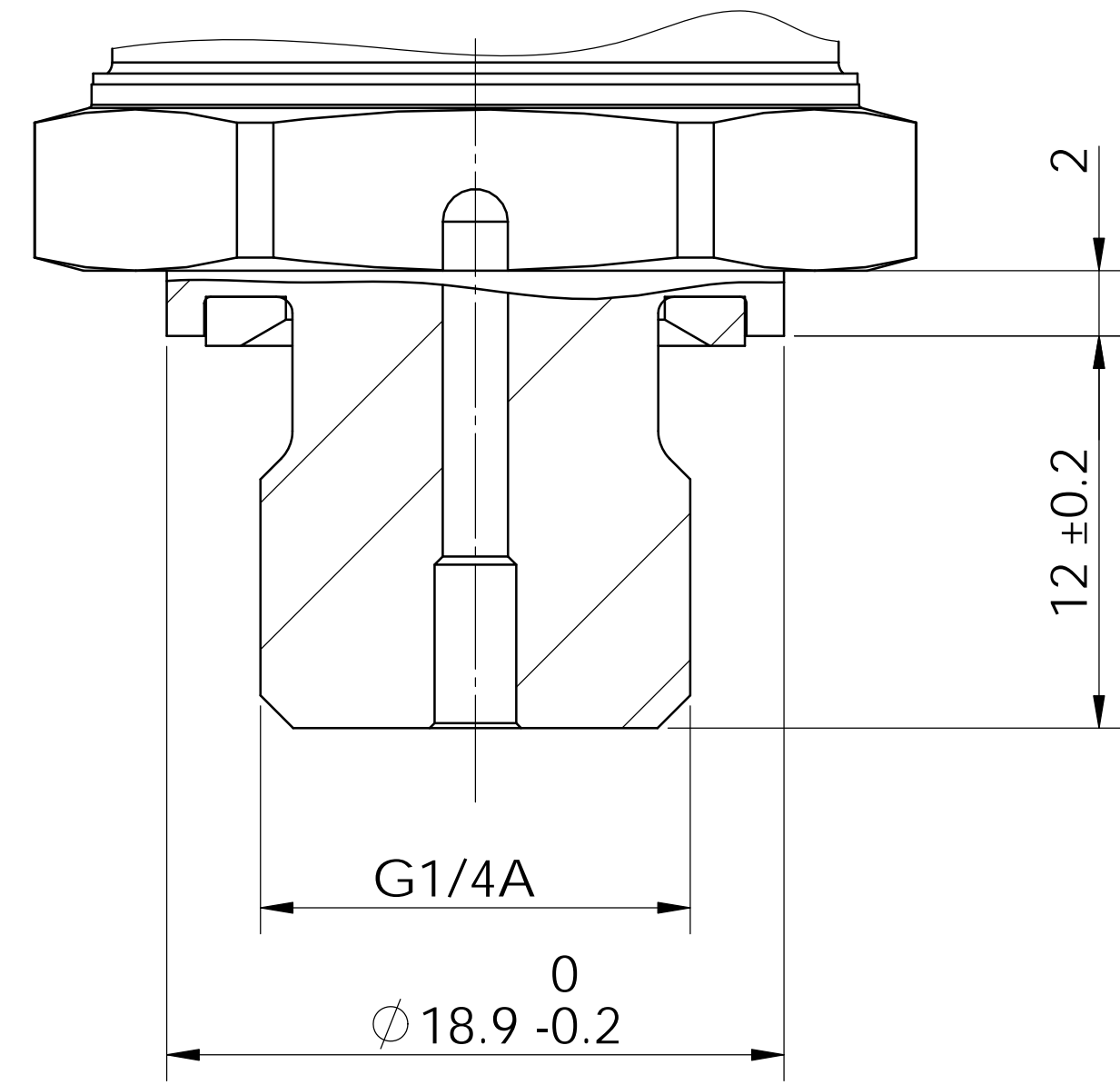
PG9 FOR CABLE ϕ 4.5-7mm

MATING CONNECTOR ASSEMBLY

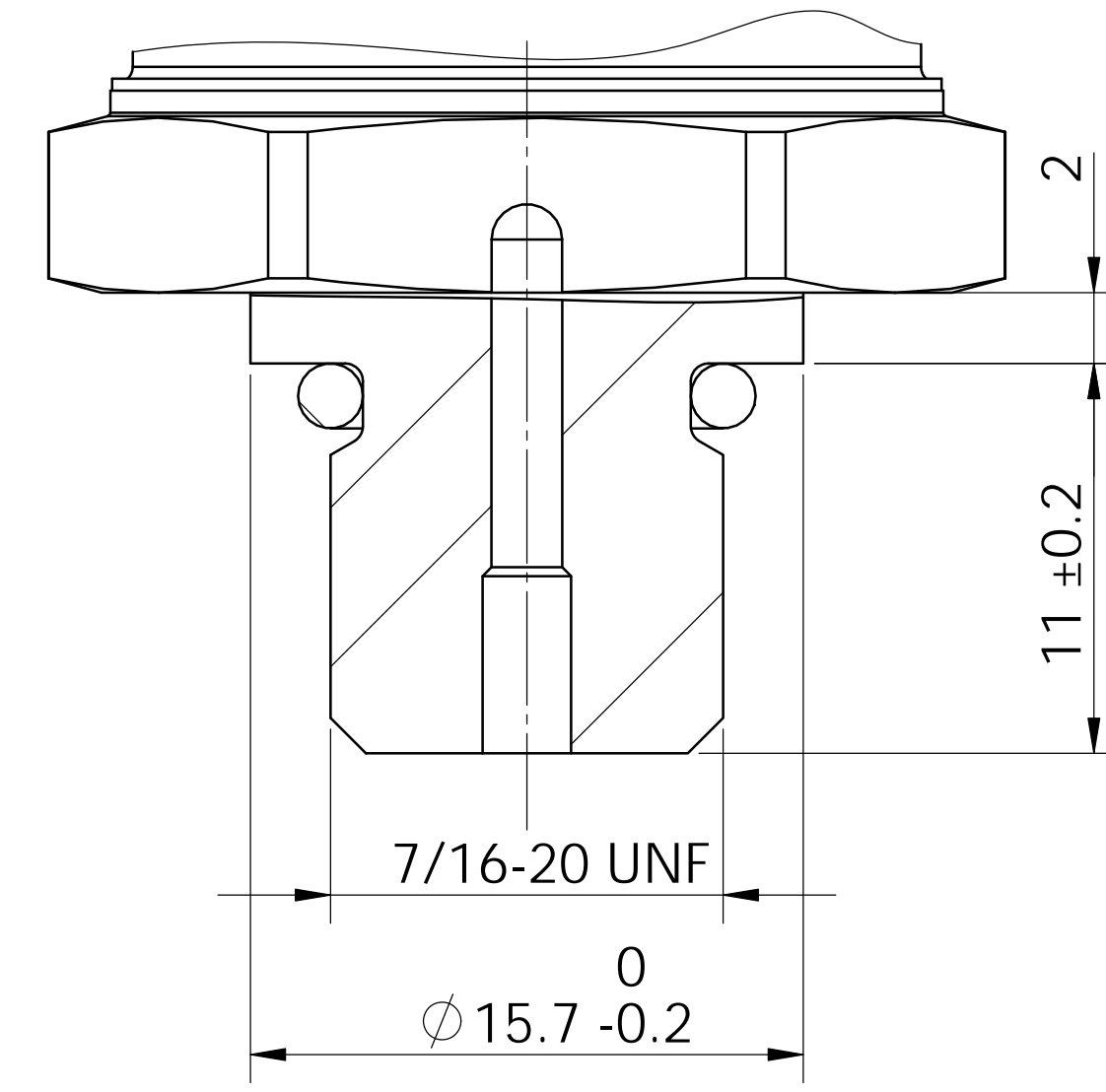


PRESSURE CONNECTION PORT OPTIONS

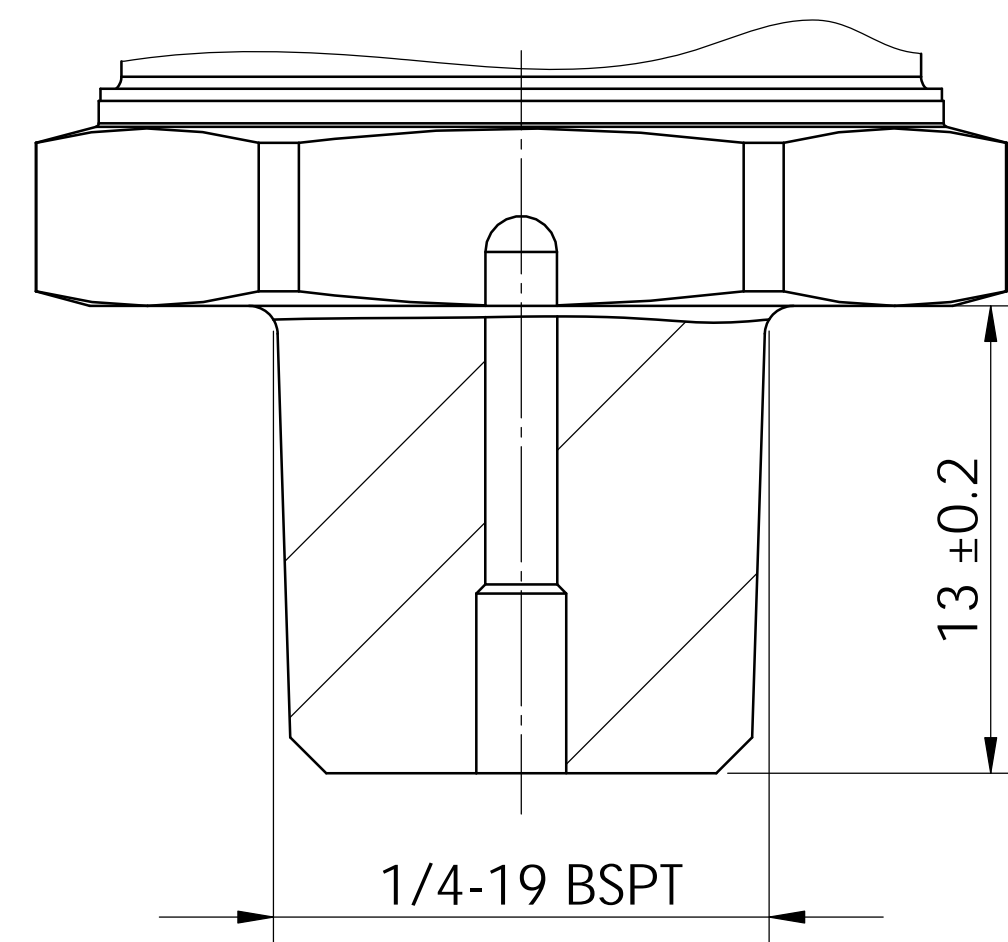
G1/4A (MALE) DIN 3852-E



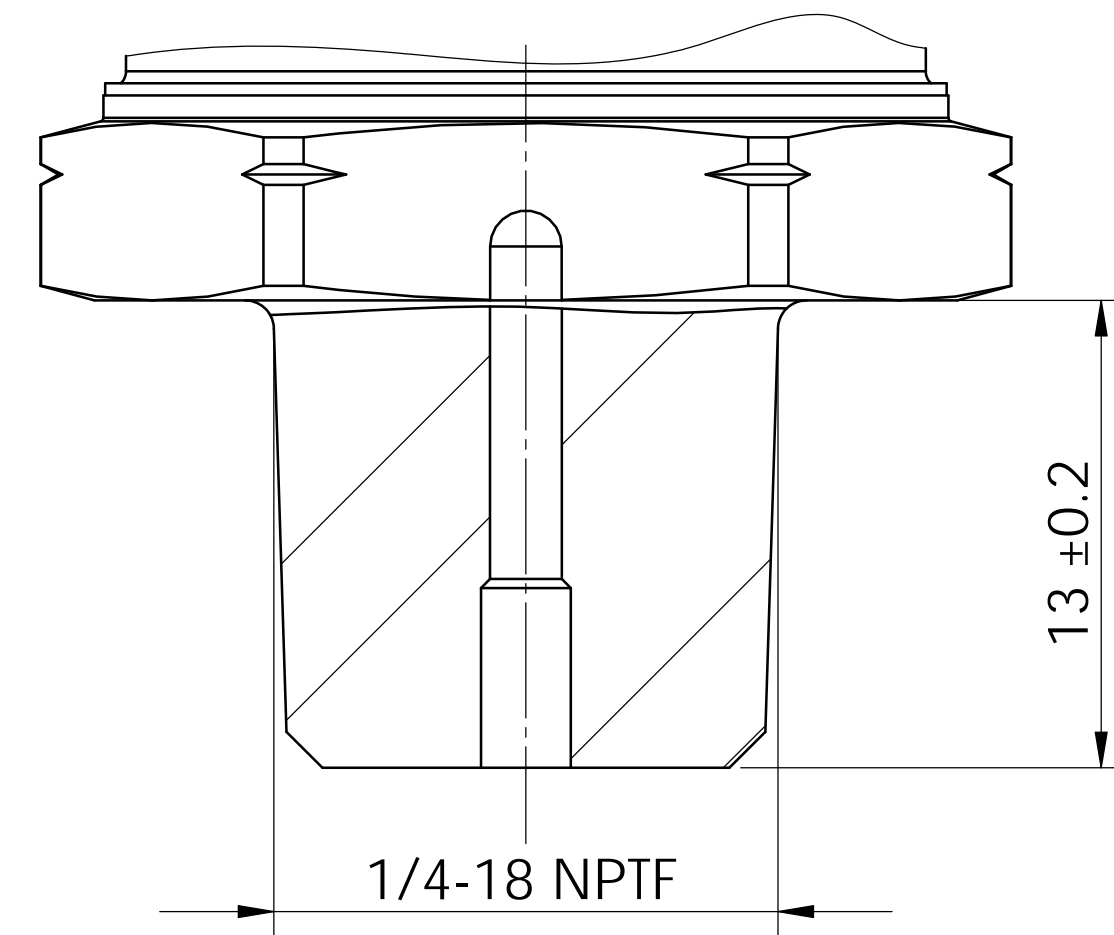
7/16-20 UNF J1926-3



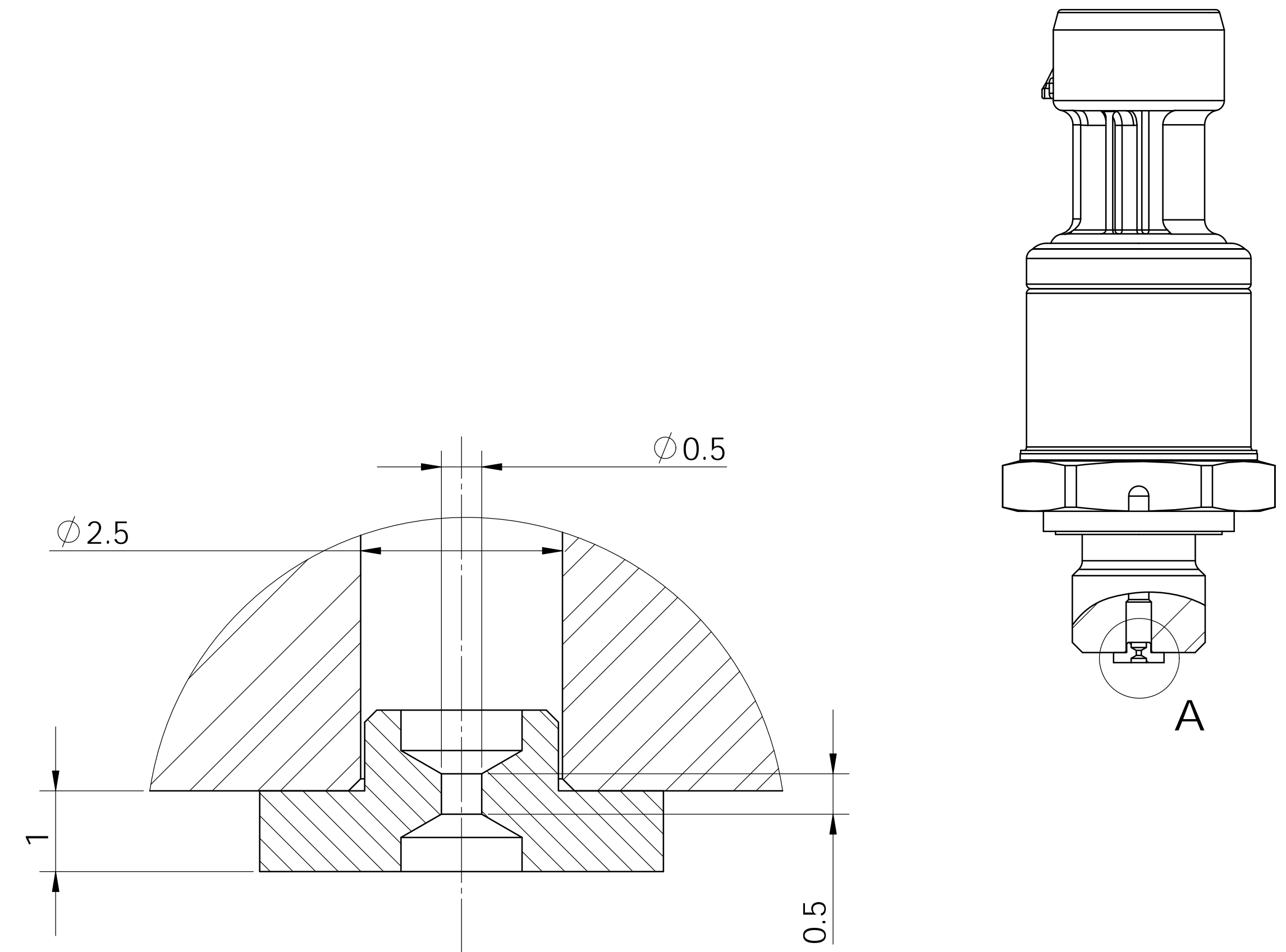
1/4-19 PT (BSPT)(R1/4)



1/4-18 NPTF



SNUBBER OPTIONS (PRESSURE PORT G1/4A DIN 3852-E SHOWN)



DETAIL A
SCALE 16 : 1