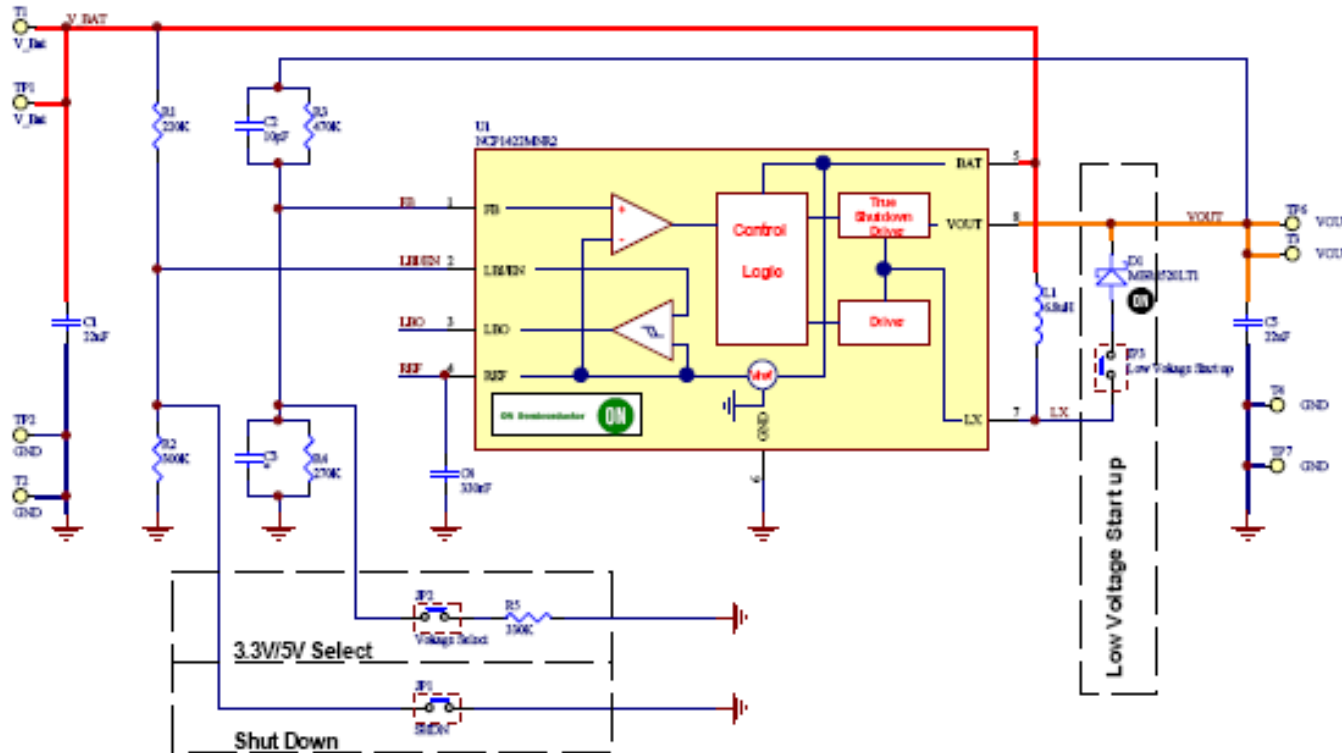




Schematic for the NCP1422GEVB Evaluation Board



800 mA Sync-Rect PFM Step-Up
DC-DC converter with True-Cutoff
and Ring-Killer